

PRODUCT DATA SHEET

Part number 310306

EAN 4015609015528

Manufacturer WALTHER-WERKE

WEEE-Reg.-Number: DE 22131895

Product description

Coupler 16A 3P 6h with external grommet



Product image

Detailed product description

WALTHER Coupler 16A 3P 230V 6h IP44

made from PA6 material

with screw terminal

with and an injected 2K seal

Increased safety due to two contact screws.





Ordering Information

Order unit	Piece
Customs number	85366990
Net weight	0,1503 kg
Packing quantity (VPE)	10
Length of the packaging	0,31 m
Width of the packaging	0,163 m
Depth of the packaging	0,113 m
Gross weight(VPE)	1,615 kg

Certificates

VDE certification 123016



UL certification	No. E329476	
CQC certification	2004010203136970	
EAC certification	BY112.02.01.020 06101	
CSA certification	70096522	

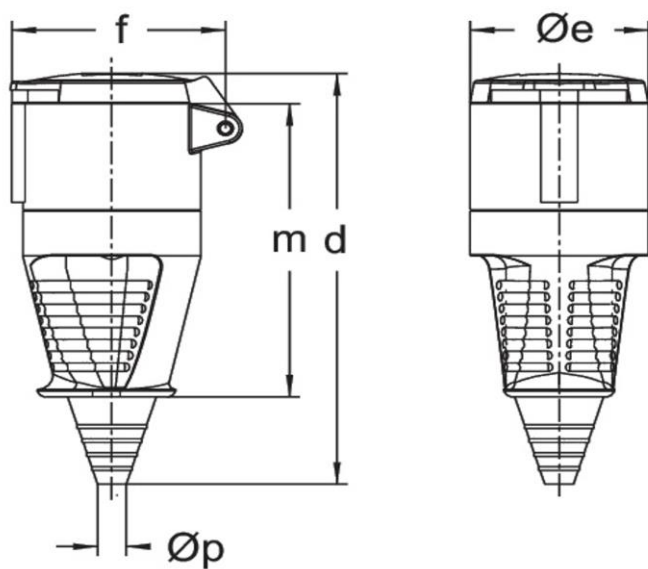
Classification system

Classification system	ETIM_6.0
ETIM Class	EC001320

Technical product data

IEC-amperage	16 A
Amperage acc. UL/CSA (for UL-version)	20 A
Number of poles	3
Voltage acc. EN 60309-2	230 V (50+60 Hz) blue
Clock hour position	6 h
Identification colour	Blue
RAL-number	5002
Degree of protection (IP)	IP44
Connection system	Screwed terminal
Angle of plug	Straight
Cable entry	Anti-kink sleeve
Material	Plastic

Dimension sheet



Amp.	16
Pole	3
d	154
Øe	51
f	68
m	109
Øp	7/13