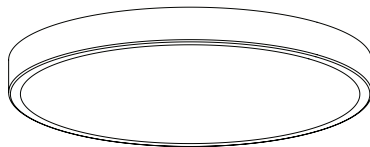


INSTALLATION GUIDE

Large Canopy



Thoughtful lighting, responsibly designed in London.

Thank you for making the switch to Tala.
Discover the full Tala family at tala.co.uk

BEFORE STARTING

We recommend the installation of our Canopy and Pendants is performed by a qualified electrician. Please read the instructions thoroughly before commencing work and keep them for future reference. Please take extreme care when carrying out these instructions.

IMPORTANT

This light fitting must be connected to the earth supply. If your lighting circuit does not have an earth, ask a qualified electrician to provide an earth facility. This light fitting is suitable for indoor use only. This fitting operates on 240V mains voltage. For a list of recommended dimmers to pair with this light fitting, please visit our website.

WARNING

You must switch off electricity supply at the mains during installation and maintenance. We strongly recommend that you withdraw the fuse or switch off the circuit breaker whilst work is in progress. Do not only turn off the wall switch. All fittings must be installed in accordance with current Building Regulations and IEE Wiring Regulations.

RECOMMENDED EQUIPMENT

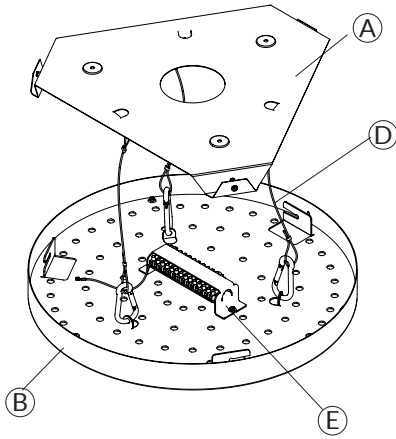
- Small Flat-head and Phillips-head screwdriver
 - Wire strippers
 - Insulation tape
 - 17mm spanner
 - 7mm spanner
 - Power drill with 10mm and 5mm drill bit
- (Always use the correct drill bit for the material)

SKU - CP-OAK-LRG-01-EU
SKU - CP-WALT-LRG-01-EU
SKU - CP-ASH-LRG-01-EU

Further equipment may be required for fixing to your ceiling.



LARGE CANOPY - PROVIDED COMPONENTS



(A) x1 Ceiling Bracket

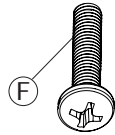
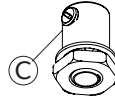
(B) x1 Ceiling Plate

(C) x12 Cord Grips

(D) x3 Safety Teathers and Clips

(E) x1 Junction Box

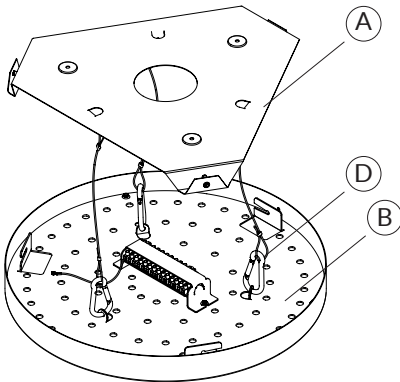
(F) x1 M4 20MM Bolt

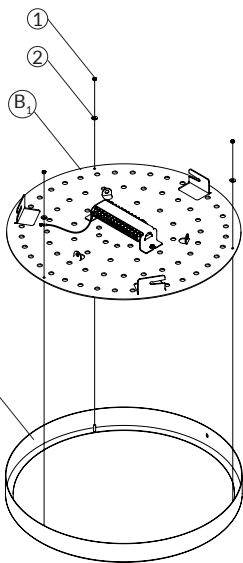


STEP 1

Unhook the three safety tethers from the plate (B)

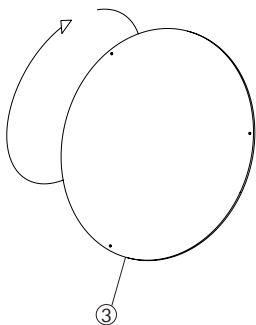
Set ceiling bracket (A) with tether (D) to one side.





STEP 2A - REVERSE OR REPLACE DISPLAY PANEL (OPTIONAL)

Remove panel (B₁) and display disk (3) by loosening nut (2) and washer (1)

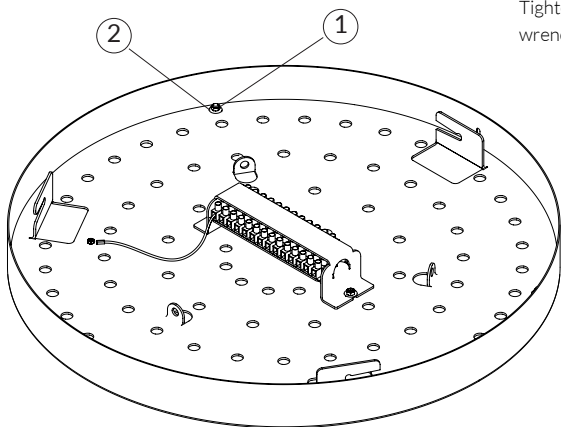


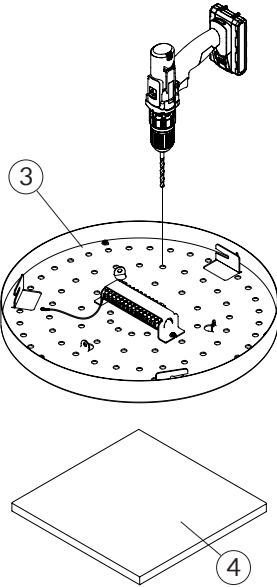
To display the alternative finish, rotate disc (3) 180 degrees. Note, not all display panels have an alternative finish.

STEP 2B

Re-assemble the plate in the same order and fasten it securely with nuts (1) and washers (2)

Tighten these firmly with a spanner/ wrench

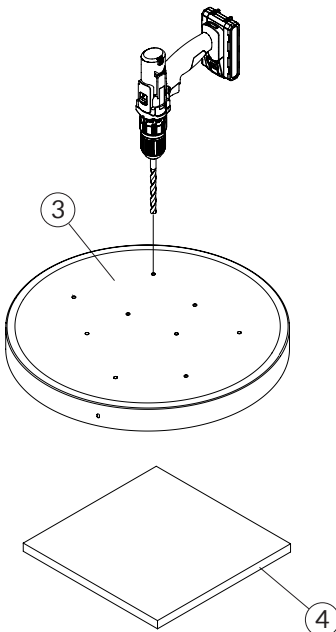




STEP 3

Once you have chosen the hanging positions of your pendants, with a 5mm drill bit, drill small pilot holes through panel from the back side ③

Please take your time drilling these holes. We recommend you clamp the plate onto a sacrificial surface ④. This will stop the plate moving and help give a clean hole on the front surface.



STEP 4

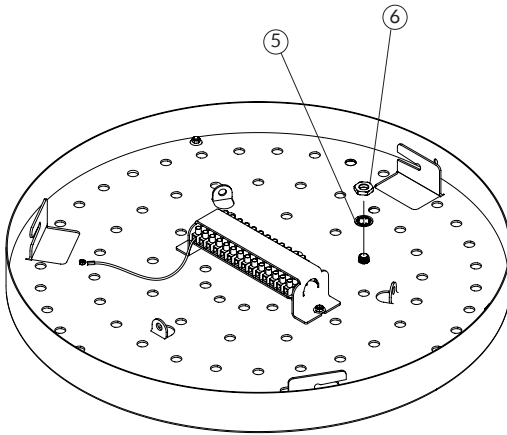
Flip the panel ③ over to the visible side and, using a 10mm drill bit, drill final holes through the pilots on the visible side.

Again we recommend using a sacrificial surface.

STEP 5

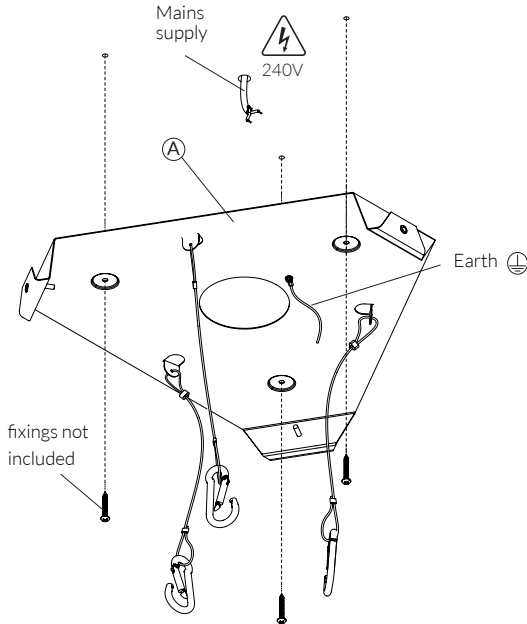
Fasten cord grips through the holes you have drilled using the toothed washers (5) and nuts (6)

Tighten these firmly with a spanner/wrench.



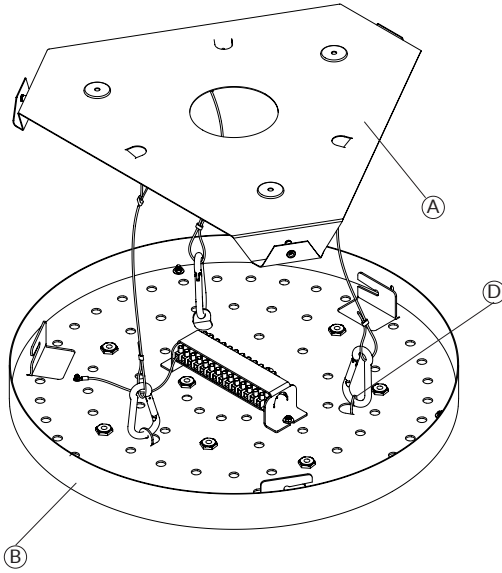
STEP 6

Attach (A) to the ceiling using screws and plug. Make sure to use screws and plugs that are appropriate for the ceiling type.



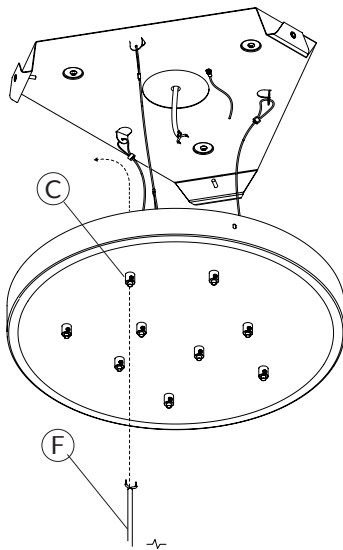
STEP 7

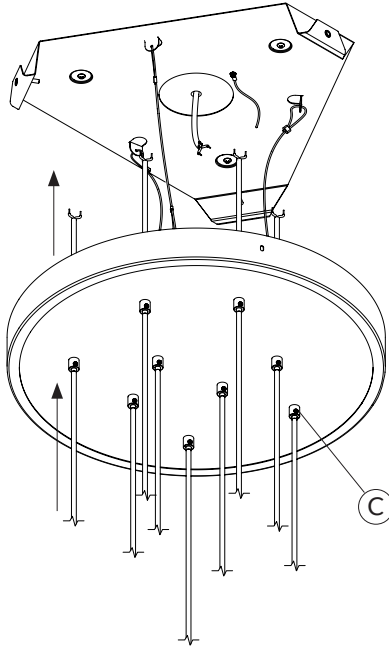
Attach the ceiling plate (B) to the ceiling bracket (A) using the tether clips (D)



STEP 8

Thread all pendant cables (F) through ceiling plate cord grips (C)



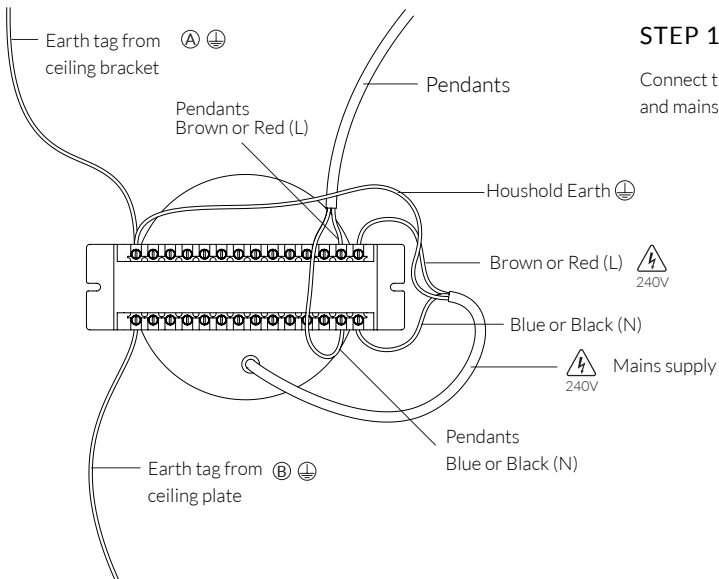


STEP 9

Pull cables through to your desired length. Using a flat head screwdriver, tighten set screws (C) to secure them in place.

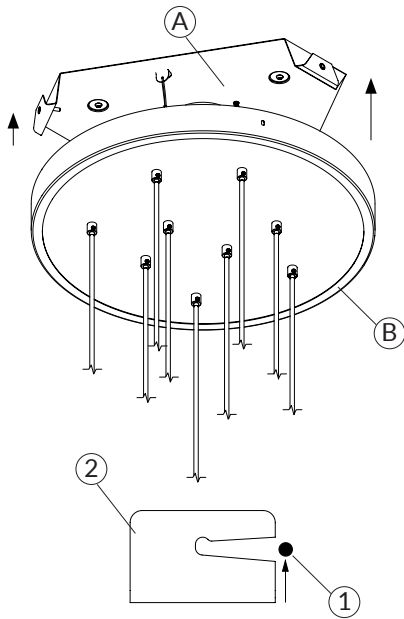
STEP 10

Cut off excess cable and strip wires to expose the copper core. Maintain all double insulation.



STEP 11

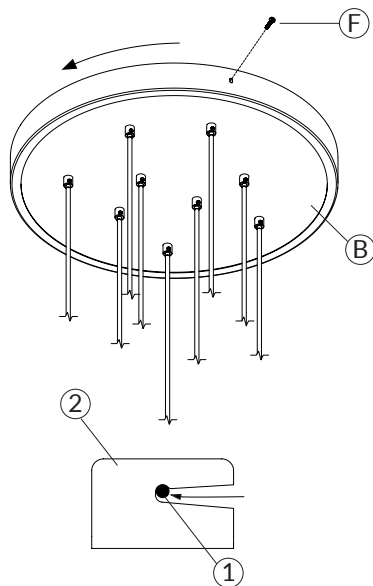
Connect the Pendants, Plate and mains wiring as shown.



STEP 12

Lift (B) to sit flush with (A)

Make sure the pins (1) are located at the opening of the bayonet fitting (2)



STEP 13

Rotate Plate (B) anti-clockwise until the pin (1) is locked into place using the bayonet mechanism (2)

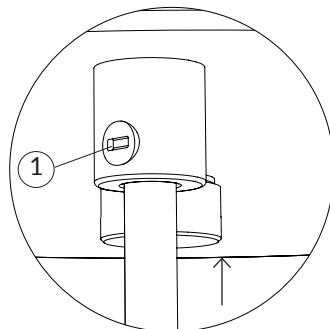
Secure the plate (B) in place using bolt (F)

PENDANT DISPLAY GUIDE

ADJUSTING THE CORD

To adjust the cord to your desired length, using a flat head screw driver, loosen the grub/set screw ① and push the cable up into the ceiling plate.

Secure the cable in place by re-tightening the grub screw. Maintain all double insulation.



MINIMUM CORD LENGTH ①

For all bulbs shortest recommended cord length is **350mm**

DISTANCE BETWEEN PENDANTS ②

Recommended minimum distance between pendant, dependant on bulb style, are as follows:

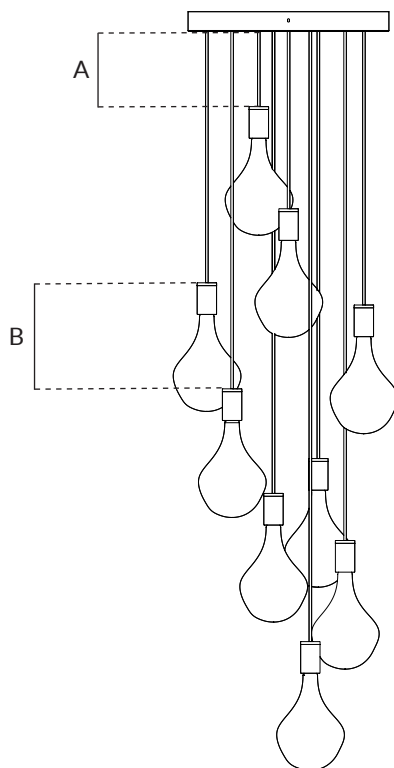
Voronoi I - **150mm**

Voronoi II - **200mm**

Voronoi III - **350mm**

Basalt - **100mm**

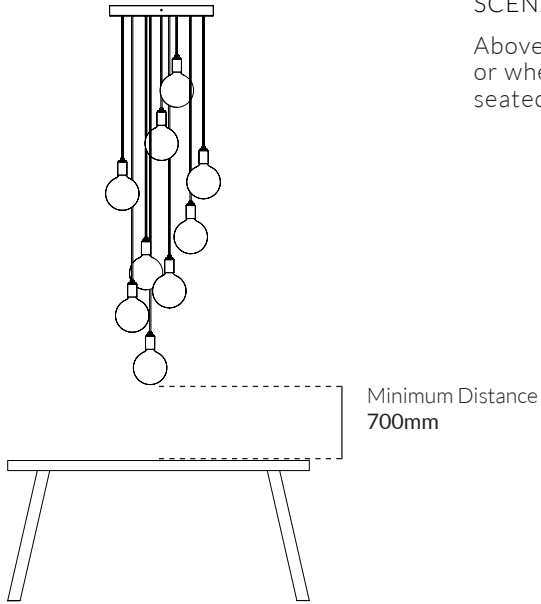
All other bulbs - **100mm**



PENDANTS - RECOMMENDED CABLE LENGTHS

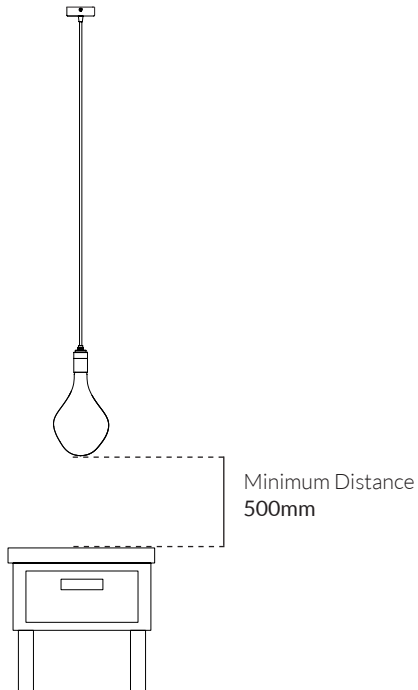
SCENARIO 1

Above a coffee or dining table, or where height is required for seated tasks



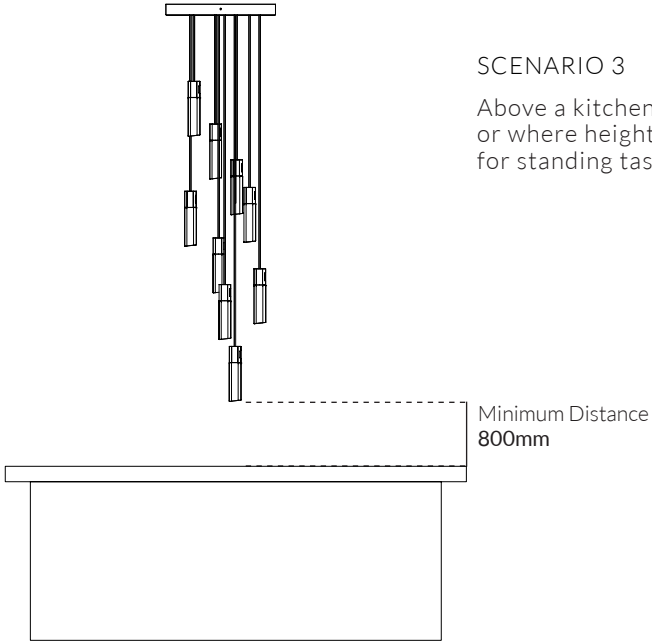
SCENARIO 2

Above side tables, or where height is required for storage



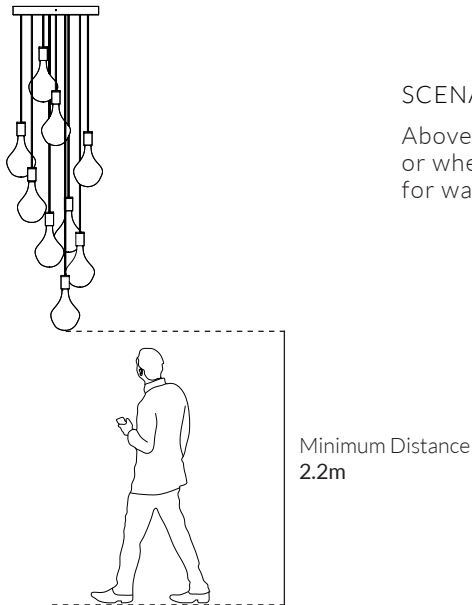
SCENARIO 3

Above a kitchen island or bar,
or where height is required
for standing tasks



SCENARIO 4

Above a stairwell or walkway,
or where height is required
for walking underneath



CARE AND CLEANING

We recommend cleaning with a soft dry cloth. Do not use abrasive materials as these will damage the finish of the product. Do not expose any part of the bulb or pendant to water or moisture.

WARRANTY AND AFTER-CARE

This product is covered by a three year warranty. Within this time, we will replace any parts that show functional defects or malfunctions. Please report any signs of fault or damage to our Customer Service team, along with supporting visual evidence, by emailing: customerservice@tala.co.uk

Join the Community

Instagram: @tala | Facebook: talaHQ | Pinterest: TalaLED | Tag: lighttoliveby
Tala Studios, 25B Vyner Street, London E2 9DG | +44 20 3026 3246 | hello@tala.co.uk