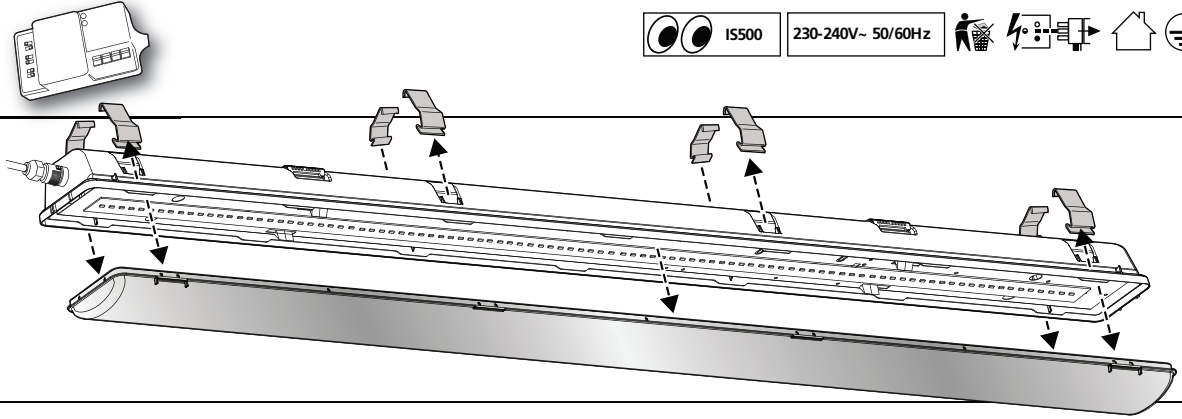
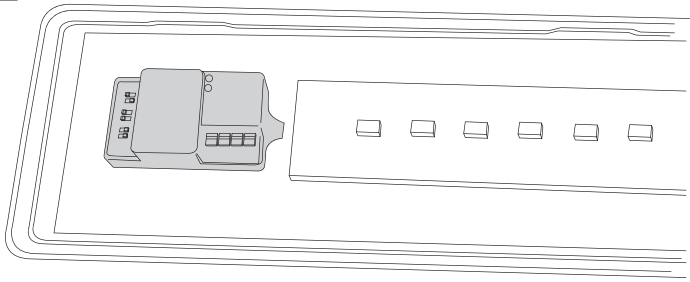




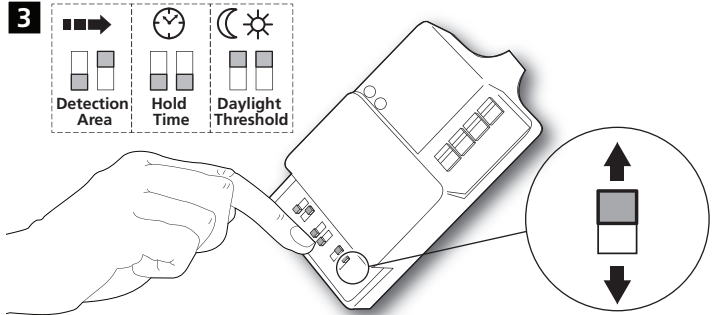
1



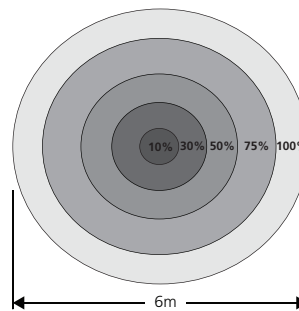
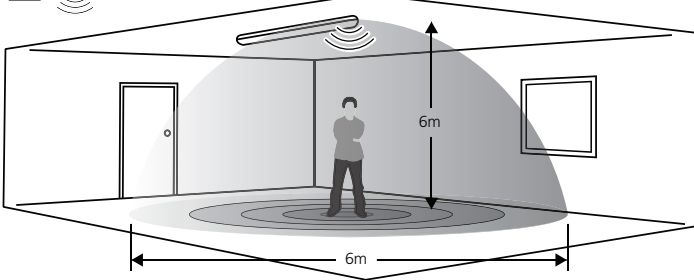
2 Microwave Sensor



3



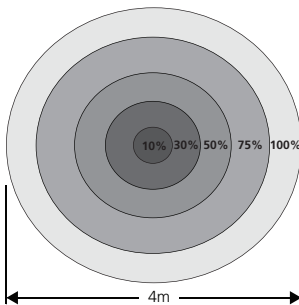
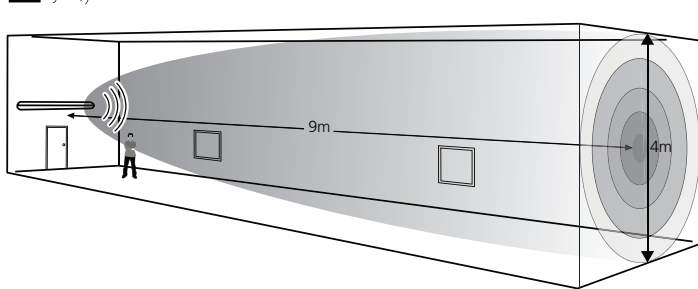
4 Ceiling Mounted



5 Detection Area

	1	2	
I	●	●	100%
II	○	●	75%
III	●	○	50%
IV	○	○	10%

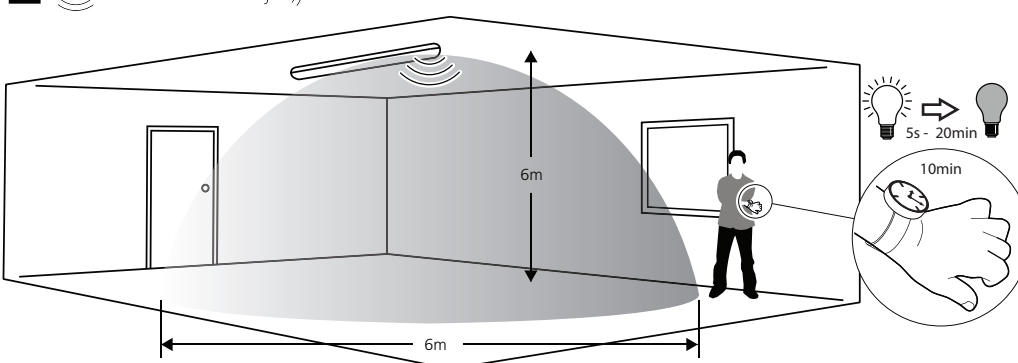
4 Wall Mounted



5 Detection Area

	1	2	
I	●	●	100%
II	○	●	75%
III	●	○	50%
IV	○	○	10%

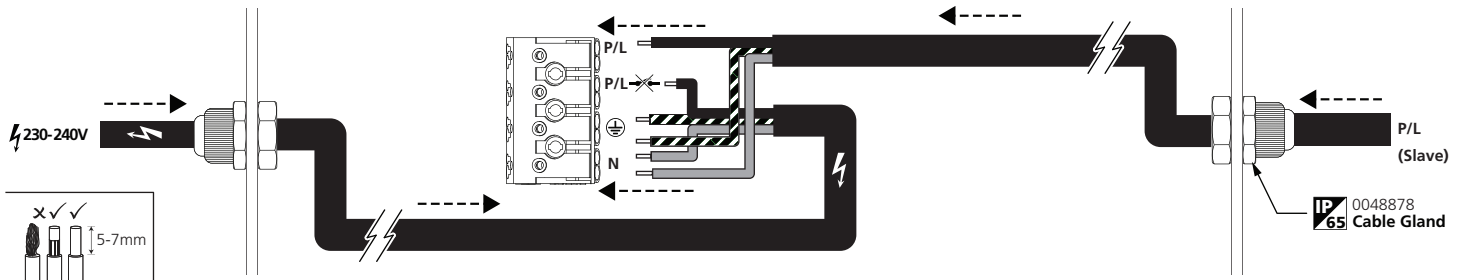
6 Ceiling Mounted + Wall Mounted



7 Hold Time

	3	4	
I	●	●	5s
II	○	●	5min
III	●	○	10min
IV	○	○	20min

1 Master Slave Connection



2 1.6A (Max.)

