

SQUBE ON BASE 1.0

25-Oct.-2016

1.0 LED

LED 6W | 220-240VAC | 50-60Hz | COB 3-step | incl. PS

CE IP20 0,3m 36° P 90°

white texture	144264W
black texture	144264B

LIGHT COLOUR

2700K >80CRI 480lm phase-cut dim	2
3000K >80CRI 480lm phase-cut dim	4

2200K >80CRI 315lm no dim	1
---------------------------------	---

white texture	144263W1
black texture	144263B1

1.0 PAR16

PAR16 max. 35W | GU10 | 220-240VAC | 50-60Hz

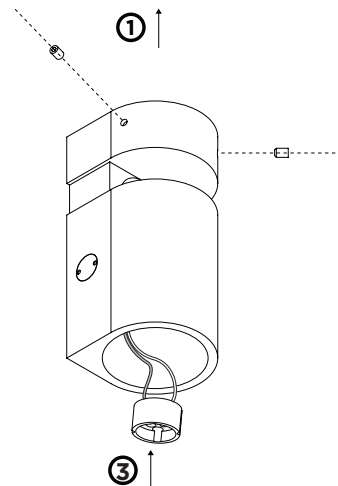
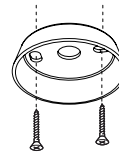
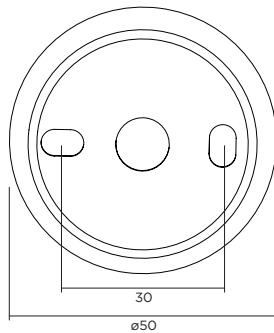
CE IP20 0,9m 36° P 90°

white texture	144220W0
black texture	144220B0

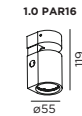
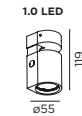
OPTIONAL

for PAR16 lamps see our catalogue

base plate dimensions



DIMENSIONS

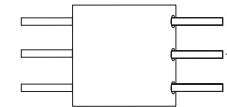


MOUNTING INSTRUCTION

- 1 Remove the screws, put the cables through the opening and mount the base on the ceiling.

POWER CONNECTION

- 2 Interior: connection: STANDARD version



Mount the fixture again with the screws on the base.

- 3 For PAR16: mount the lamp.



WEVER & DUCRÉ
LIGHTING

www.weverducre.com

INSTALLATION
INSTRUCTIONS