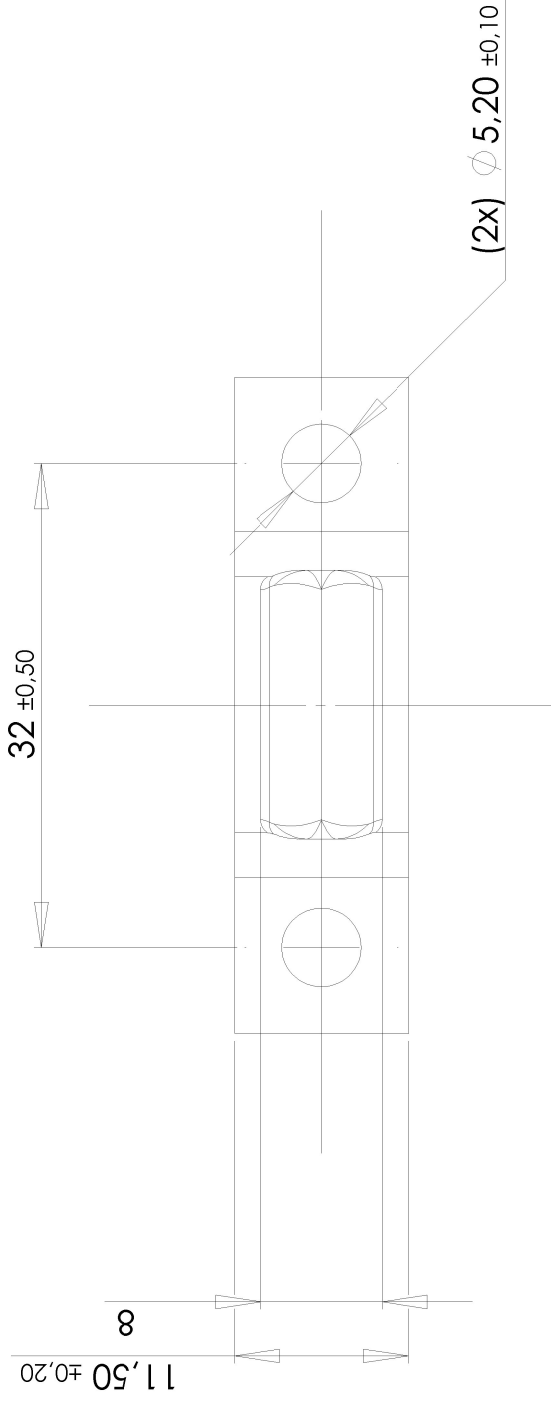
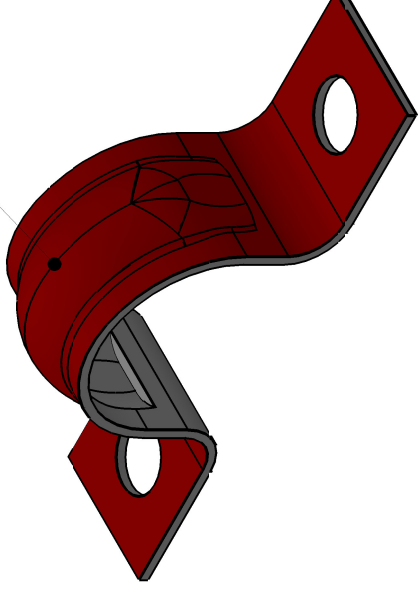


STAMPED



- DEBUR AND BREAK SHARP EDGES.
 - UNLESS OTHERWISE SPECIFIED, DIMENSIONS ARE IN MILLIMETER.
 - DO NOT SCALE DRAWING.

SURFACE FINISH:
 INTERNAL : WHITE
 EXTERNAL : RED

DATE
 08/08/2010

SCALE
 2:1

TITLE
 10000-01

MATERIAL:
 STEEL

DWG NO.

10000-01

A3

SHEET 1 OF 1

REVISION

Gsv
 Middelmolenlaan 20
 Belgium
 Tel: +32 3 326 50 77
 Fax: +32 3 326 49 23
 Mail: info@gsv.be