

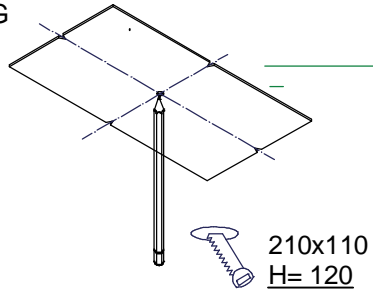
Mini multiple for smartrings 2x LED GE

125250XX_125251XX_125252XX

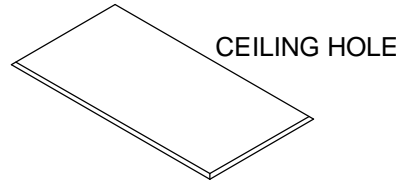
Lamp type: LED

Don't connect the gear to 230V before the LEDs are connected to the gear!

1 CEILING

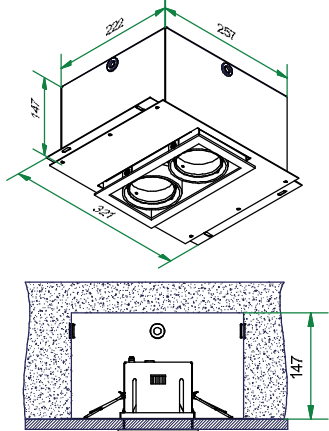


2

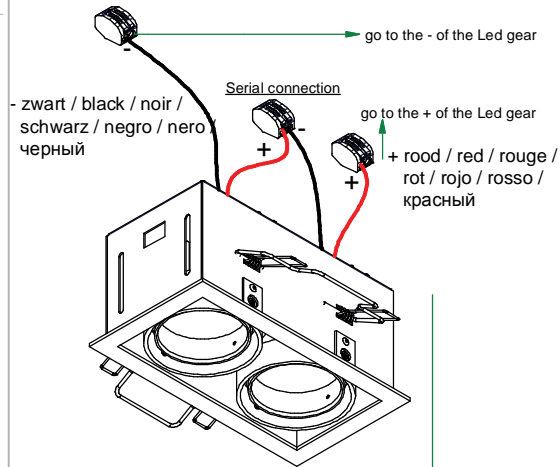
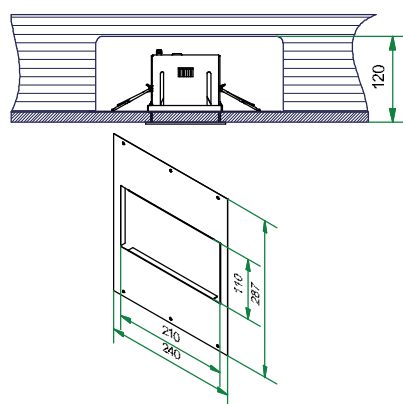


350mA - min 33Vf - max 38,4Vf - 12,4W
500mA - min 34,2Vf - max 39,6Vf - 18,4W

Conbox has to be combined with gypkit !!!
10400230+10420230

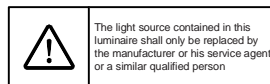


Gypkit :10420230 Mini-multiple 2x gypkit

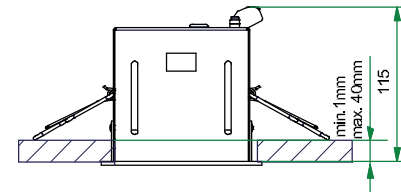
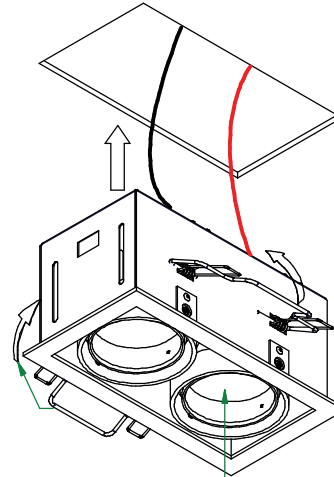


TO BE USED WITH:

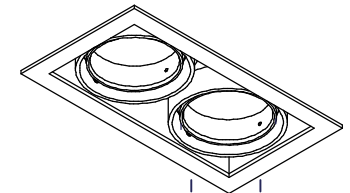
Drivers:
see driver matrix - latest version on website
www.supermodular.com or check sales contact



3



4



Frontring Smart flatring Turn

Frontring Smart kup-Cake-Lotis ring Push

CAN BE USED WITH

10400230	Conbox 257x222x147x321	
10420230	Gypkit 240x287x210x110	
10212613	Color filter DIA 70 Red	Only for Frontring Smart flat
10212614	Color filter DIA 70 Yellow	
10212616	Color filter DIA 70 Blue	
10212615	Color filter DIA 70 Green	
10212602	Honeycomb DIA 70	
12553002	Frontring Smart flat medium black	
12553006	Frontring Smart flat medium white struc	
12553102	Frontring Smart flat flood black	
12553109	Frontring Smart flat flood white struc	
12553202	Frontring Smart flat spot black	
12553209	Frontring Smart flat spot white struc	
12554202	Frontring Smart cake spot black	
12554209	Frontring Smart cake spot white struc	
12554002	Frontring Smart cake medium Black	
12554009	Frontring Smart cake medium WhStr	
12554102	Frontring Smart cake flood Black	
12554109	Frontring Smart cake flood WhStr	
12555202	Frontring Smart lotis spot black	
12555209	Frontring Smart lotis spot white struc	
12555002	Frontring Smart lotis medium Black	
12555009	Frontring Smart lotis medium WhStr	
12555102	Frontring Smart lotis flood Black	
12555109	Frontring Smart lotis flood WhStr	
12556202	Frontring Smart kup spot black	
12556209	Frontring Smart kup spot white struc	
12556002	Frontring Smart kup medium Black	
12556009	Frontring Smart kup medium WhStr	
12556102	Frontring Smart kup flood Black	
12556109	Frontring Smart kup flood WhStr	

