

Date _____

Name _____

Client _____

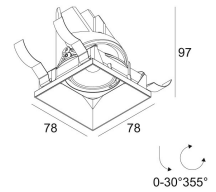
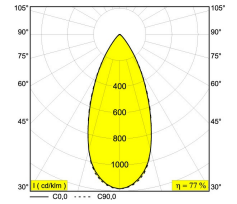
Project name _____

Quote# _____

Type/Quantity _____

ENTERO SQ-S TRIMLESS TW 96545 28527 9030

[Weblink](#)



| | |
|----------------------|---|
| Opening formaat: |  Ø KIT mm |
| Inbouwdiepte: | 110 mm |
| Beschikbare kleuren: | ZWART (28527 9030 B) WIT (28527 9030 W) GOUD KLEUR (28527 9030 GC) |

ADJUSTABLE 0-30°/355°
1 x LED 9W / CRI>90 / 2700-6500K / 1087lm
REFLECTOR WFL-45°
EXCL.LED POWER SUPPLY 500mA-DC TW
Optional REFLECTOR 20° available

| | |
|---------------|---|
| LED Technics: | Lichtbron: 1087 lm // 9 W // 121 lm/W Luminaire: 841 lm // 10 W // 81 lm/W |
|---------------|---|

| | |
|---------|-----|
| Klasse: | III |
|---------|-----|

| | |
|-------------------|---------|
| Gewicht: | 0.24 KG |
| Protection level: | IP20 |
| Minimumafstand: | n.v.t. |

| | |
|---------------|---|
| Energy Class: | E |
|---------------|---|

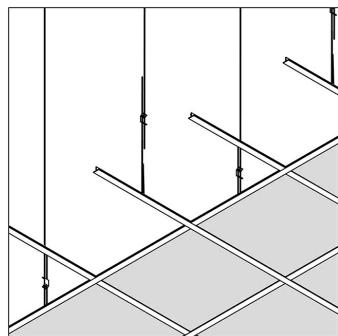
| | |
|--------------|--|
| Accessoires: | ENTERO S HONEYCOMB ENTERO S LINEAR SPREAD LENS ENTERO S SPREAD LENS ENTERO S SOFTENING LENS ENTERO S GLASS SBL |
|--------------|--|

| | |
|---------------|--|
| Benodigheden: | MOUNTING KIT ENTERO SQUARE S LED POWER SUPPLY 500mA-DC TW |
|---------------|--|

Voor gedetailleerde installatie-instructies, raadpleeg de handleiding: [28527_XXX0_HAND.pdf](#)

ENTERO SQ-S TRIMLESS TW 96545
28527 9030

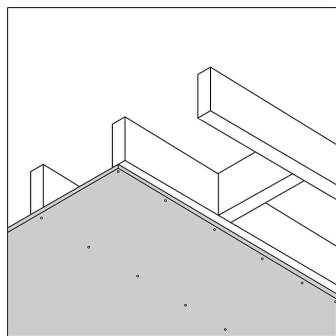
Plafond mogelijkheden



Systeemplafond

Aleen met

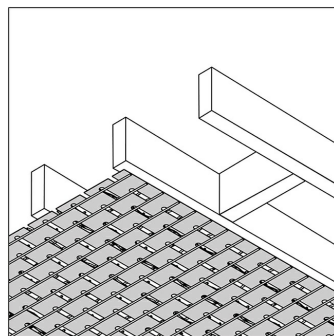
MOUNTING KIT ENTERO SQ-S



Gipsplaat

Aleen met

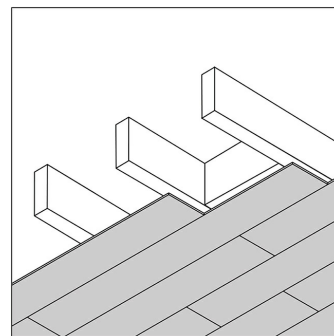
MOUNTING KIT ENTERO SQ-S



Stucanet

Aleen met

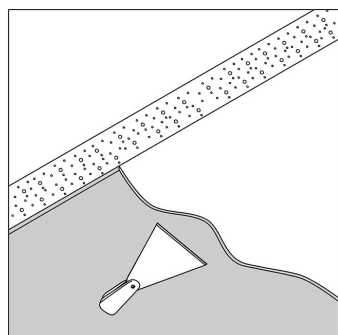
MOUNTING KIT ENTERO SQ-S



Hout

Aleen met

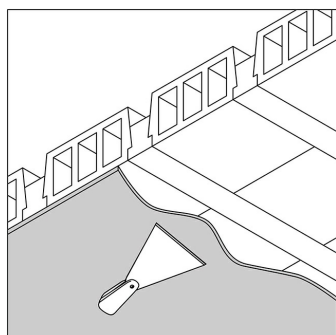
MOUNTING KIT ENTERO SQ-S



Beton + pleister

Aleen met

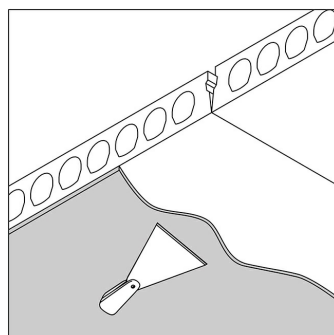
MOUNTING KIT ENTERO SQ-S



Stalton + pleister

Aleen met

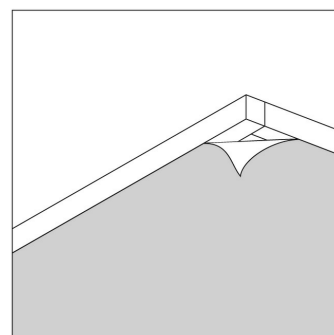
MOUNTING KIT ENTERO SQ-S



Welfsels + pleister

Aleen met

MOUNTING KIT ENTERO SQ-S



Spanplafond

Aleen met

MOUNTING KIT ENTERO SQ-S CSC
MOUNTING KIT ENTERO SQ-S WSC

ENTERO SQ-S TRIMLESS TW 96545
28527 9030

Related references

LED VOEDINGEN

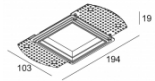
[Weblink / Specificatieblad](#)

LED POWER SUPPLY 500mA-DC 2CH TW DIMS
21012 0365
220-240V / 50-60Hz
Aantal toestellen: 1->2

Related references

MONTAGE KIT

[Weblink](#) / [Specificatieblad](#)

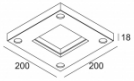


MOUNTING KIT ENTERO SQ-S
28400 0040

Related references

MONTAGE KIT SPANPLAFOND

[Weblink](#) / [Specificatieblad](#)



MOUNTING KIT ENTERO SQ-S CSC
28400 0100

[Weblink](#) / [Specificatieblad](#)

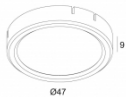


MOUNTING KIT ENTERO SQ-S WSC
28400 0160

Related references

LIGHT VERANDERENDE ONDERDELEN

[Weblink](#) / [Specificatieblad](#)



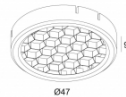
ENTERO S GLASS SBL
28500 0040

[Weblink](#) / [Specificatieblad](#)



ENTERO S HONEYCOMB DOUBLE USE
28500 0060

[Weblink](#) / [Specificatieblad](#)



ENTERO S HONEYCOMB SINGLE USE
28500 0050

[Weblink](#) / [Specificatieblad](#)



ENTERO S LINEAR SPREAD LENS
28500 0010

[Weblink](#) / [Specificatieblad](#)



ENTERO S SOFTENING LENS
28500 0030

[Weblink](#) / [Specificatieblad](#)



ENTERO S SPREAD LENS
28500 0020