

## PRODUCT DATA SHEET

---

Part number 130309

---

EAN 4015609010387

Manufacturer WALTHER-WERKE

WEEE-Reg.-Number: DE 22131895

---

### Product description

---

Wall socket for external fixing 32A 3P 9h with one top cable entry



Product Image

### Detailed product description

---

WALTHER Wall socket 32A 3P 400V 9h IP44  
 made from PA6 material  
 with screw terminal  
 for external fixing  
 and with one top cable entry

### Ordering Information

---

Order unit	Piece
Customs number	85366990
Net weight	0,291 kg
Packing quantity (VPE)	10
Length of the packaging	
Width of the packaging	
Depth of the packaging	
Gross weight(VPE)	2,91 kg

### Certificates

---

VDE certification 123021



EAC certification

BY112.02.01.020 06089



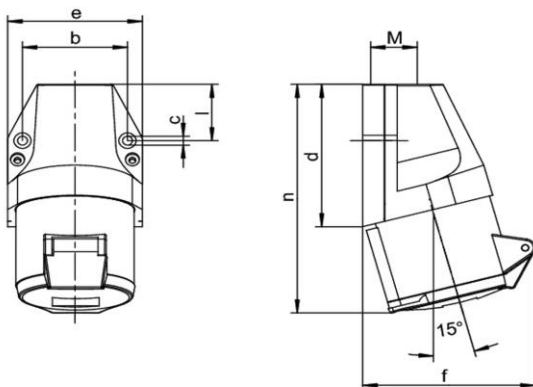
## Classification system

Classification system	ETIM_6.0
ETIM Class	EC001321

## Technical product data

Model	Surface mounted (plaster)
IEC-amperage	32 A
Amperage acc. UL/CSA (for UL-version)	30 A
Number of poles	3
Voltage acc. EN 60309-2	400 V (50+60 Hz) red
Clock hour position	9 h
Identification colour	Red
RAL-number	3000
Degree of protection (IP)	IP44
Connection system	Screwed terminal
Material	Plastic
Type of fastening	External mounting
Insulated mounting	True

## Dimension sheet



Amp.	16			32		
	3	4	5	3	4	5
b	45,5	60	60	60	60	60
c	5,3	5,3	5,3	5,3	5,3	5,3
d	74	80	80	97	97	97
e	60	74	74	82	82	82
f	75	86	90	103	103	105
l	28	31	31	45	45	45
n	120	128	129	154	154	155
M	20	20	20	25	25	25