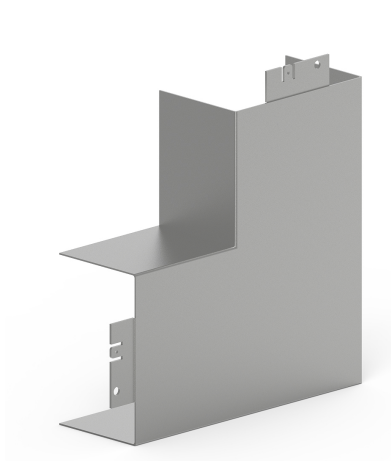


Date: 15.03.2023

Flat angle LFS 60x100, steel, zinc

**Product description**

Flat angle as moulded hood for installation trunking, for cable routing with a 90° change of direction.

Basic data

Item number	2334
Product group	10-Cable routing
Packing unit	2 pieces
EAN code	4018475023345
Tariff number	73089059

Technical features

Height	60 mm
Width	100 mm
Model	moulded hood
Angle	90 - 90 °
Material	steel
Halogen free	yes
Surface protection	pre-galvanised
Colour	other
Type of fastening	snap on