

PRODUCT DATA SHEET

Part number 279409

EAN 4015609015290

Manufacturer WALTHER-WERKE

WEEE-Reg.-Nr: DE 22131895

Product description

Waterproof Plug 125A 4P 9h with cable gland and pilot contact



Product Image

Detailed product description

WALTHER Plug 125A 4P 230V 9h IP67

made from PA6 material

with screw terminal

with cable gland

and pilot contact



Ordering information

order unit	Piece
customs number	85366990
net weight	1,329 kg
packing quantity (VPE)	2
length of the packaging	0.31 m
width of the packaging	0.255 m
depth of the packaging	0.15 m
gross weight(VPE)	2.854 kg

Conformities

CE conformity	√
RoHS directive	2011/65/EU
RoHS directive	2015/863/EU
REACH regulation	1907/2006

Certification

VDE certification	123027	
UL certification	No. E329476	

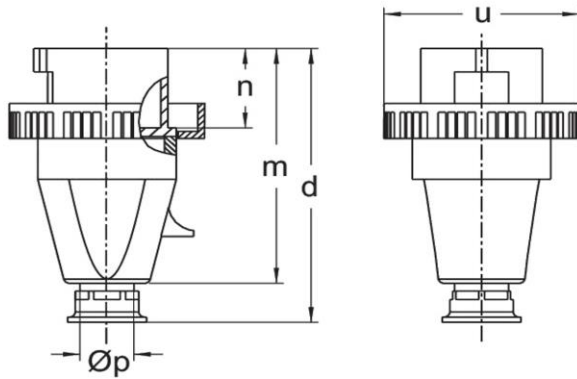
Classification system

classification system	ETIM_7.0
ETIM Class	EC000140

Technical product data

IEC-amperage	125 A
Amperage according to UL/CSA (for UL-version)	100 A
Number of poles	4
Voltage according to EN 60309-2	230 V (50+60Hz) blue
Clock hour position	9 h
Identification colour	Blue
Conductor cross-section	16 - 50 mm ²
Cable diameter	24 - 45 mm
Cable strip length	80 mm +/- 5 mm
Cable ferrules length	27 mm +/- 1 mm
Maximum torque terminal screw	3.5 - 4 Nm
Maximum torque back shell	2 Nm
Degree of protection (IP)	IP67
Connection system	Screwed terminal
Contact material	Nickel-plated brass
Cable entry	Swivel
Angle of plug	Straight
Material	Plastic
Inflammability class of insulation material according to with UL94	V2

Dimension sheet



Amp.	63			125		
	3	4	5	3	4	5
d	243	243	243	315	315	315
m	195	195	195	258	258	258
n	67	67	67	75,5	75,5	75,5
u	110	110	110	130	130	130
Øp	18-35	18-35	18-35	24-45	24-45	24-45