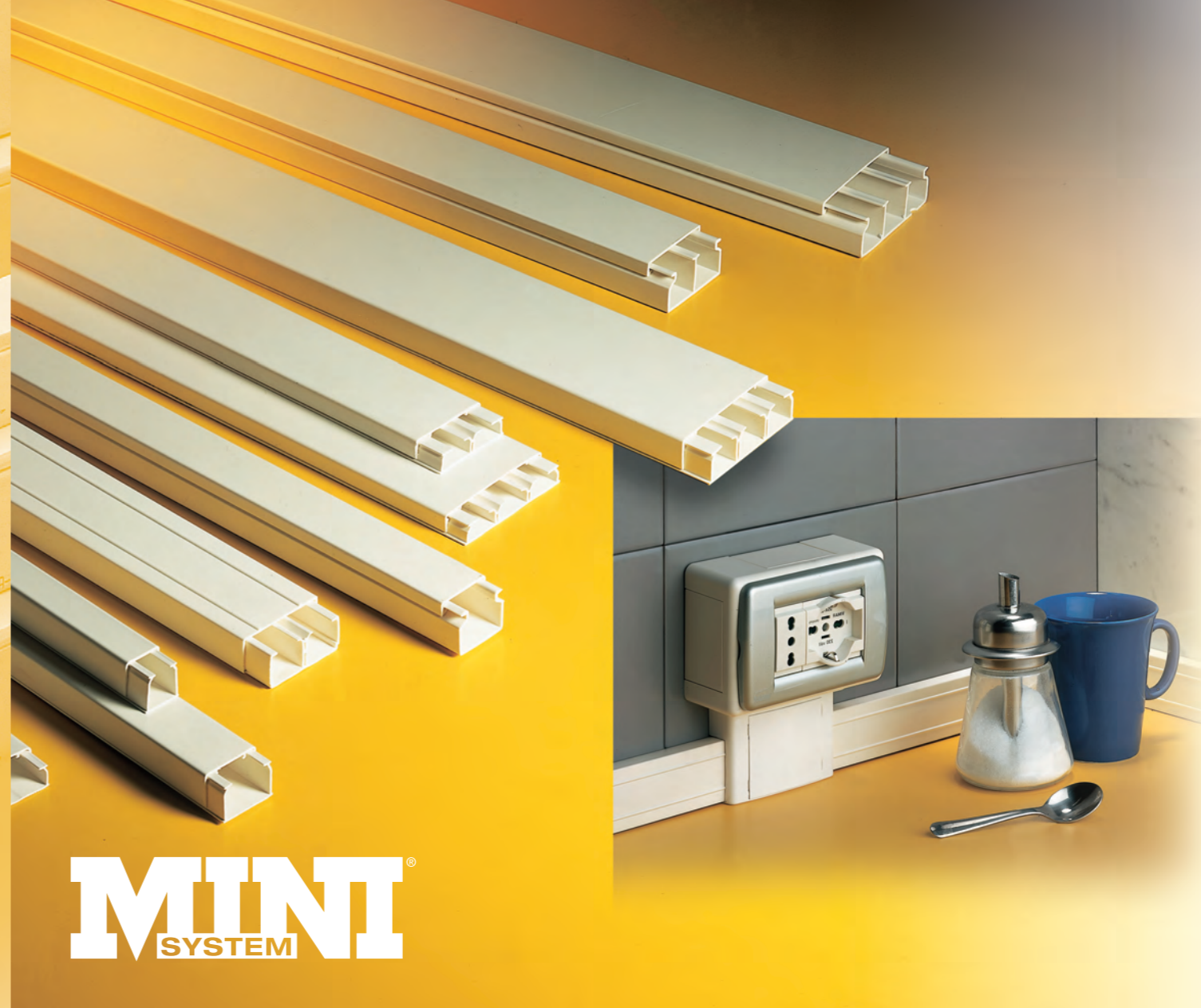


2 Canali per impianti. Cable ductings.



MINI
SYSTEM



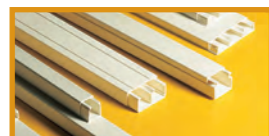
MiniSystem

pag. 2.1.1



LINEADIN LDC

pag. 2.4.1



Minicanali MA

pag. 2.2.1



LINEADIN LDCAB

pag. 2.5.1



Tipo G

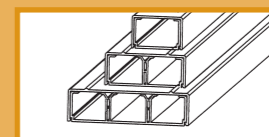
pag. 2.3.1



Dominio

pag. 2.6.1

Minicanali completi di coperchio.
Minitrunkings complete with cover.



pagina / page

2.1.2

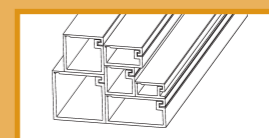
Dati tecnici.
Technical data.



pagina / page

2.1.14

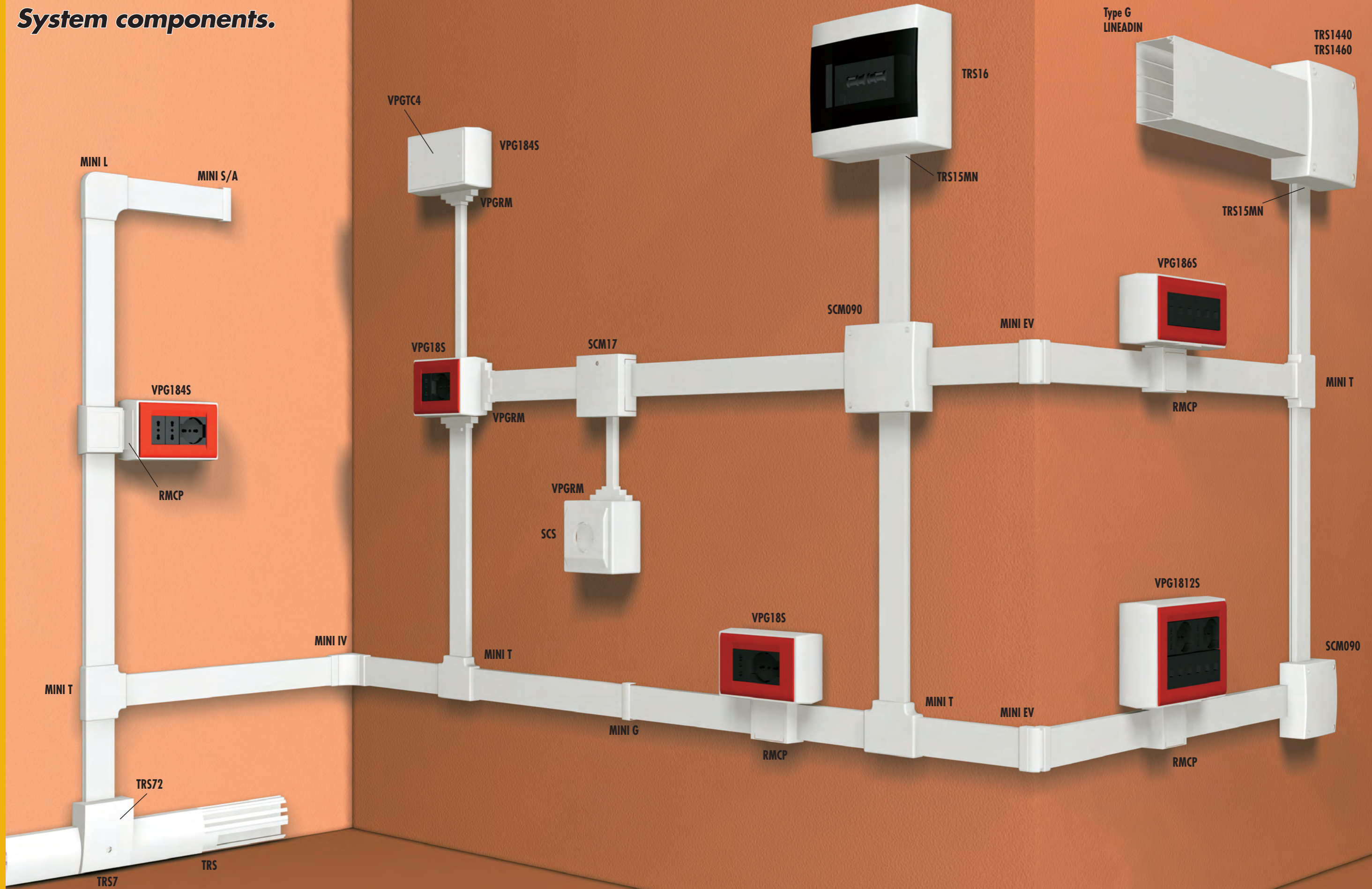
Minicanali con coperchio integrato MA.
MA Minitrunkings with hinged cover.



pagina / page

2.2.1

MINISYSTEM. Elementi del sistema. System components.





MINI SYSTEM

Minicanali completi di coperchio. PVC Rigido Autoestinguente Classe 1 (UL94-VO).
Minitrunkings complete with cover. Self-extinguishing rigid PVC Class 1 (UL94-VO).

MINI SYSTEM

Minicanali per installare, ampliare o modificare impianti elettrici dove lo spazio è limitato.
Materiale: PVC Rigido Autoestinguente Classe 1 (UL94-VO).
Lunghezza: 2 metri

Minitrunkings for installation or modification of electrical systems where there is not enough room.
Self-extinguishing rigid PVC Class 1 (UL94-VO).
Length: 2 meters



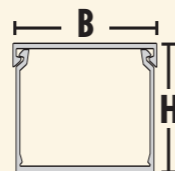
Codifica per l'ordine dei canali Functional part numbering system

G21

B

Tipo
Type

Colore
Colour



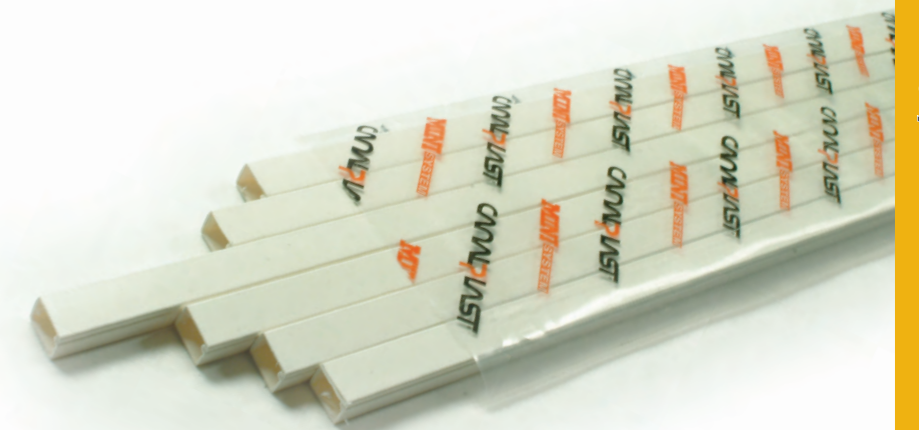
COLORI COLOURS

- B = Bianco / White Type 9001
- BEU = Bianco / White Type 9010
- M = Marrone / Brown Type 8017

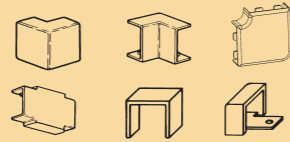
- I canali vengono forniti completi di coperchio.
- All trunkings come complete with cover.

	Sezione fondo	Tipo	Dimensioni BxH mm	Colore	EAN	Imballo m	S.G. mm ²	Lung. barre m	Cartone peso Kg
	Section of the bottom	Part number	Duct Size BxH mm	Colour	EAN Code	Standard Carton m	G.S. mm ²	Length m	Carton Weight Kg
PG		G21	10x10	B*	040010	240	48	2	13,4
				BEU*	045619				
PG PG PG PG		G41	20x10	B	040041	120	128	2	11,0
				BEU	045589				
				M	040065				
PG PG coperchio avvolgente wrap-around cover		MS201	20x10	B	040911	120	128	2	11,2
				BEU	045541				
		MS301	30x10	B	040928	90	208	2	12,8
				BEU	045558				
MS4010	40x10	B	040645	68	250 (125x2)	2	14,5		
		BEU	045565						
MS6010	60x10	B	040652	44	375 (125x3)	2	14,8		
		BEU	045640						
PG PG coperchio avvolgente wrap-around cover		BS11	16x16	B	040164	96	180	2	12,6
				BEU	045510				
		BS21	25x16	B	040188	72	320	2	11,4
				BEU	045527				
BS31	40x16	B	040201	54	430 (215x2)	2	14,6		
		BEU	045534						
BS61	60x16	B	040225	36	645 (215x3)	2	15,4		
		BEU	045626						
PG PG PG PG		G20	15x18	B	041215	120	195	2	13,5
				BEU	045572				
PG PG PG PG		G44	25x20	B	040317	60	335	2	11,9
				BEU	045596				
		G45	40x20	M	040331	42	542 (271x2)	2	13,0
				B	040355				
G46	60x20	BEU	045602	28	855 (285x3)	2	12,8		
		B	040393						
				BEU	045633				

* Per il fissaggio a parete del minicanale 10x10 mm utilizzare tasselli Ø 3 mm.
For the wall fixing of the minitrunking 10x10 mm use Ø3 mm plugs.



MINIBLI



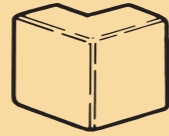
Blister accessori contenente:

- 1 angolo esterno
- 2 angoli piani
- 1 giunto coperchio

Blister whit:

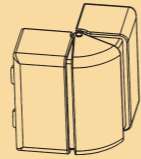
- 1 outer bend
- 2 L-joints
- 1 cover joint

MINI E



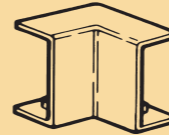
Angolo esterno.
Outer bend.

MINI EV



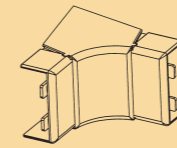
Angolo esterno variabile.
Outer variable bend.

MINI I



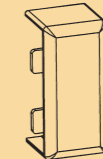
Angolo interno.
Inner bend.

MINI IV



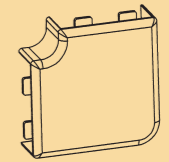
Angolo interno variabile.
Inner variable bend.

MINI G



Giunto coperchio.
Cover joint.

MINI L



Giunto "L" per derivazione piano.
L-Joint for flat bend.

GWT = T850°

Tipo	Colore	BxH mm
Part number	Colour	BxH mm

G21	<input type="checkbox"/> B <input type="checkbox"/> BEU	10x10
G41	<input type="checkbox"/> B <input type="checkbox"/> BEU <input checked="" type="checkbox"/> M	20x10
MS201	<input type="checkbox"/> B <input type="checkbox"/> BEU	20x10
MS301	<input type="checkbox"/> B <input type="checkbox"/> BEU	30x10
MS4010	<input type="checkbox"/> B <input type="checkbox"/> BEU	40x10
MS6010	<input type="checkbox"/> B <input type="checkbox"/> BEU	60x10
BS11	<input type="checkbox"/> B <input type="checkbox"/> BEU	16x16
BS21	<input type="checkbox"/> B <input type="checkbox"/> BEU	25x16
BS31	<input type="checkbox"/> B <input type="checkbox"/> BEU	40x16
BS61	<input type="checkbox"/> B <input type="checkbox"/> BEU	60x16
G20	<input type="checkbox"/> B <input type="checkbox"/> BEU	15x18
G44	<input type="checkbox"/> B <input type="checkbox"/> BEU <input checked="" type="checkbox"/> M	25x20
G45	<input type="checkbox"/> B <input type="checkbox"/> BEU	40x20
G46	<input type="checkbox"/> B <input type="checkbox"/> BEU	60x20

Tipo	Colore	EAN	Imballo pz.
Part number	Colour	EAN	Packing pcs.

Tipo	Colore	EAN	Imballo pz.
Part number	Colour	EAN	Packing pcs.
MINI41E	<input type="checkbox"/> B <input type="checkbox"/> BEU <input checked="" type="checkbox"/> M	041871 044254 041895	40 (4x10)
MINI41E	<input type="checkbox"/> B <input type="checkbox"/> BEU	041871 044254	40 (4x10)
MINI30E	<input type="checkbox"/> B <input type="checkbox"/> BEU	042113 045732	40 (4x10)
MINI40E	<input type="checkbox"/> B <input type="checkbox"/> BEU	041819 045794	40 (4x10)
MINI60E	<input type="checkbox"/> B <input type="checkbox"/> BEU	042052 045909	40 (4x10)
MINI11E	<input type="checkbox"/> B <input type="checkbox"/> BEU	042212 044001	40 (4x10)
MINI21E	<input type="checkbox"/> B <input type="checkbox"/> BEU	042267 044063	40 (4x10)
MINI31E	<input type="checkbox"/> B <input type="checkbox"/> BEU	042311 044124	40 (4x10)
MINI61E	<input type="checkbox"/> B <input type="checkbox"/> BEU	042373 045961	40 (4x10)
MINI20BLI	<input type="checkbox"/> B <input type="checkbox"/> BEU	042908 042915	6 kit
MINI44E	<input type="checkbox"/> B <input type="checkbox"/> BEU <input checked="" type="checkbox"/> M	042618 045855 042632	20 (4x5)
GT248E ▲	<input type="checkbox"/> B <input type="checkbox"/> BEU	033692 038239	10 (2x5)
GT244E ▲	<input type="checkbox"/> B <input type="checkbox"/> BEU	033678 038307	10

Tipo	Colore	EAN	Imballo pz.
Part number	Colour	EAN	Packing pcs.
MINI41EV	<input type="checkbox"/> B <input type="checkbox"/> BEU	042175 044261	40 (4x10)
MINI41EV	<input type="checkbox"/> B <input type="checkbox"/> BEU	042175 044261	40 (4x10)
MINI21EV	<input type="checkbox"/> B <input type="checkbox"/> BEU	042434 044339	40 (4x10)
MINI31EV	<input type="checkbox"/> B <input type="checkbox"/> BEU	042458 044216	40 (4x10)

Tipo	Colore	EAN	Imballo pz.
Part number	Colour	EAN	Packing pcs.
MINI41I	<input type="checkbox"/> B <input type="checkbox"/> BEU <input checked="" type="checkbox"/> M	041932 044285 041956	40 (4x10)
MINI41I	<input type="checkbox"/> B <input type="checkbox"/> BEU	041932 044285	40 (4x10)
MINI30I	<input type="checkbox"/> B <input type="checkbox"/> BEU	042120 045756	40 (4x10)
MINI40I	<input type="checkbox"/> B <input type="checkbox"/> BEU	041833 045817	40 (4x10)
MINI60I	<input type="checkbox"/> B <input type="checkbox"/> BEU	042076 045923	40 (4x10)
MINI11I	<input type="checkbox"/> B <input type="checkbox"/> BEU	042229 044025	40 (4x10)
MINI21I	<input type="checkbox"/> B <input type="checkbox"/> BEU	042274 044087	40 (4x10)
MINI31I	<input type="checkbox"/> B <input type="checkbox"/> BEU	042335 044148	40 (4x10)
MINI61I	<input type="checkbox"/> B <input type="checkbox"/> BEU	042397 045985	40 (4x10)
MINI44I	<input type="checkbox"/> B <input type="checkbox"/> BEU <input checked="" type="checkbox"/> M	042670 045879 042694	20 (4x5)
GT248I ▲	<input type="checkbox"/> B <input type="checkbox"/> BEU	034491 038253	10 (2x5)
GT244I ▲	<input type="checkbox"/> B <input type="checkbox"/> BEU	034477 038321	10

Tipo	Colore	EAN	Imballo pz.
Part number	Colour	EAN	Packing pcs.
MINI41IV	<input type="checkbox"/> B <input type="checkbox"/> BEU	042182 044292	40 (4x10)
MINI41IV	<input type="checkbox"/> B <input type="checkbox"/> BEU	042182 044292	40 (4x10)
MINI21IV	<input type="checkbox"/> B <input type="checkbox"/> BEU	042441 044353	40 (4x10)
MINI31IV	<input type="checkbox"/> B <input type="checkbox"/> BEU	042465 044230	40 (4x10)

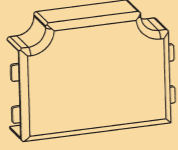
Tipo	Colore	EAN	Imballo pz.
Part number	Colour	EAN	Packing pcs.
MINI41G	<input type="checkbox"/> B <input type="checkbox"/> BEU <input checked="" type="checkbox"/> M	041901 044278 041925	40 (4x10)
MINI41G	<input type="checkbox"/> B <input type="checkbox"/> BEU	041901 044278	40 (4x10)
MINI30G	<input type="checkbox"/> B <input type="checkbox"/> BEU	042151 045749	40 (4x10)
MINI40G	<input type="checkbox"/> B <input type="checkbox"/> BEU	041826 045800	40 (4x10)
MINI60G	<input type="checkbox"/> B <input type="checkbox"/> BEU	042069 045916	40 (4x10)
MINI11G	<input type="checkbox"/> B <input type="checkbox"/> BEU	042496 044018	40 (4x10)
MINI21G	<input type="checkbox"/> B <input type="checkbox"/> BEU	042502 044346	40 (4x10)
MINI31G	<input type="checkbox"/> B <input type="checkbox"/> BEU	042328 044223	40 (4x10)
MINI61G	<input type="checkbox"/> B <input type="checkbox"/> BEU	042380 045978	40 (4x10)
MINI44G	<input type="checkbox"/> B <input type="checkbox"/> BEU <input checked="" type="checkbox"/> M	042649 045862 042663	20 (4x5)
GT248G ▲	<input type="checkbox"/> B <input type="checkbox"/> BEU	035252 038352	20 (4x5)
GT244G ▲	<input type="checkbox"/> B <input type="checkbox"/> BEU	035238 038314	20 (4x5)

Tipo	Colore	EAN	Imballo pz.
Part number	Colour	EAN	Packing pcs.
MINI41L	<input type="checkbox"/> B <input type="checkbox"/> BEU <input checked="" type="checkbox"/> M	041963 044308 041987	40 (4x10)
MINI41L	<input type="checkbox"/> B <input type="checkbox"/> BEU	041963 044308	40 (4x10)
MINI30L	<input type="checkbox"/> B <input type="checkbox"/> BEU	042137 045763	40 (4x10)
MINI40L	<input type="checkbox"/> B <input type="checkbox"/> BEU	041840 045824	40 (4x10)
MINI60L	<input type="checkbox"/> B <input type="checkbox"/> BEU	042083 045930	20 (2x10)
MINI11L	<input type="checkbox"/> B <input type="checkbox"/> BEU	042236 044032	40 (4x10)
MINI21L	<input type="checkbox"/> B <input type="checkbox"/> BEU	042281 044186	40 (4x10)
MINI31L	<input type="checkbox"/> B <input type="checkbox"/> BEU	042342 044209	40 (4x10)
MINI61L	<input type="checkbox"/> B <input type="checkbox"/> BEU	042403 045992	20 (2x10)
MINI44L	<input type="checkbox"/> B <input type="checkbox"/> BEU <input checked="" type="checkbox"/> M	042700 045886 042724	20 (4x5)
GT248L ▲	<input type="checkbox"/> B <input type="checkbox"/> BEU	036099 038246	10 (2x5)
GT244L ▲	<input type="checkbox"/> B <input type="checkbox"/> BEU	036075 038338	10

▲ = Ricavare dalla misura più grande. Get from bigger size.

GWT = T850°

MINI T



Giunto per derivazione parete "T".
T-joint for wall deviations.

Tipo	Colore	EAN	Imballo pz.
Part number	Colour	EAN	Packing pcs.

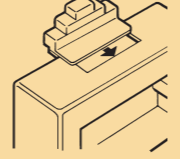
MINI S/A



Tappo terminale.
End cap.

Tipo	Colore	EAN	Imballo pz.
Part number	Colour	EAN	Packing pcs.

VPGRM



Adattatore per derivare i minicanali dalle scatole: SCS, VPG18S, VPG184S, VPG186S, VPG1812S.
Adaptor for junction of minitrunkings and SCS, VPG18S, VPG184S, VPG186S, VPG1812S boxes.

Tipo	Colore	EAN	Imballo pz.
Part number	Colour	EAN	Packing pcs.

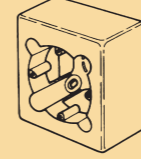
RMCP



Raccordo per scatole portautenze.
Canali: min 20x10 - max 60x16
Socket box junction.
Trunkings: min 20x10 - max 60x16.

Tipo	Colore	EAN	Imballo pz.
Part number	Colour	EAN	Packing pcs.

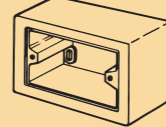
SCS



Scatola portautenze con interasse 60/55.
Socket box for switches with centres of 60/55.

Tipo	Colore	EAN	Imballo pz.
Part number	Colour	EAN	Packing pcs.

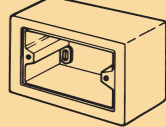
SC503



Scatola portautenze con interasse 83,5 (Mod. 503).
Pareti prefabbricate per l'ingresso dei minicanali.
Socket box for switches with centres of 83,5 (Mod.503). Prefabricated walls for minitrunkings entry.
GWT=T850°

Tipo	Colore	EAN	Imballo pz.
Part number	Colour	EAN	Packing pcs.

VPG18S



Scatola portautenze con interasse 83,5 (Mod. 503).
Socket box for switches with centres of 83,5 (Mod.503).

Tipo	Colore	EAN	Imballo pz.
Part number	Colour	EAN	Packing pcs.

Tipo	Colore	BxH mm
Part number	Colour	BxH mm
G21	<input type="checkbox"/> B <input type="checkbox"/> BEU	10x10
G41	<input type="checkbox"/> B <input type="checkbox"/> BEU <input type="checkbox"/> M	20x10
MS201	<input type="checkbox"/> B <input type="checkbox"/> BEU	20x10
MS301	<input type="checkbox"/> B <input type="checkbox"/> BEU	30x10
MS4010	<input type="checkbox"/> B <input type="checkbox"/> BEU	40x10
MS6010	<input type="checkbox"/> B <input type="checkbox"/> BEU	60x10
BS11	<input type="checkbox"/> B <input type="checkbox"/> BEU	16x16
BS21	<input type="checkbox"/> B <input type="checkbox"/> BEU	25x16
BS31	<input type="checkbox"/> B <input type="checkbox"/> BEU	40x16
BS61	<input type="checkbox"/> B <input type="checkbox"/> BEU	60x16
G20	<input type="checkbox"/> B <input type="checkbox"/> BEU	15x18
G44	<input type="checkbox"/> B <input type="checkbox"/> BEU <input type="checkbox"/> M	25x20
G45	<input type="checkbox"/> B <input type="checkbox"/> BEU	40x20
G46	<input type="checkbox"/> B <input type="checkbox"/> BEU	60x20

Tipo	Colore	EAN	Imballo pz.
Part number	Colour	EAN	Packing pcs.
MINI41T	<input type="checkbox"/> B <input type="checkbox"/> BEU <input type="checkbox"/> M	042021 044322 042045	40 (4x10)
MINI41T	<input type="checkbox"/> B <input type="checkbox"/> BEU	042021 044322	40 (4x10)
MINI30T	<input type="checkbox"/> B <input type="checkbox"/> BEU	042144 045787	40 (4x10)
MINI40T	<input type="checkbox"/> B <input type="checkbox"/> BEU	041864 045848	40 (4x10)
MINI60T	<input type="checkbox"/> B <input type="checkbox"/> BEU	042106 045954	20 (2x10)
MINI11T	<input type="checkbox"/> B <input type="checkbox"/> BEU	042250 044056	40 (4x10)
MINI21T	<input type="checkbox"/> B <input type="checkbox"/> BEU	042304 044377	40 (4x10)
MINI31T	<input type="checkbox"/> B <input type="checkbox"/> BEU	042366 044193	40 (4x10)
MINI61T	<input type="checkbox"/> B <input type="checkbox"/> BEU	042427 046012	20 (2x10)
MINI44T	<input type="checkbox"/> B <input type="checkbox"/> BEU <input type="checkbox"/> M	042731 045893 042755	20 (4x5)
GT248T ▲	<input type="checkbox"/> B <input type="checkbox"/> BEU	036891 038260	10 (2x5)
GT244T ▲	<input type="checkbox"/> B <input type="checkbox"/> BEU	036877 038345	10

Tipo	Colore	EAN	Imballo pz.
Part number	Colour	EAN	Packing pcs.
MINI41S	<input type="checkbox"/> B <input type="checkbox"/> BEU <input type="checkbox"/> M	041994 044315 042014	40 (4x10)
MINI41S	<input type="checkbox"/> B <input type="checkbox"/> BEU	041994 044315	40 (4x10)
MINI30S	<input type="checkbox"/> B <input type="checkbox"/> BEU	042168 045770	40 (4x10)
MINI40S	<input type="checkbox"/> B <input type="checkbox"/> BEU	041857 045831	40 (4x10)
MINI60S	<input type="checkbox"/> B <input type="checkbox"/> BEU	042090 045947	40 (4x10)
MINI11S	<input type="checkbox"/> B <input type="checkbox"/> BEU	042243 044049	40 (4x10)
MINI21S	<input type="checkbox"/> B <input type="checkbox"/> BEU	042298 044360	40 (4x10)
MINI31S	<input type="checkbox"/> B <input type="checkbox"/> BEU	042359 044247	40 (4x10)
MINI61S	<input type="checkbox"/> B <input type="checkbox"/> BEU	042410 046005	40 (4x10)
GT16A ▲	<input type="checkbox"/> B <input type="checkbox"/> BEU	037638 038284	20 (4x5)
GT248A ▲	<input type="checkbox"/> B <input type="checkbox"/> BEU	037690 038222	20 (4x5)
GT244A ▲	<input type="checkbox"/> B <input type="checkbox"/> BEU	037676 038291	10 (2x5)

Tipo	Colore	EAN	Imballo pz.
Part number	Colour	EAN	Packing pcs.
VPGRM	<input type="checkbox"/> B <input type="checkbox"/> BEU	043615 043783	36 (6x6)
VPGRM	<input type="checkbox"/> B <input type="checkbox"/> BEU	043615 043783	36 (6x6)
VPGRM	<input type="checkbox"/> B <input type="checkbox"/> BEU	043615 043783	36 (6x6)
VPGRM	<input type="checkbox"/> B <input type="checkbox"/> BEU	043615 043783	36 (6x6)
VPGRM	<input type="checkbox"/> B <input type="checkbox"/> BEU	043615 043783	36 (6x6)
VPGRM	<input type="checkbox"/> B <input type="checkbox"/> BEU	043615 043783	36 (6x6)

Tipo	Colore	EAN	Imballo pz.
Part number	Colour	EAN	Packing pcs.
RMCP	<input type="checkbox"/> B <input type="checkbox"/> BEU	043226 043738	10
RMCP	<input type="checkbox"/> B <input type="checkbox"/> BEU	043226 043738	10
RMCP	<input type="checkbox"/> B <input type="checkbox"/> BEU	043226 043738	10
RMCP	<input type="checkbox"/> B <input type="checkbox"/> BEU	043226 043738	10
RMCP	<input type="checkbox"/> B <input type="checkbox"/> BEU	043226 043738	10
RMCP	<input type="checkbox"/> B <input type="checkbox"/> BEU	043226 043738	10

Tipo	Colore	EAN	Imballo pz.
Part number	Colour	EAN	Packing pcs.
SCS	<input type="checkbox"/> B <input type="checkbox"/> BEU	043165 043189	9
SCS	<input type="checkbox"/> B <input type="checkbox"/> BEU	043165 043189	9
SCS	<input type="checkbox"/> B <input type="checkbox"/> BEU	043165 043189	9
SCS	<input type="checkbox"/> B <input type="checkbox"/> BEU	043165 043189	9
SCS	<input type="checkbox"/> B <input type="checkbox"/> BEU	043165 043189	9
SCS	<input type="checkbox"/> B <input type="checkbox"/> BEU	043165 043189	9

Tipo	Colore	EAN	Imballo pz.
Part number	Colour	EAN	Packing pcs.
SC503	<input type="checkbox"/> B <input type="checkbox"/> BEU	081266 047415	9
SC503	<input type="checkbox"/> B <input type="checkbox"/> BEU	081266 047415	9
SC503	<input type="checkbox"/> B <input type="checkbox"/> BEU	081266 047415	9
SC503	<input type="checkbox"/> B <input type="checkbox"/> BEU	081266 047415	9
SC503	<input type="checkbox"/> B <input type="checkbox"/> BEU	081266 047415	9
SC503	<input type="checkbox"/> B <input type="checkbox"/> BEU	081266 047415	9

Tipo	Colore	EAN	Imballo pz.
Part number	Colour	EAN	Packing pcs.
VPG18S	<input type="checkbox"/> B <input type="checkbox"/> BEU <input type="checkbox"/> M	043493 043776 043516	9
VPG18S	<input type="checkbox"/> B <input type="checkbox"/> BEU	043493 043776	9
VPG18S	<input type="checkbox"/> B <input type="checkbox"/> BEU	043493 043776	9
VPG18S	<input type="checkbox"/> B <input type="checkbox"/> BEU	043493 043776	9
VPG18S	<input type="checkbox"/> B <input type="checkbox"/> BEU	043493 043776	9
VPG18S	<input type="checkbox"/> B <input type="checkbox"/> BEU	043493 043776	9

▲ = Ricavare dalla misura più grande. Get from bigger size.

GWT = T850°

Tipo	Colore	BxH mm
Part number	Colour	BxH mm

G21	<input type="checkbox"/> B <input type="checkbox"/> BEU	10x10
G41	<input type="checkbox"/> B <input type="checkbox"/> BEU <input type="checkbox"/> M	20x10
MS201	<input type="checkbox"/> B <input type="checkbox"/> BEU	20x10
MS301	<input type="checkbox"/> B <input type="checkbox"/> BEU	30x10
MS4010	<input type="checkbox"/> B <input type="checkbox"/> BEU	40x10
MS6010	<input type="checkbox"/> B <input type="checkbox"/> BEU	60x10
BS11	<input type="checkbox"/> B <input type="checkbox"/> BEU	16x16
BS21	<input type="checkbox"/> B <input type="checkbox"/> BEU	25x16
BS31	<input type="checkbox"/> B <input type="checkbox"/> BEU	40x16
BS61	<input type="checkbox"/> B <input type="checkbox"/> BEU	60x16
G20	<input type="checkbox"/> B <input type="checkbox"/> BEU	15x18
G44	<input type="checkbox"/> B <input type="checkbox"/> BEU <input type="checkbox"/> M	25x20
G45	<input type="checkbox"/> B <input type="checkbox"/> BEU	40x20
G46	<input type="checkbox"/> B <input type="checkbox"/> BEU	60x20

TRI 03



Adattatore per prese telefoniche(per VPG18S).
Adaptor for telephone plugs (for VPG18S).

Tipo	Colore	EAN	Imballo pz.
Part number	Colour	EAN	Packing pcs.

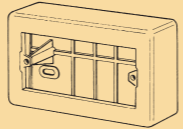
TRI 05



Adattatore per connettori EDP(per VPG18S).
Adaptor for EDP connectors (for VPG18S).

Tipo	Colore	EAN	Imballo pz.
Part number	Colour	EAN	Packing pcs.

VPG184S



Scatola portautenze con interasse 108 (Mod. 504).
Socket box for switches with centres 108 (Mod. 504).


Tipo	Colore	EAN	Imballo pz.
Part number	Colour	EAN	Packing pcs.

TRI03	<input type="checkbox"/> B	140314	12
TRI03	<input type="checkbox"/> B	140314	12
TRI03	<input type="checkbox"/> B	140314	12
TRI03	<input type="checkbox"/> B	140314	12
TRI03	<input type="checkbox"/> B	140314	12
TRI03	<input type="checkbox"/> B	140314	12
TRI03	<input type="checkbox"/> B	140314	12
TRI03	<input type="checkbox"/> B	140314	12
TRI03	<input type="checkbox"/> B	140314	12
TRI03	<input type="checkbox"/> B	140314	12
TRI03	<input type="checkbox"/> B	140314	12

TRI05	<input type="checkbox"/> B	140345	12
TRI05	<input type="checkbox"/> B	140345	12
TRI05	<input type="checkbox"/> B	140345	12
TRI05	<input type="checkbox"/> B	140345	12
TRI05	<input type="checkbox"/> B	140345	12
TRI05	<input type="checkbox"/> B	140345	12
TRI05	<input type="checkbox"/> B	140345	12
TRI05	<input type="checkbox"/> B	140345	12
TRI05	<input type="checkbox"/> B	140345	12
TRI05	<input type="checkbox"/> B	140345	12
TRI05	<input type="checkbox"/> B	140345	12

VPG184S	<input type="checkbox"/> B <input type="checkbox"/> BEU	043431 043752	9
VPG184S	<input type="checkbox"/> B <input type="checkbox"/> BEU	043431 043752	9
VPG184S	<input type="checkbox"/> B <input type="checkbox"/> BEU	043431 043752	9
VPG184S	<input type="checkbox"/> B <input type="checkbox"/> BEU	043431 043752	9
VPG184S	<input type="checkbox"/> B <input type="checkbox"/> BEU	043431 043752	9
VPG184S	<input type="checkbox"/> B <input type="checkbox"/> BEU	043431 043752	9
VPG184S	<input type="checkbox"/> B <input type="checkbox"/> BEU	043431 043752	9
VPG184S	<input type="checkbox"/> B <input type="checkbox"/> BEU	043431 043752	9
VPG184S	<input type="checkbox"/> B <input type="checkbox"/> BEU	043431 043752	9
VPG184S	<input type="checkbox"/> B <input type="checkbox"/> BEU	043431 043752	9
VPG184S	<input type="checkbox"/> B <input type="checkbox"/> BEU	043431 043752	9

VPGTC4

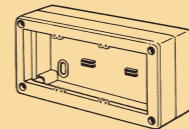


Coperchio di chiusura per VPG184S usata come scatola di derivazione.
Closing cover for VPG184S used as junction box.

Tipo	Colore	EAN	Imballo pz.
Part number	Colour	EAN	Packing pcs.

VPGTC4	<input type="checkbox"/> B <input type="checkbox"/> BE	043622 043714	27
VPGTC4	<input type="checkbox"/> B <input type="checkbox"/> BE	043622 043714	27
VPGTC4	<input type="checkbox"/> B <input type="checkbox"/> BE	043622 043714	27
VPGTC4	<input type="checkbox"/> B <input type="checkbox"/> BE	043622 043714	27
VPGTC4	<input type="checkbox"/> B <input type="checkbox"/> BE	043622 043714	27
VPGTC4	<input type="checkbox"/> B <input type="checkbox"/> BE	043622 043714	27
VPGTC4	<input type="checkbox"/> B <input type="checkbox"/> BE	043622 043714	27
VPGTC4	<input type="checkbox"/> B <input type="checkbox"/> BE	043622 043714	27
VPGTC4	<input type="checkbox"/> B <input type="checkbox"/> BE	043622 043714	27
VPGTC4	<input type="checkbox"/> B <input type="checkbox"/> BE	043622 043714	27
VPGTC4	<input type="checkbox"/> B <input type="checkbox"/> BE	043622 043714	27

VPG186S

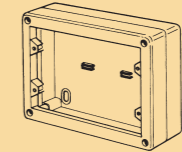


Scatola portautenze con interasse 100 (6 posti).
(Interasse 60/70 per utenze estere).
Socket box for switches with centres of 100
(6 places). (Centres 60/70 for foreign switches).

Tipo	Colore	EAN	Imballo pz.
Part number	Colour	EAN	Packing pcs.

VPG186S	<input type="checkbox"/> B <input type="checkbox"/> BE	043592 043769	6
VPG186S	<input type="checkbox"/> B <input type="checkbox"/> BE	043592 043769	6
VPG186S	<input type="checkbox"/> B <input type="checkbox"/> BE	043592 043769	6
VPG186S	<input type="checkbox"/> B <input type="checkbox"/> BE	043592 043769	6
VPG186S	<input type="checkbox"/> B <input type="checkbox"/> BE	043592 043769	6
VPG186S	<input type="checkbox"/> B <input type="checkbox"/> BE	043592 043769	6
VPG186S	<input type="checkbox"/> B <input type="checkbox"/> BE	043592 043769	6
VPG186S	<input type="checkbox"/> B <input type="checkbox"/> BE	043592 043769	6
VPG186S	<input type="checkbox"/> B <input type="checkbox"/> BE	043592 043769	6
VPG186S	<input type="checkbox"/> B <input type="checkbox"/> BE	043592 043769	6
VPG186S	<input type="checkbox"/> B <input type="checkbox"/> BE	043592 043769	6

VPG1812S

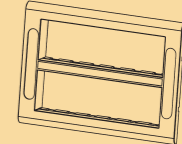


Scatola portautenze con interasse 164x2 (12 posti).
Socket box for switches with centres 164x2 (12 places).

Tipo	Colore	EAN	Imballo pz.
Part number	Colour	EAN	Packing pcs.

VPG1812S	<input type="checkbox"/> B <input type="checkbox"/> BE	043523 043721	4
VPG1812S	<input type="checkbox"/> B <input type="checkbox"/> BE	043523 043721	4
VPG1812S	<input type="checkbox"/> B <input type="checkbox"/> BE	043523 043721	4
VPG1812S	<input type="checkbox"/> B <input type="checkbox"/> BE	043523 043721	4
VPG1812S	<input type="checkbox"/> B <input type="checkbox"/> BE	043523 043721	4
VPG1812S	<input type="checkbox"/> B <input type="checkbox"/> BE	043523 043721	4
VPG1812S	<input type="checkbox"/> B <input type="checkbox"/> BE	043523 043721	4
VPG1812S	<input type="checkbox"/> B <input type="checkbox"/> BE	043523 043721	4
VPG1812S	<input type="checkbox"/> B <input type="checkbox"/> BE	043523 043721	4
VPG1812S	<input type="checkbox"/> B <input type="checkbox"/> BE	043523 043721	4
VPG1812S	<input type="checkbox"/> B <input type="checkbox"/> BE	043523 043721	4

VPM12



Placca portautenze (12 posti) per scatola VPG1812S.
Front plate socket panel (12 places) for VPG1812S box.

Tipo	Colore	EAN	Imballo pz.
Part number	Colour	EAN	Packing pcs.

VPM12AV B (AVE-S45)	<input type="checkbox"/> B <input type="checkbox"/> BE	080481 081211	8
VPM12GW GEWISS-Serie 20	<input type="checkbox"/> B <input type="checkbox"/> BE	080504 081228	8
VPM12SIM SIEMENS-Futura	<input type="checkbox"/> B <input type="checkbox"/> BE	080498 081235	8
VPM12VIM VIMAR-Idea	<input type="checkbox"/> B <input type="checkbox"/> BE	080634 081259	8
VPM12TIN TICINO-International	<input type="checkbox"/> B <input type="checkbox"/> BE	080887 081242	8

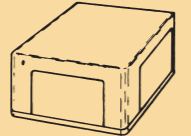
■ = Fornibile a richiesta e per quantità da concordare. Available on request and for quantities to be agreed.

GWT = T850°

Tipo	Colore	BxH mm
Part number	Colour	BxH mm

G21	<input type="checkbox"/> B <input type="checkbox"/> BEU	10x10
G41	<input type="checkbox"/> B <input type="checkbox"/> BEU <input type="checkbox"/> M	20x10
MS201	<input type="checkbox"/> B <input type="checkbox"/> BEU	20x10
MS301	<input type="checkbox"/> B <input type="checkbox"/> BEU	30x10
MS4010	<input type="checkbox"/> B <input type="checkbox"/> BEU	40x10
MS6010	<input type="checkbox"/> B <input type="checkbox"/> BEU	60x10
BS11	<input type="checkbox"/> B <input type="checkbox"/> BEU	16x16
BS21	<input type="checkbox"/> B <input type="checkbox"/> BEU	25x16
BS31	<input type="checkbox"/> B <input type="checkbox"/> BEU	40x16
BS61	<input type="checkbox"/> B <input type="checkbox"/> BEU	60x16
G20	<input type="checkbox"/> B <input type="checkbox"/> BEU	15x18
G44	<input type="checkbox"/> B <input type="checkbox"/> BEU <input type="checkbox"/> M	25x20
G45	<input type="checkbox"/> B <input type="checkbox"/> BEU	40x20
G46	<input type="checkbox"/> B <input type="checkbox"/> BEU	60x20

SCM17



Scatola di derivazione per minicanali.
H max = 20 mm L max = 60 mm
Junction box for minitrunking
max height = 20 mm max length = 60 mm

Tipo	Colore	EAN	Imballo pz.
Part number	Colour	EAN	Packing pcs.

SCM17	<input type="checkbox"/> B <input type="checkbox"/> BEU	043158 043745	10
SCM17	<input type="checkbox"/> B <input type="checkbox"/> BEU	043158 043745	10
SCM17	<input type="checkbox"/> B <input type="checkbox"/> BEU	043158 043745	10
SCM17	<input type="checkbox"/> B <input type="checkbox"/> BEU	043158 043745	10
SCM17	<input type="checkbox"/> B <input type="checkbox"/> BEU	043158 043745	10
SCM17	<input type="checkbox"/> B <input type="checkbox"/> BEU	043158 043745	10
SCM17	<input type="checkbox"/> B <input type="checkbox"/> BEU	043158 043745	10
SCM17	<input type="checkbox"/> B <input type="checkbox"/> BEU	043158 043745	10
SCM17	<input type="checkbox"/> B <input type="checkbox"/> BEU	043158 043745	10
SCM17	<input type="checkbox"/> B <input type="checkbox"/> BEU	043158 043745	10

SCM090




Scatola di derivazione per minicanali.
min 20x10 max 60x30
Junction box for minitrunking.
min 20 x 10 max 60 x 30

Tipo	Colore	EAN	Imballo pz.
Part number	Colour	EAN	Packing pcs.

SCM090	<input type="checkbox"/> B <input type="checkbox"/> BEU	043219 043233	10
SCM090	<input type="checkbox"/> B <input type="checkbox"/> BEU	043219 043233	10
SCM090	<input type="checkbox"/> B <input type="checkbox"/> BEU	043219 043233	10
SCM090	<input type="checkbox"/> B <input type="checkbox"/> BEU	043219 043233	10
SCM090	<input type="checkbox"/> B <input type="checkbox"/> BEU	043219 043233	10
SCM090	<input type="checkbox"/> B <input type="checkbox"/> BEU	043219 043233	10
SCM090	<input type="checkbox"/> B <input type="checkbox"/> BEU	043219 043233	10
SCM090	<input type="checkbox"/> B <input type="checkbox"/> BEU	043219 043233	10
SCM090	<input type="checkbox"/> B <input type="checkbox"/> BEU	043219 043233	10
SCM090	<input type="checkbox"/> B <input type="checkbox"/> BEU	043219 043233	10

TRS15MN



Raccordo tra scatola TRS1440e centralino TRS16 con minicanali H10 - 16.
Junction between TRS1440 box and TRS16 switchboard with minitrunking H10 - 16.

Tipo	Colore	EAN	Imballo pz.
Part number	Colour	EAN	Packing pcs.

TRS15MN	<input type="checkbox"/> B <input type="checkbox"/> BE	043707 043790	20
TRS15MN	<input type="checkbox"/> B <input type="checkbox"/> BE	043707 043790	20
TRS15MN	<input type="checkbox"/> B <input type="checkbox"/> BE	043707 043790	20
TRS15MN	<input type="checkbox"/> B <input type="checkbox"/> BE	043707 043790	20
TRS15MN	<input type="checkbox"/> B <input type="checkbox"/> BE	043707 043790	20
TRS15MN	<input type="checkbox"/> B <input type="checkbox"/> BE	043707 043790	20
TRS15MN	<input type="checkbox"/> B <input type="checkbox"/> BE	043707 043790	20
TRS15MN	<input type="checkbox"/> B <input type="checkbox"/> BE	043707 043790	20
TRS15MN	<input type="checkbox"/> B <input type="checkbox"/> BE	043707 043790	20
TRS15MN	<input type="checkbox"/> B <input type="checkbox"/> BE	043707 043790	20

TRS1440

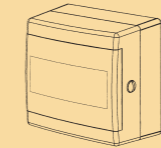


Scatola di derivazione per canali altezza max 40.
Junction box. For trunking max H = 40

Tipo	Colore	EAN	Imballo pz.
Part number	Colour	EAN	Packing pcs.

TRS1440	<input type="checkbox"/> B <input type="checkbox"/> BE	081013 061602	3
TRS1440	<input type="checkbox"/> B <input type="checkbox"/> BE	081013 061602	3
TRS1440	<input type="checkbox"/> B <input type="checkbox"/> BE	081013 061602	3
TRS1440	<input type="checkbox"/> B <input type="checkbox"/> BE	081013 061602	3
TRS1440	<input type="checkbox"/> B <input type="checkbox"/> BE	081013 061602	3
TRS1440	<input type="checkbox"/> B <input type="checkbox"/> BE	081013 061602	3
TRS1440	<input type="checkbox"/> B <input type="checkbox"/> BE	081013 061602	3
TRS1440	<input type="checkbox"/> B <input type="checkbox"/> BE	081013 061602	3
TRS1440	<input type="checkbox"/> B <input type="checkbox"/> BE	081013 061602	3
TRS1440	<input type="checkbox"/> B <input type="checkbox"/> BE	081013 061602	3

TRS16



Centralino a 7 moduli.
Switchboard at 7 modules.

Tipo	Colore	EAN	Imballo pz.
Part number	Colour	EAN	Packing pcs.

TRS16	<input type="checkbox"/> B <input type="checkbox"/> BE	081099 061619	3
TRS16	<input type="checkbox"/> B <input type="checkbox"/> BE	081099 061619	3
TRS16	<input type="checkbox"/> B <input type="checkbox"/> BE	081099 061619	3
TRS16	<input type="checkbox"/> B <input type="checkbox"/> BE	081099 061619	3
TRS16	<input type="checkbox"/> B <input type="checkbox"/> BE	081099 061619	3
TRS16	<input type="checkbox"/> B <input type="checkbox"/> BE	081099 061619	3
TRS16	<input type="checkbox"/> B <input type="checkbox"/> BE	081099 061619	3
TRS16	<input type="checkbox"/> B <input type="checkbox"/> BE	081099 061619	3
TRS16	<input type="checkbox"/> B <input type="checkbox"/> BE	081099 061619	3
TRS16	<input type="checkbox"/> B <input type="checkbox"/> BE	081099 061619	3

TS



Tassello ad espansione per il fissaggio dei canali a parete, 2-3 per m. Completamente isolato, con testa vite a scomparsa.
Wall plug. For wall-mounting of the ducting (2-3 per meter). Completely isolated, with a countersunk screw.
Dim.: Ø 6 mm Colore/Colour: Nero/Black

Tipo	Colore	EAN	Imballo pz.
Part number	Colour	EAN	Packing pcs.

TS	<input checked="" type="checkbox"/>	027844	100
----	-------------------------------------	--------	-----

MCE15



Cesola per taglio minicanali (anche ad angoli variabili) spessore max 15 mm.
Minitrunkings cutting tool. Max thickness 15 mm.

Tipo	Colore	EAN	Imballo pz.
Part number	Colour	EAN	Packing pcs.

MCE15		027899	1
-------	--	--------	---

MLA15



Lama di ricambio per MCE15.
Spare blade for MCE15.

Tipo	Colore	EAN	Imballo pz.
Part number	Colour	EAN	Packing pcs.

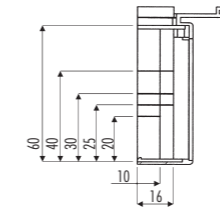
MLA15		027905	1
-------	--	--------	---

Tipo / Type	Sezione geometrica Working section mm ²	Numero conduttori mm N. of electric wires mm				Ø max cavo cable	MINI E MINI EV	MINI I MINI IV	MINI L	MINI T	MINI G	MINI S MINI A
		1,5	2,5	4	6							
G21 10x10		48	2	1	1	1						
G41 20x10		128	8	6	4	3	8			20	20	
MS201 20x10		128	8	6	4	3	8			20	20	
MS301 30x10		208	9	7	5	4	8			20	20	
MS4010 40x10		A 125 B 125	7 7	5 5	3 3	2 2	8 8			40	40	
MS6010 60x10		A 125 B 125 C 125	7 7 7	5 5 5	3 3 3	2 2 2	8 8 8			60	60	
BS11 16x16		180	10	8	6	4	12			16	16	
BS21 25x16		320	18	14	9	6	12			25	25	
BS31 40x16		A 215 B 215	18 18	12 12	9 9	5 5	12 12			40	40	
BS61 60x16		A 215 B 215 C 215	18 18 18	12 12 12	9 9 9	5 5 5	12 12 12			60	60	
G20 15x18		195	10	8	6	4	12			15	15	
G44 25x20		335	18	14	9	6	17			25	25	
G45 40x20		A 271 B 271	16 16	11 11	7 7	5 5	17 17			40	40	
G46 60x20		A 285 B 285 C 285	15 15 15	11 11 11	7 7 7	5 5 5	17 17 17			60	60	

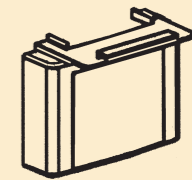
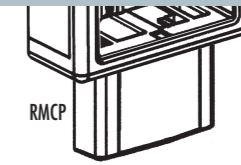
RMCP

Raccordo per scatole porta utenze.
Junction of socket boxes.
91x63x24 mm

Per canali / For trunkings
min 20x10 mm - max 60x16 mm

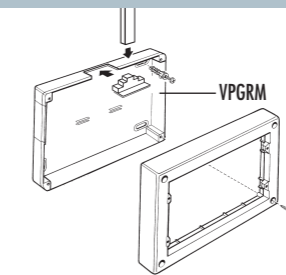
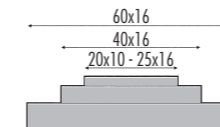


Fratturare lungo le linee pretranciate, secondo la dimensione del canale.
Cut along the pre-cut lines, according to the dimension of the trunking.



VPGRM

Adattatore per derivare minicanali dalle scatole porta utenze.
Adaptor for junction between minitrunkings and socket boxes.

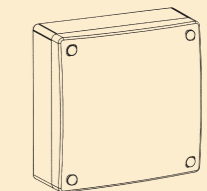
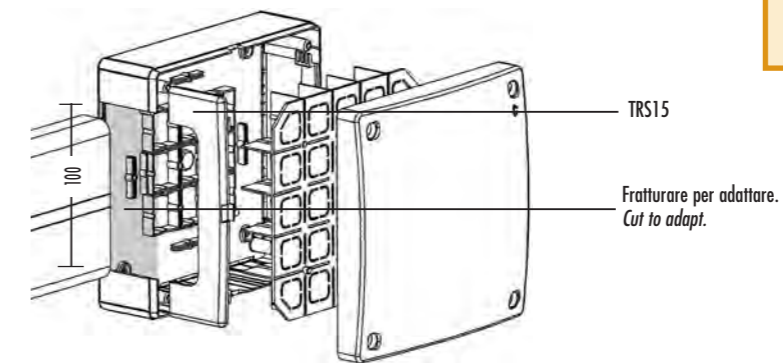


Inserire sulla parete pretranciata della scatola l'accessorio VPGRM adattato alle misure del minicanale. Posizionare e fissare la scatola al muro.
Insert on the pre-cut wall of the box the VPGRM accessory according to the minitrunking size. Place and fix the box onto the wall.

TRS1440

Scatola di derivazione.
Junction box.
150x150x65 mm

Per derivare, sui 4 lati, canali sino a 120x40 mm (Tipo G).
For junction, on all sides, 120x40 mm trunking (Type G).



Dati tecnici. Technical data.

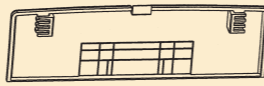
TRS15

Adattatore.
Junction box.
140x40 mm

Per derivare dalle scatole TRS1440 e dal centralino TRS16.
For junction between the TRS1440 boxes
and the TRS16 switchboard.
Minicanali / Minitrunkings H=10-16-20 mm.

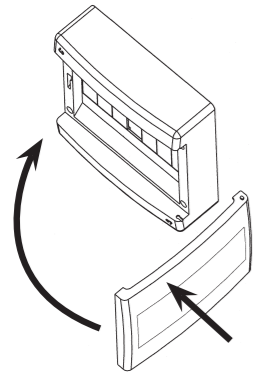
Minicanali derivabili con l'utilizzo dell'accessorio TRS15MN.
Minitrunkings derivations with accessory TRS15MN.

BxH	BxH	BxH
20 x 10	25 x 16	25 x 20
30 x 10	40 x 16	40 x 20
40 x 10	60 x 16	60 x 20
60 x 10		

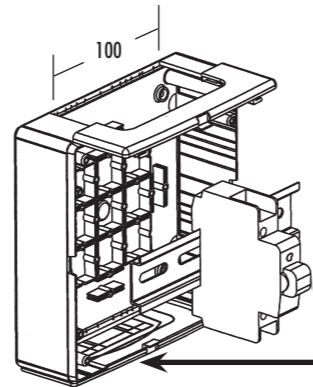
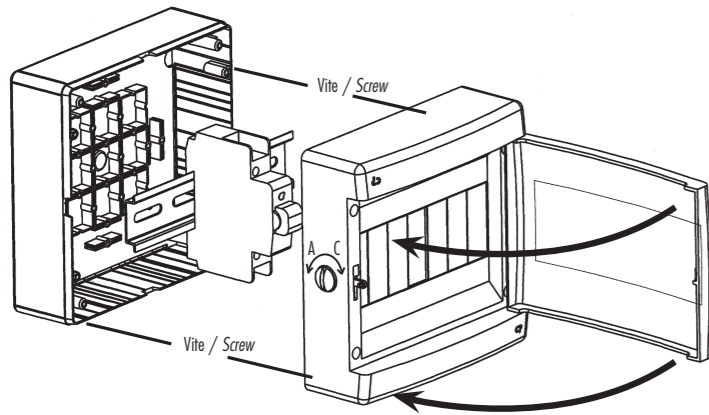


TRS16

Centralino a 7 moduli.
Switchboard at 7 modules.
150x150x90 mm



7 moduli max. Possibilità di derivare canali solo sul lato superiore ed inferiore. Max 125x50. Potenza massima dissipabile: 9 Watt secondo norme CEI 23-48, 23-49.
7 modules max. Junction of the trunkings, on higher and lower sides only. Max 125x50. Max dissipable power: 9 Watt, according CEI standard 23-48, 23-49.



Ingressi canali e adattatori.
Trunkings and adaptor entries.

Fissare centralmente il profilo Omega sul fondo della scatola (con le viti in dotazione) nelle sedi contrassegnate.
Incastrare gli interruttori e procedere al loro cablaggio.
Montare il coperchio ed il coperchietto trasparente fissando con le apposite viti.
Centrally fix the profile Omega on the bottom of the box (with the supplied screws) in the marked points.
Insert the interrupters and proceed to their wiring.
Climb on the cover and the transparent little cover fixing with the special screws.

Dati tecnici. Technical data.

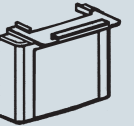
SCS

Interasse / Interaxis
60/55 mm
100x90x50 mm

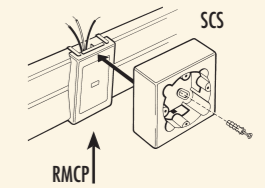


Accessori specifici per ogni singola scatola portautenze.
Specific accessories for each socket box.

RMCP

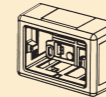


Raccordo per scatole porta utenze.
Junction of socket boxes.



VPG18S

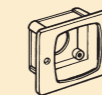
Interasse / Interaxis
83,5 mm (mod. 503)
130x90x50 mm



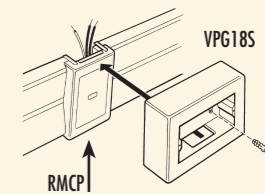
TRIO3

TRIO5

Adattatore per prese telefoniche.
Adaptor for telephone plugs.

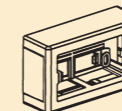


Adattatore per connettori EDP o coperchio di chiusura per VPG18S usata come scatola di derivazione.
Adaptor for EDP connectors or closing cover for VPG18S used as junction box.



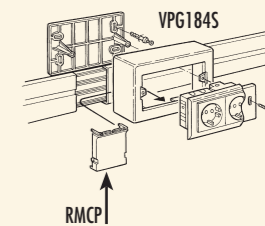
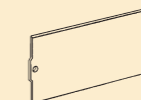
VPG184S

Interasse / Interaxis
108 mm (mod. 504)
150x90x50 mm



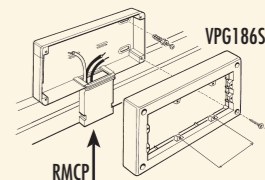
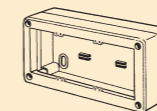
VPGTC4

Coperchio di chiusura per VPG184S usata come scatola di derivazione.
Closing cover for VPG184S used as junction box.
125x65 mm



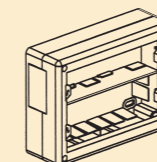
VPG186S

Interasse / Interaxis
100 mm - 6 posti / places
60/70 mm
202x92x63 mm



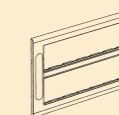
VPG1812S

Interasse / Interaxis
164 mm x 2 - 12 posti / places
202x150x63 mm

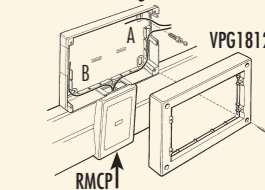


VPM12

Placca porta utenze. (12 posti)
Front plate socket panel. (12 places)
190x140 mm



Fratturare le lamelle per il passaggio dei cavi dove necessario. Break along fracture line where required.



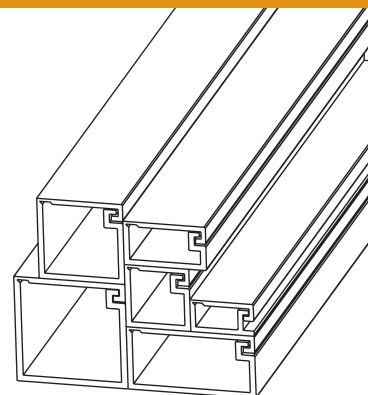
Minicanali con coperchio integrato e adesivo sul fondo.

PVC Rigido Autoestinguente Classe 1 (UL94-VO).

Minitrunkings with hinged cover and adhesive base.

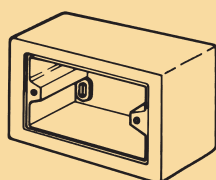
Self-extinguishing rigid PVC Class 1 (UL94-VO).

Tipo	Dimensioni BxH mm	Colore	EAN	Imballo m	S.G. mm ²	Lung. barre m	Cartone peso Kg
Part number	Duct Size BxH mm	Colour	EAN Code	Standard Carton m	G.S. mm ²	Length m	Carton Weight Kg
MA015	10x5	<input type="checkbox"/>	041512	240 (8x30)	24	2	9,6
MA117	12,5x7,5	<input type="checkbox"/>	041536	240 (10x24)	57	2	14,2
MA211	10x10	<input type="checkbox"/>	041550	240 (10x24)	64	2	14,2
MA215	15x10	<input type="checkbox"/>	041598	96 (8x12)	118	2	7,0
MA221	20x10	<input type="checkbox"/>	041567	120 (10x12)	144	2	11,5
MA312	12,5x12,5	<input type="checkbox"/>	041574	160 (10x16)	110	2	12,0
MA418	18,5x18,5	<input type="checkbox"/>	041581	72 (6x12)	256	2	9,0



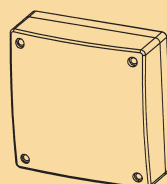
COLORI B = Bianco / White
COLOURS Type 9001

SC503



Scatola portautenze con interasse 83,5 (Mod. 503).
Pareti prefabbricate per l'ingresso dei minicanali.
Socket box for switches with centres of 83,5
(Mod.503). Prefabricated walls for minitrunkings entry.
GWT= T850°

SCM090



Scatola di derivazione per minicanali.
Junction box for minitrunking.
min 20x10 - max 60x30

Tipo	Colore	BxH mm
Part number	Colour	BxH mm

MA015	<input type="checkbox"/>	10x5
MA117	<input type="checkbox"/>	12,5x7,5
MA211	<input type="checkbox"/>	10x10
MA215	<input type="checkbox"/>	15x10
MA221	<input type="checkbox"/>	20x10
MA312	<input type="checkbox"/>	12,5x12,5
MA418	<input type="checkbox"/>	18,5x18,5

Tipo	Colore	EAN	Imballo pz.
Part number	Colour	EAN	Packing pcs.

SC503	<input type="checkbox"/>	081266	9
SCM090	<input type="checkbox"/> B	043219	10