

PRODUCT FAMILY DATASHEET

OUTDOOR FACADE BELT

Luminaires with modern design and light outlet up and down



AREAS OF APPLICATION

- Outdoor
- Building facades
- Entrance lighting

PRODUCT BENEFITS

- Energy-efficient thanks to LED technology
- 5 years guarantee
- Easy and quick installation
- Homogeneous light output

PRODUCT FEATURES

- Bright and functional outdoor LED luminaires
- Type of protection: IP54
- Die-cast aluminum housing
- Available in round and square form
- Diffuser made of opal PMMA

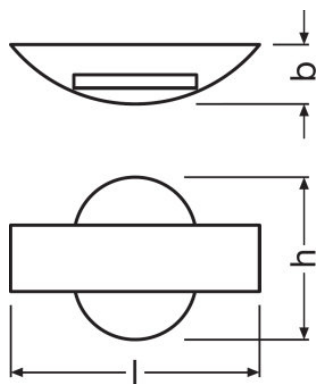


TECHNICAL DATA

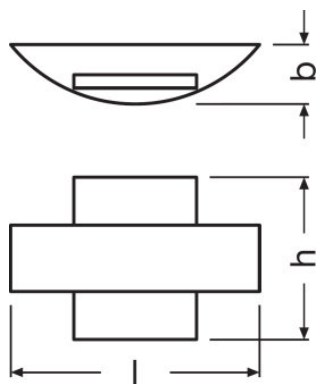
Product description	Electrical data	Luminaire control gear data			Photometric data	Light technical data	Dimensions & weight		
	Nominal wattage	Max. no. of lum. on circuit break. B16 A	Max. no. of lum. on circuit break. C10 A	Max. no. of lum. on circuit break. C16 A	Luminous flux	Beam angle	Length	Width	Height
O FACADE BELT RD 11 W 3000 K IP54 GY	11.00 W	75	96	60	400 lm	335.00 °	60.0 mm	240.0 mm	142.0 mm
O FACADE BELT SQ 11 W 3000 K IP54 GY	11.00 W	75	96	60	410 lm	340.00 °	60.0 mm	240.0 mm	142.0 mm

Product description	Product weight	Colors & materials	Temperatures & operating conditions	Lifespan			Additional product data
		Product color	Ambient temperature range	Lifespan L70 at 25 °C	Lifespan L80 at 25 °C	Lifespan L90 at 25 °C	Mounting type
O FACADE BELT RD 11 W 3000 K IP54 GY	720.00 g	Gray	-20...40 °C	30000 h	- h	- h	Surface
O FACADE BELT SQ 11 W 3000 K IP54 GY	750.00 g	Gray	-20...40 °C	30000 h	- h	- h	Surface

Product description	Mounting location	Capabilities
		Dimmable
O FACADE BELT RD 11 W 3000 K IP54 GY	Wall	No
O FACADE BELT SQ 11 W 3000 K IP54 GY	Wall	No



O FACADE BELT RD 11 W 3000 K IP54
GY



O FACADE BELT SQ 11 W 3000 K IP54
GY

EQUIPMENT / ACCESSORIES

- Complete mounting and connecting accessories included

APPLICATION ADVICE

For more detailed application information and graphics please see product datasheet.

LOGISTICAL DATA

Product code	Packaging unit (Pieces/Unit)	Dimensions (length x width x height)	Gross weight	Volume
4058075074989	Shipping carton box 6	600 mm x 220 mm x 290 mm	5616.00 g	38.28 dm ³
4058075075009	Shipping carton box 6	600 mm x 220 mm x 290 mm	5796.00 g	38.28 dm ³

Product code	Packaging unit (Pieces/Unit)	Dimensions (length x width x height)	Gross weight	Volume
--------------	------------------------------	--------------------------------------	--------------	--------

The mentioned product code describes the smallest quantity unit which can be ordered. One shipping unit can contain one or more single products. When placing an order, for the quantity please enter single or multiples of a shipping unit.

REFERENCES / LINKS

For Guarantee see

▶ www.ledvance.com/guarantee

DISCLAIMER

Subject to change without notice. Errors and omission excepted. Always make sure to use the most recent release.