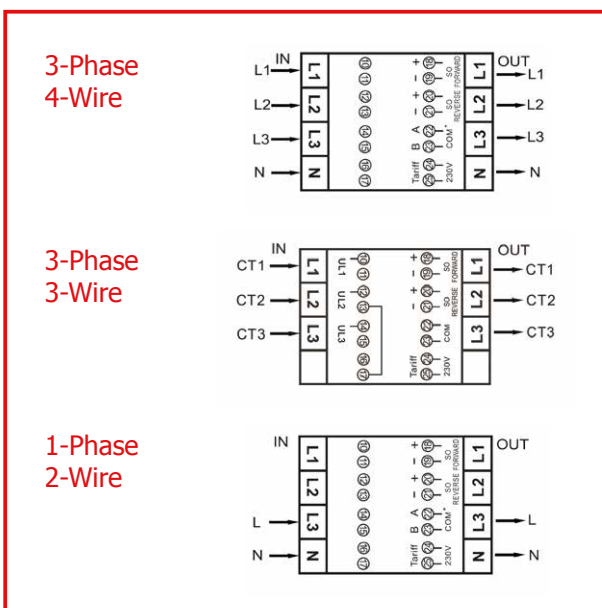
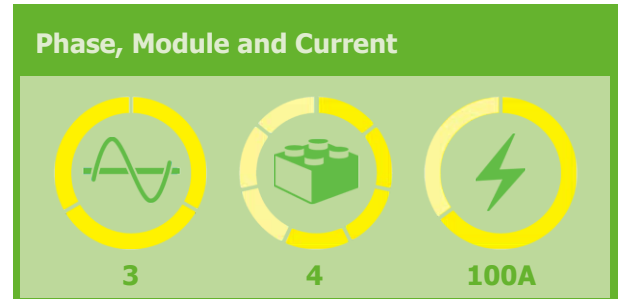


PRO380 - MID - Modbus/M-bus

The PRO380 series is a range of 4 module, three phase smart Energy Meters consisting of 3 different types each with their specific characteristics. They have an exceptional combination of a high accuracy class (1/B) and a broad temperature range of -40°C - $+70^{\circ}\text{C}$.

The PRO380 series is available as a standard version (with a selectable S0 output) and also as a Modbus or M-bus version. It can communicate and be programmed via an infra-red input. The different communication modes have over 60 variables like; kWh, active and reactive energy, forward and reverse energy as well as Cos phi.

The PRO380 smart energy meter is equipped with a resettable day counter and the total energy usage can be calculated via 5 different modes.



* No communication on the PRO380-S

“The most complete 3-phase din-rail meter in the market”

Specifications

PRO380

Technical specifications

- Height with protection cover : 140mm
- Height without protection cover : 92,4mm
- Width : 70mm
- Depth : 63mm
- Mounting : DIN rail
- Active energy : $\pm 1\%$
- Starting current : 0,05I_b
- Impulse SO duration : T-on: 45ms T-off: 270ms T-t: 140us
- Operating humidity : $\leq 75\%$
- Storage humidity : $\leq 95\%$
- Operating temperature : $-40^{\circ} \sim +70^{\circ}\text{C}$
- Storage temperature : $-40^{\circ} \sim +70^{\circ}\text{C}$
- Nominal Voltage (Un) : 230/400V AC
- Operational Voltage : 100/173V \sim 270/468V
- AC Voltage withstand for 1 min : 4KV
- Impulse voltage 1.2uS Waveform : 6KV
- Basic current (I_b) : 5A
- Max current (I_{max}) : 100A
- Operational current range : 0,4%I_b~I_{max}
- Over current withstand : 30I_{max} for 0.01s
- Operational frequency range : 45-60Hz
- Int. power consumption : $\leq 2\text{W/Phase} - \leq 10\text{VA/Phase}$
- Basic error : standard
- International standard / protocol : EN50470-3
- IP protection : 51
- Protective class : II
- Calculation of total energy : Forward, Forward+Reverse, Forward-Reverse, Reverse-Forward, Reverse
- Warranty : 60 months - Year 1-2 100%, Year 3 75%, Year 4 50%, Year 5 25%

Different models

Article number	MID	Phase	Mod.	Cur.	Com.	Display	Digits	Con. mode	SO	Back-light	Acc. Class	Tarriff	SO pulse output
0255 PRO380-S	Yes	3	4	100A	x	LCD	6+2	direct	2	yes	B	x	Selectable ¹
0256 PRO380-Mb	Yes	3	4	100A	M-bus	LCD	6+2	direct	2	yes	B	2	Selectable ¹
0257 PRO380-Mod	Yes	3	4	100A	Modbus	LCD	6+2	direct	2	yes	B	2	Selectable ¹
0269 PRO380-S	x	3	4	100A	x	LCD	6+2	direct	2	yes	B	x	Selectable ¹
0270 PRO380-Mb	x	3	4	100A	M-bus	LCD	6+2	direct	2	yes	B	2	Selectable ¹
0271 PRO380-Mod	x	3	4	100A	Modbus	LCD	6+2	direct	2	yes	B	2	Selectable ¹

¹ selectable options: 10.000-1.000-100-10-1-0.1-0.01