

Description

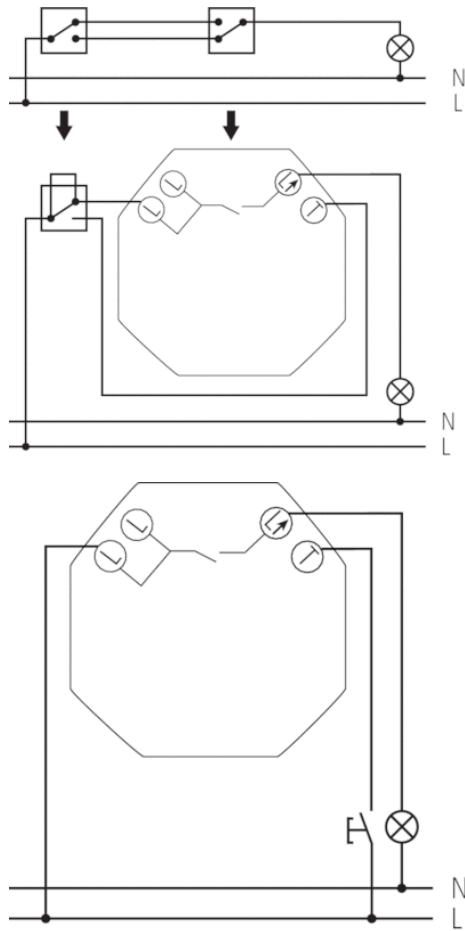


- Motion detector (PIR)
- Automatic lighting control based on presence and brightness
- Wall installation
- Compatible with branded switches, replaces conventional light switches
- 2 wire connection, ideal for retrofitting
- Light switch output (triac, 230 V AC)
- Mixed light measurement suitable for incandescent and halogen lamps (no electronic ballast)
- Area limit via lens attachment
- Manual AUTO/ON/OFF switching by simple adjustment of cover flap
- Teach-in of current brightness value
- Advance shut-off warning through dimming 15 seconds before light switches off
- Instant start-up possible via factory preset
- No unintentional adjustment due to covered up controls
- Adjustable brightness switching value and switch-off delay
- Sensitivity can be reduced to limit detection area
- Pulse function
- Test function

Technical data

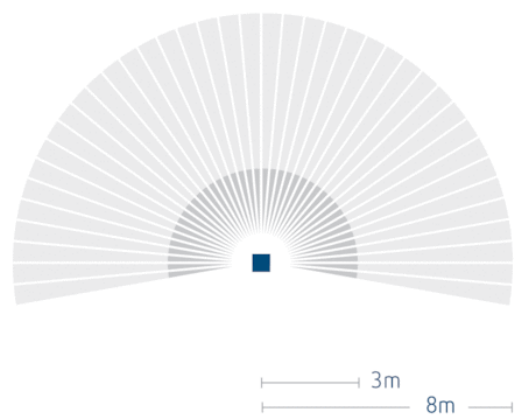
Operating voltage	230 V AC
Frequency	50 Hz
Stand-by consumption	~0,7 W
Light measurement	Mixed light measurement
Number of channels	1
Type of contact	Triac
Installation type	Flush-mounted wall installation
Setting range brightness	10 – 1000 lx Infinitely adjustable
Switching capacity light	2 A (at 230 V AC, $\cos \varphi = 1$),
Detection angle	200°, circular
Recommended installation height	1,2 – 2 m
Light switch-off delay	20 s–30 min
Incandescent lamp load	400 W
Lamps	Incandescent/halogen lamps
Ambient temperature	+0 °C ... +45 °C
Protection class	II
Type of protection	IP 40

Connection example

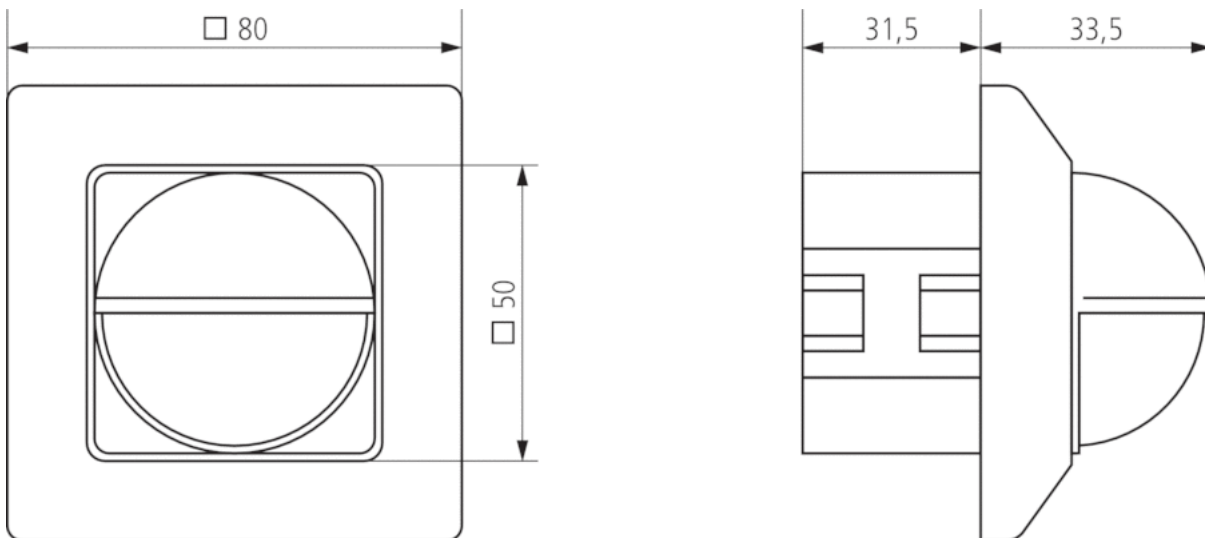


Detection range

Mounting height (A)	Head on to (r)	Diagonally (t)
2 m	3,5 m	8 m



Scale drawings



Accessories

Surface frame LUXA 103-200

- Article number: 9070504
Details ▶ www.theben.de



RC filter

- Article number: 9070523
Details ▶ www.theben.de

