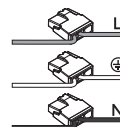


## MOUNTING INSTRUCTION

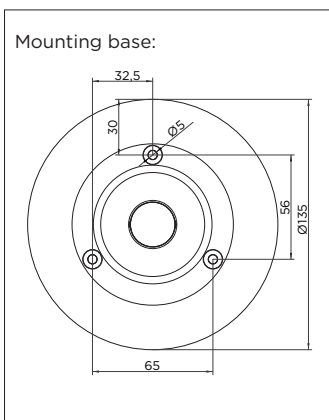
### 1 POWER CONNECTION

Connect to 220-240V.

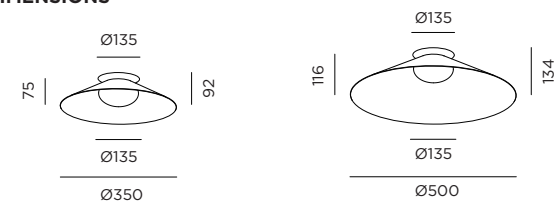


2 Mount the mounting base on the ceiling/wall with screws (screws are not included).

3 Fix the shade on the base by screwing the glass on the base.

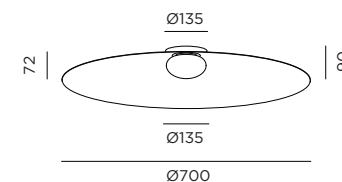


## DIMENSIONS

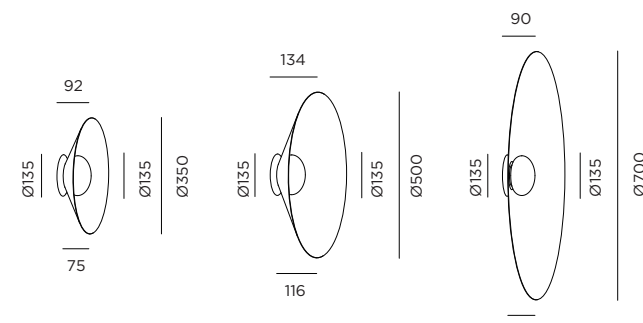


1.0 ceiling

2.0 ceiling



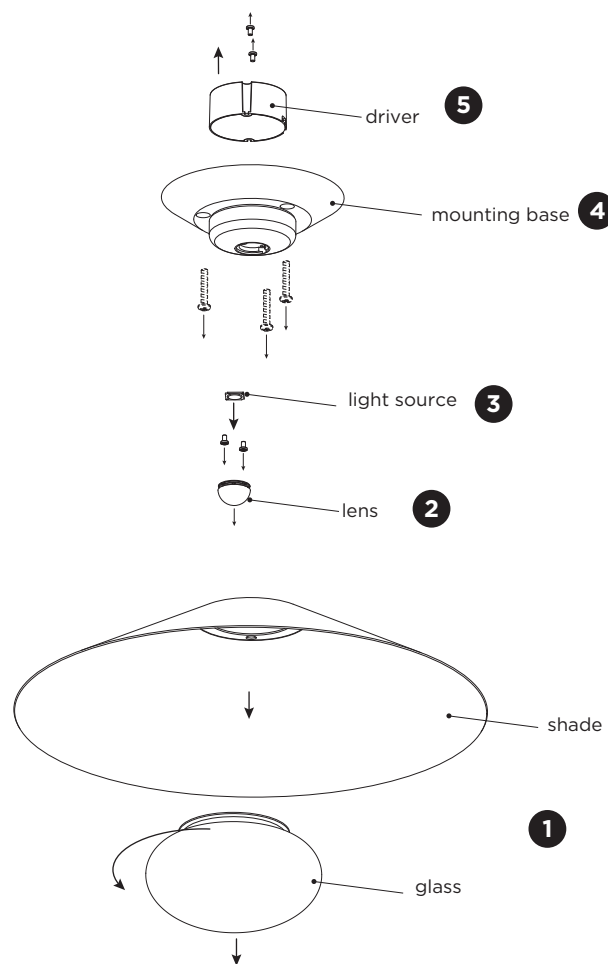
3.0 ceiling



1.0 wall

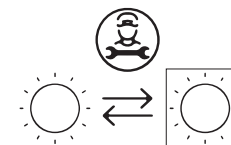
2.0 wall

3.0 wall



## DISMOUNTING INSTRUCTION light source and driver

- 1** Unscrew the glass and then remove the glass together with the shade.
- 2** Remove the lens.
- 3** Remove the light source.
- 4** Remove the mounting base.
- 5** Remove the driver.  
To replace the light source please contact your Wever & Ducre customer service contact point.



This luminaire contains a light source with the energy class F