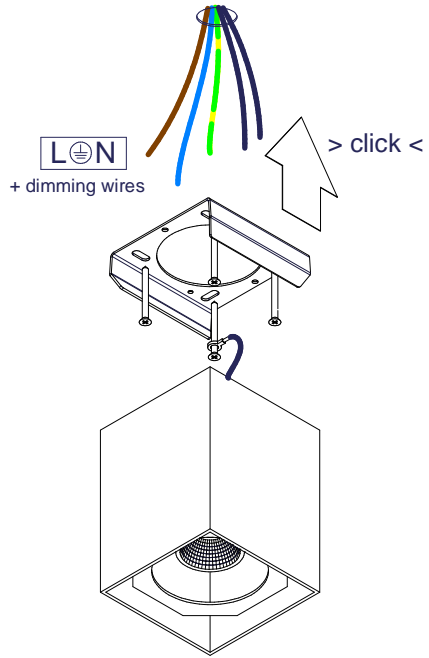


# Smart SBS 82 DALI 1-10/PD GI for LED

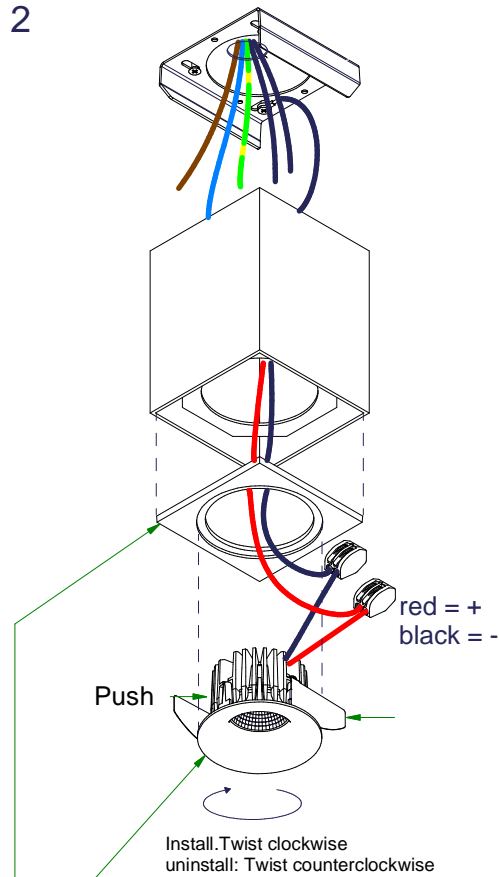
125141XX\_125142XX

Lamp type : LED (500mA)

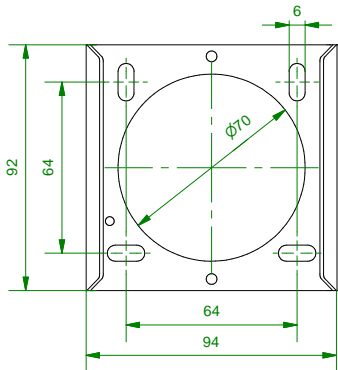
1



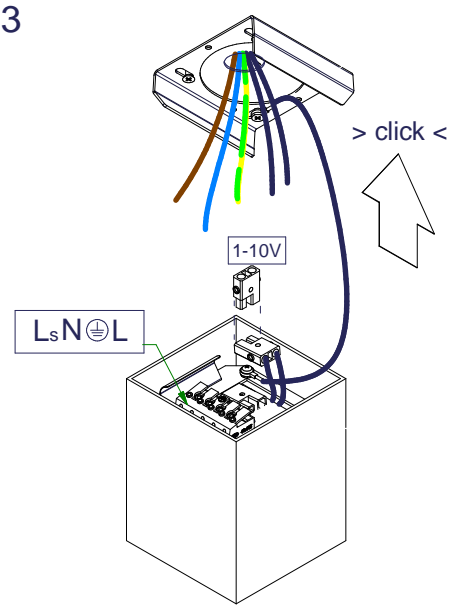
2



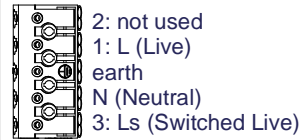
Smart GE not included!  
Mask not included!



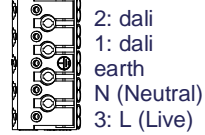
3



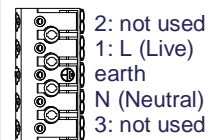
### Push Dim:



### Dali:

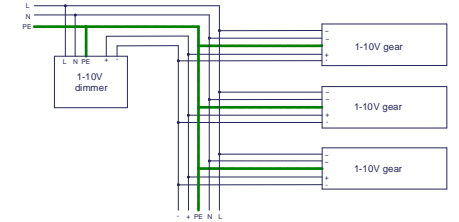


### 1-10V Dimming:

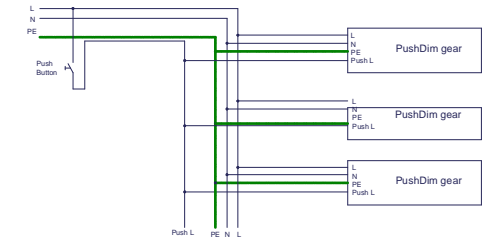


+ red = + / black = -

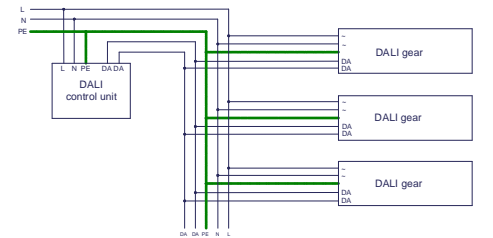
### Sample 1-10V wiring diagram:



### Sample PushDim wiring diagram:



### Sample DALI wiring diagram:



### CAN ONLY BE USED WITH

- 124110XX Smart Cake 82 LED<900L2,7KM GE
- 124410XX Smart Lotis 82 LED<900L2,7KM GE
- 124710XX Smart Kup 82 LED<900L2,7KM GE
- 124111XX Smart Cake 82 LED<900L4KM GE
- 124411XX Smart Lotis 82 LED<900L4KM GE
- 124711XX Smart Kup 82 LED<900L4KM GE

- 124420XX Smart Lotis 82 IP LED<900L2,7KM GE \*
- 124720XX Smart Kup 82 IP LED<900L2,7KM GE \*
- 124120XX Smart Cake 82 IP LED<900L2,7KM GE \*

### MUST BE USED WITH

- 125000XX Smart mask 82 1Lx

\* in combination with Surface Box = IP20

IP20			230V / 50-60Hz		1-10V	Push	DALI				NO UV / IR		
------	--	--	----------------	--	-------	------	------	--	--	--	------------	--	--