

SQUBE ON TRACK

07-01-2015

1.0 LED

2200K: 144163B1

2700K: 144163W2 / 144163B2

LED 6W | 220-240VAC | 50-60Hz | COB2-step | incl. PS

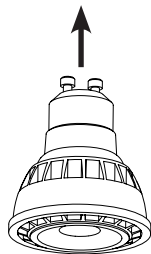
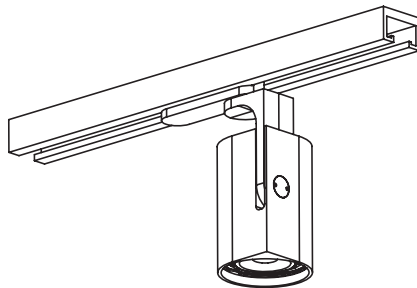
CE \oplus \wedge 36° IP20 \square 960°C \downarrow 0,3m E P U \curvearrowright 90° \curvearrowright 355°

1.0 PAR16

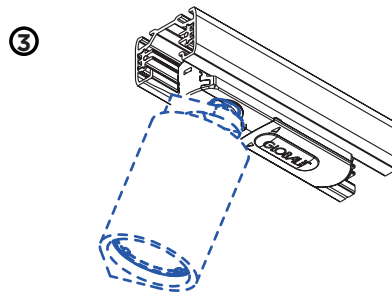
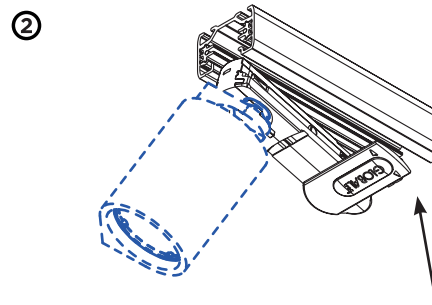
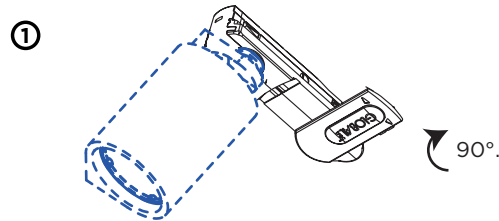
144120W0 / 144120B0

PAR16 max. 50W | GU10 | 220-240VAC | 50-60Hz

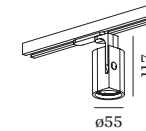
CE \oplus IP20 \square 960°C \downarrow 0,9m E P U \curvearrowright 90° \curvearrowright 355°



1.0 PAR16



DIMENSIONS



① MOUNTING INSTRUCTION

Turn the handle, which is mounted on the fixture, 90°.

②

push the fixture into the track.

③

Turn the handle back.
For PAR16: mount the lamp.

OPTIONAL:

- phase tracks:
90014001 / 90014002 / 90014003 / 90014007 / 90014008 / 90014009
- accessories:
90014018 / 90014019 / 90014020 / 90014021 / 90014022 / 90014023 /
90014024 / 90014025 / 90014026 / 90014027 / 90014028 / 90014029



WEVER & DUCRÉ
LIGHTING

www.weverducre.com

INSTALLATION
INSTRUCTIONS