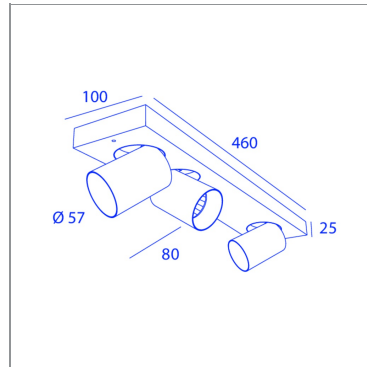


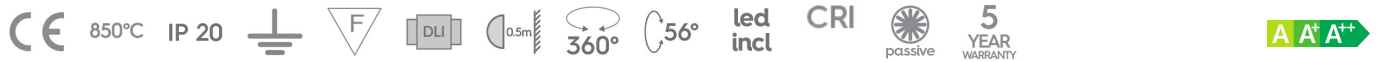


FO96231C CL6_24DW

WH/WH



FO96231C CL6_24DW



SPECIFICATIONS

WEIGHT	1.2kg
INGRESS PROTECTION (IP)	20
GLOW WIRE TEST	850°C
ROTATION	56°

LIGHT SPECIFICATIONS

LIGHT SOURCES	1
BEAM ANGLE	24°
COLOR TEMPERATURE	2200K UP TO 3000K
CRI	90
LIGHT SOURCE POWER (1 LUMINAIRE)	7W
LIGHT SOURCE OUTPUT	1620LM
LUMINAIRE PERFORMANCE	MAX600LM

POWER SPECS

GEAR TRANSFO	included
LAMP POWER	7W
DIMMABLE	IGBT/TRIAC DIMMABLE

COMPLEMENTARY OPTIONS

BS0298 HONEYCOMB D50

REMARKS

- ! 40D beam angle available on request > ref=.._40
- ! Monochrome CCT on request