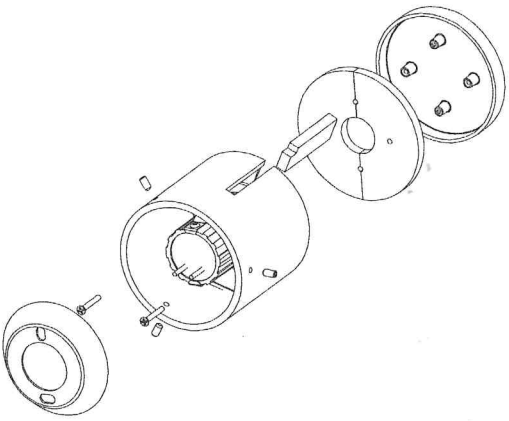
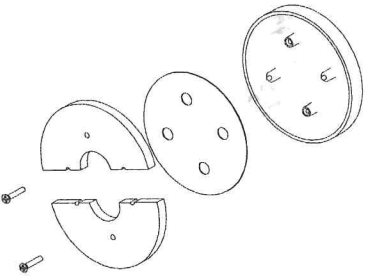


SKOLL ROUND

2010 - SEPTEMBER

recessed



surface

50-60Hz



ROUND LED 3W | IP 67

RECESSED

BS	90-250V	24VDC	700mA
CW	850701	850704	850707
WW	850702	850705	850708
BL	850703	850706	850709
incl. pow. supp.			
WIS	90-250V	24VDC	700mA
CW	850711	850714	850717
WW	850712	850715	850718
BL	850713	850716	850719
incl. pow. supp.			
CSL	90-250V	24VDC	700mA
CW	850751	850754	850757
WW	850752	850755	850758
BL	850753	850756	850759
incl. pow. supp.			

DIMENSION HOLES



ROUND LED 3W | IP 67

SURFACE

BS	90-250V	24VDC	700mA
CW	850901	850904	850907
WW	850902	850905	850908
BL	850903	850906	850909
incl. pow. supp.			
WIS	90-250V	24VDC	700mA
CW	850911	850914	850917
WW	850912	850915	850918
BL	850913	850916	850919
incl. pow. supp.			
CSL	90-250V	24VDC	700mA
CW	850951	850954	850957
WW	850952	850955	850958
BL	850953	850956	850959
incl. pow. supp.			

POWER CONNECTION

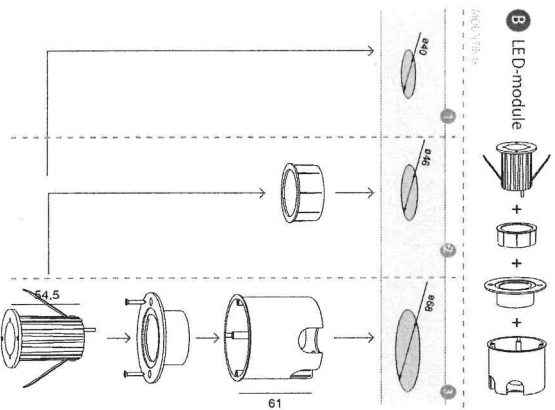
exterior : use always waterproof connection (see manual included).

interior : you can use terminal blocks included

SCREWS



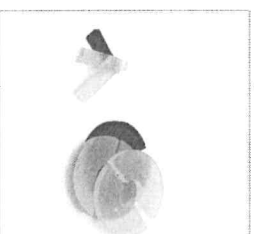
MOUNTING



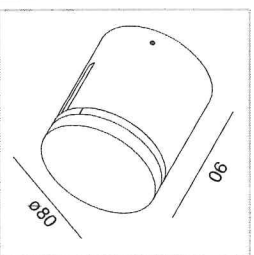
A Cover MOUNTING OPTIONS MODULE 3W



SKOLL ROUND COLOUR FILTER SET
(red - blue - green filter) - 852799



surface



recessed

