



ITEM
DATA SHEET

ISOLED®

DE www.isoled.de
+49 228 30 43 89 85

AT www.isoled.at
+43 5372 219 999

CH www.isoled.ch
+41 44 787 04 75

GU10 LED SPOTLIGHT 8W COB, 10°, 2700K, DIMMABLE

item number: 114066
EAN: 9009377070488

product specification:

material: Aluminum/Plastic
diameter in mm: 50
length in mm: 56
nominal voltage: 220-240V AC
power rating (watt): 7
effective power (watt): 7,4
apparent power (VA): 8,9
colour temperature: 2700K
angle: 10°
lumen: 410
candela: 17148
CRI: 95
ambient temperature: -20° - 40°
hours of operation: 30000
protection class: IP20
dimmable: yes

features:

As with all LED illuminants, air circulation must be provided to an extent that keeps the ambient temperatures within the permissible values!

dimming specifications:

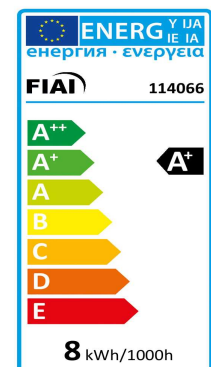
Excellent dimming behaviour with all commercially available dimming actuators (0-100%) | Recommendation: use phase-angle dimming actuator | Absolutely flicker-free over the entire dimming range



ISOLED

For specific test reports, certifications of conformity and further product information feel free to contact our office.

enhanced product specification:





ITEM
DATA SHEET

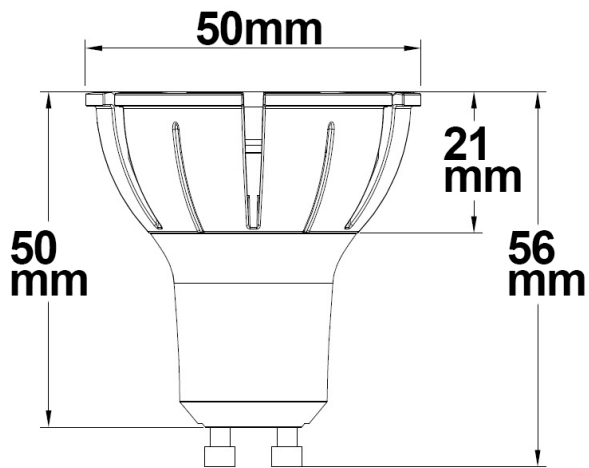
ISOLED®

DE www.isoled.de
+49 228 30 43 89 85

AT www.isoled.at
+43 5372 219 999

CH www.isoled.ch
+41 44 787 04 75

GU10 LED SPOTLIGHT 8W COB, 10°, 2700K, DIMMABLE



ISOLED



114066 10° 410lm

1 m 17.148 lx Ø 0,2 m

2 m 4.287 lx Ø 0,3 m

3 m 1.905 lx Ø 0,5 m

enhanced product specification:



light calculation file

A LDT-file for this lamp / luminaire for your light calculation with DIALUX/Relux can be found on the ISOLED® shop.