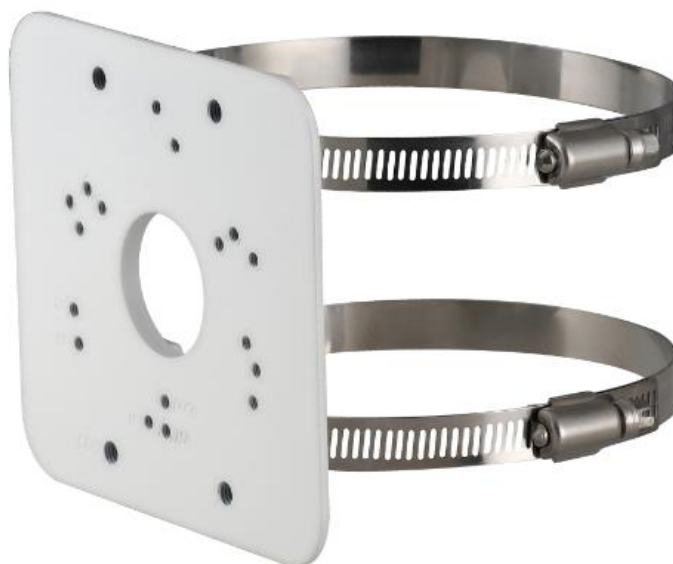


DH-PFA152-E

Pole Mount Bracket



Features

- Material: aluminum & SUS304
- Pole mount bracket
- Aesthetic design

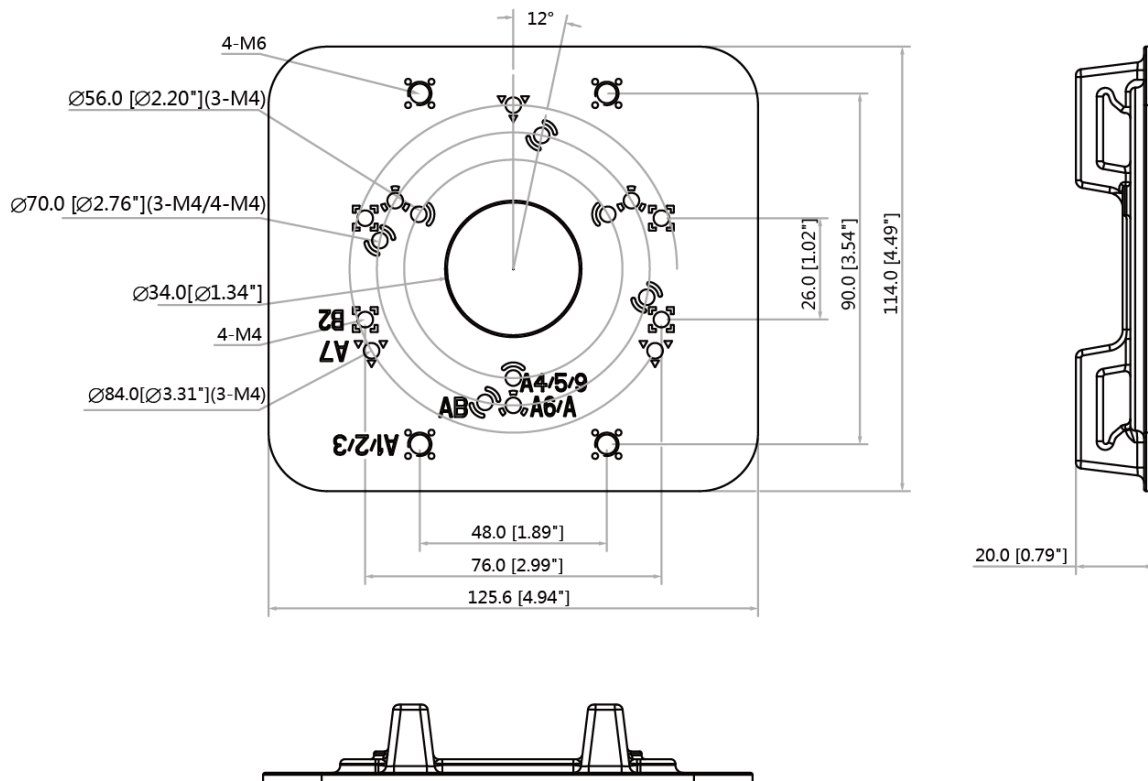
Technical Specifications

Model	DH-PFA152-E
General	
Material	Aluminum & SUS304
Dimension(WxHxD)	125.6mmx114mmx20mm (4.94"x4.49"x0.79")
Mast Diameter	φ80~150mm(φ3.15"~5.91")
Pipe Thread	N/A
Operating Temperature	-40°C ~+60°C (-40°F ~+140°F)
Humidity	<90% RH
Load Bearing	3.0kg(6.61lb)
Weight	0.27kg(0.6lb)
Color	White
Applicable Model	Please see "Accessory Selection"

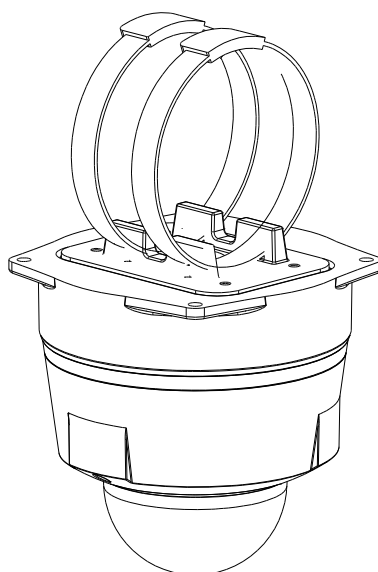
Order Information

Type	Part Number	Description
Camera Mount	DH-PFA152-E	Pole mount bracket
	PFA152-E	Pole mount bracket

Dimensions (mm/inch)



Application



Package Information

- Pole mount bracket *1
- M4 screw *4
- M6 screw *4
- Wrench *1
- Metal hoop: 2