

# REO OK S1/S2



Correcte verwijdering van dit product (Elektrische & elektronische afvalapparatuur)  
 Comment éliminer ce produit (Déchets d'équipements électriques et électroniques)  
 Korrekte Entsorgung dieses Produkts (Elektromüll)  
 Correct disposal of this product (Waste electrical & electronic equipment)  
 Eliminación correcta de este producto (Material eléctrico y electrónico de descarte)  
 Corretto smaltimento del prodotto (Rifiuti elettrici ed elettronici)



Enkel geschikt voor toestellen op zeer lage spanning (minder dan 50 V AC)  
 Convient uniquement pour les produits à très basse tension (moins de 50 V AC)  
 Geeignet für Güter mit sehr niedriger Spannung (unter 50 V AC)  
 Only suited for goods at very low voltage (below 50 V AC)  
 Se recomienda únicamente para aquellos productos de tensión muy baja (menos de 50 V AC)  
 Vale unicamente per i prodotti a tensione molto bassa (inferiore a 50 V AC)



Toestel niet geschikt om te worden afgedekt met thermische isolatie.  
 Luminaire not suitable for covering with insulating material.  
 Luminaires non appropriées pour recouvrement d'un matériau isolant thermique.  
 Das Gerät/Die Leuchte darf nicht abgedeckt werden mit thermischer Isolation.  
 Luminaria no apta para cubrir con material aislante.  
 Apparecchio non adatto per essere coperto da materiale isolante.



Installeer het armatuur enkel in ruimten waar direct contact met water onmogelijk is.  
 Cet équipement doit être installé dans des pièces hors de toute projection d'eau.  
 Diese Leuchte darf nur in Räumen verwendet werden, in denen ein direkter Kontakt mit Wasser nicht möglich ist.  
 This fitting should only be installed in rooms where direct contact with water is impossible.  
 Este aparato solamente puede ser instalado en habitaciones donde el contacto directo con el agua sea imposible.  
 Questo apparecchio di illuminazione deve essere installato solamente in locali in cui il contatto con l'acqua è impossibile.



Gelijks troomtoevoer  
 Alimentation DC  
 GS-Zufuhr  
 DC supply  
 Alimentación de CC  
 Alimentazione CC



Bevestiging plafond inbouw  
 Montage plafond encastré  
 Montage decke eingebaut  
 Fixation ceiling recessed  
 Montaje techo empotrado  
 Montaggio soffitto incasso

IP20

Beschermd tegen vaste voorwerpen die groter zijn dan 12 mm  
 Protégé contre les objets solides de plus de 12 mm  
 Geschützt gegen Festkörper größer als 12 mm  
 Protected against solid objects greater than 12 mm  
 Protegido contra objetos sólidos superiores a 12 mm  
 Protetto contro oggetti solidi più grandi di 12 mm

IP23

Beschermd tegen vaste voorwerpen die groter zijn dan 12 mm - Beschermd tegen sproeiwater  
 Protégé contre les objets solides de plus de 12 mm - Protégé contre les pulvérisations d'eau  
 Geschützt gegen Festkörper größer als 12 mm - Geschützt gegen Sprühwasser  
 Protected against solid objects greater than 12 mm - Protected against spraying water  
 Protegido contra objetos sólidos superiores a 12 mm - Protegido contra agua pulverizada  
 Protetto contro oggetti solidi più grandi di 12 mm - protetto contro gli spruzzi d'acqua

# Reo ok S1/S2

Manual/

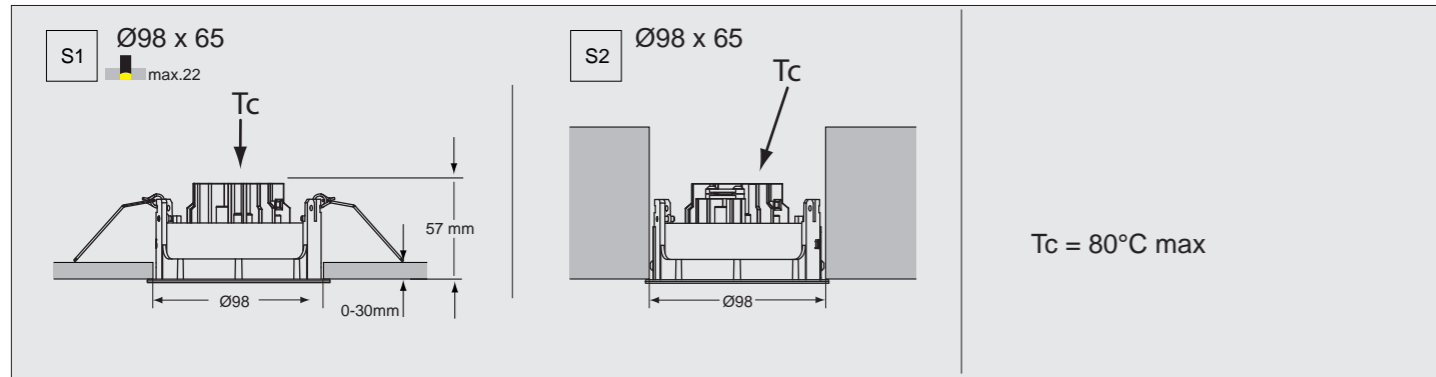
S1

S2

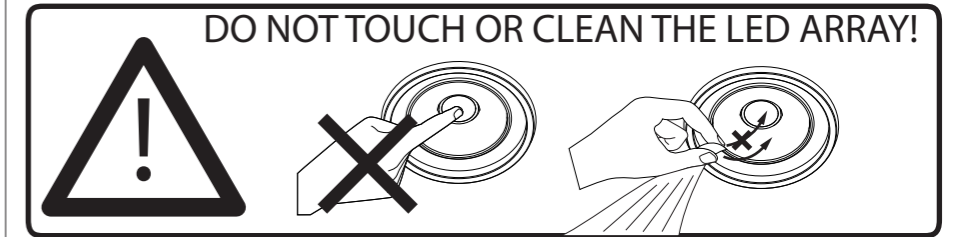
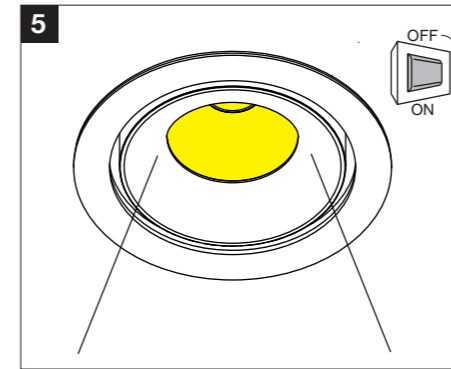
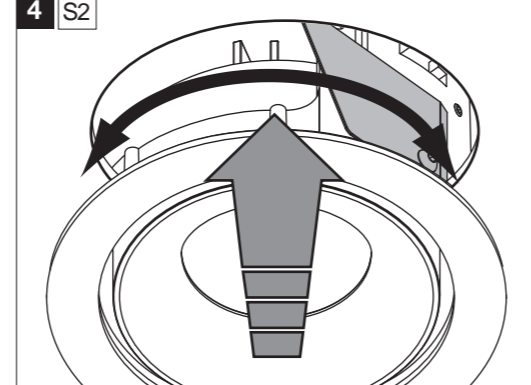
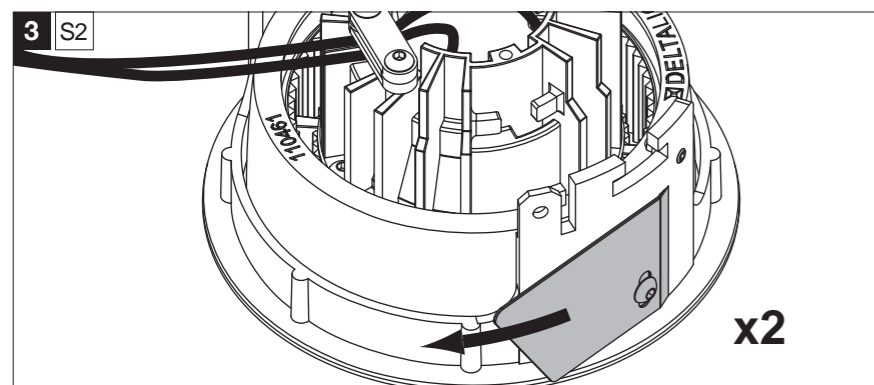
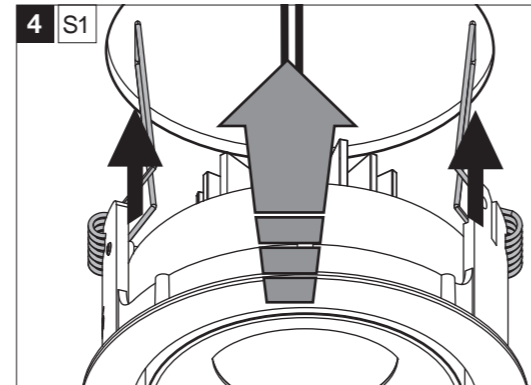
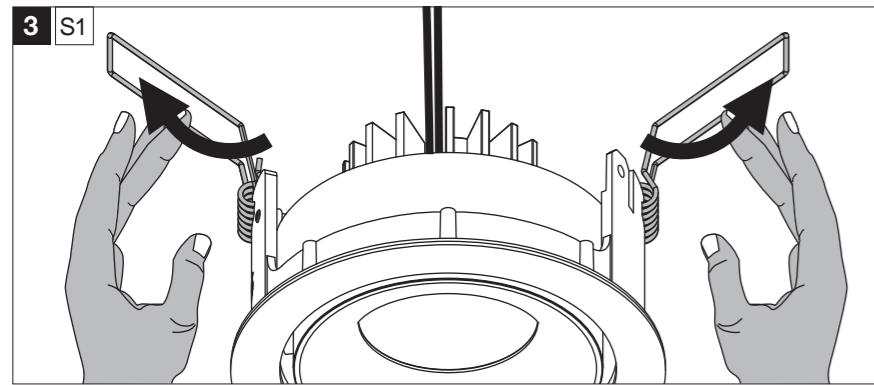
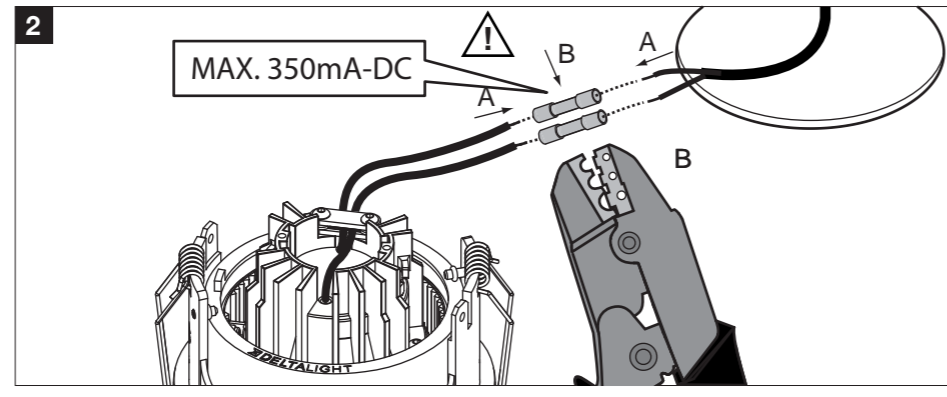
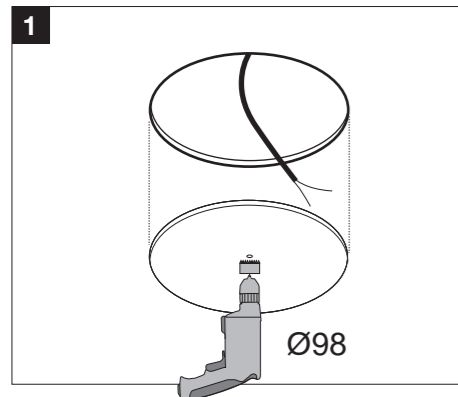
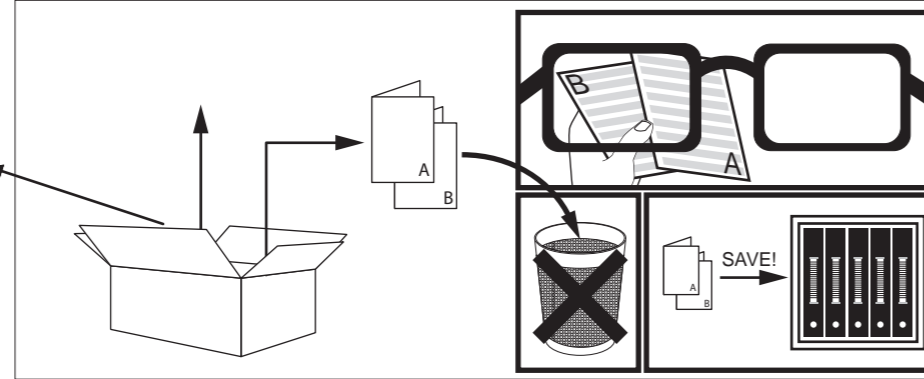
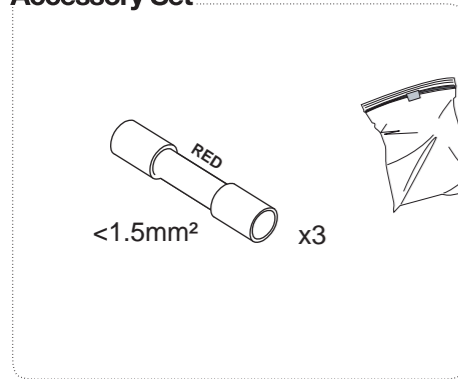
	CRI > 80	CRI > 90	CRI > 80	CRI > 90
<b>4000K</b>	750 lm		750 lm	
REFLECTOR FL-33°	REO OK 4033 S1 202 37 28124 ◇ = A / W		REO OK 4033 S2 202 372 28124 ◇ = A / W	
REFLECTOR WFL-50°	REO OK 4050 S1 202 37 28134 ◇ = A / W		REO OK 4050 S2 202 372 28134 ◇ = A / W	
<b>3000K</b>	660 lm	580 lm	660 lm	580 lm
REFLECTOR FL-33°	REO OK 3033 S1 202 37 28122 ◇ = A / W	REO OK 3033-9 S1 202 37 29122 ◇ = A / W	REO OK 3033 S2 202 372 28122 ◇ = A / W	REO OK 3033-9 S2 202 372 29122 ◇ = A / W
REFLECTOR WFL-50°	REO OK 3050 S1 202 37 28132 ◇ = A / W	REO OK 3050-9 S1 202 37 29132 ◇ = A / W	REO OK 3050 S2 202 372 28132 ◇ = A / W	REO OK 3050-9 S2 202 372 29132 ◇ = A / W
<b>2700K</b>	620 lm	525 lm	620 lm	525 lm
REFLECTOR FL-33°	REO OK 2733 S1 202 37 28123 ◇ = A / W	REO OK 2733-9 S1 202 37 29123 ◇ = A / W	REO OK 2733 S2 202 372 28123 ◇ = A / W	REO OK 2733-9 S2 202 372 29123 ◇ = A / W
REFLECTOR WFL-50°	REO OK 2750 S1 202 37 28133 ◇ = A / W	REO OK 2750-9 S1 202 37 29133 ◇ = A / W	REO OK 2750 S2 202 372 28133 ◇ = A / W	REO OK 2750-9 S2 202 372 29133 ◇ = A / W
	ADJUSTABLE 0° - 30° / 350° INCL. 1 x POWERLED WHITE 7W EXCL. LED POWER SUPPLY 350mA-DC 		ADJUSTABLE 0° - 30° / 350° INCL. 1 x POWERLED WHITE 7W EXCL. LED POWER SUPPLY 350mA-DC 	
	OPTIONS PLASTERKIT 170 LED POWER SUPPLY 350mA-DC / DIM		OPTIONS PLASTERKIT 170 LED POWER SUPPLY 350mA-DC / DIM	

L.L.I.B A4-01





Accessory Set



- Use only power supplies that are certified according to the applicable IEC or UL safety standards.
- Use only SELV power supplies.
- Check the ratings of the power supply with those of the luminaire. The maximum current rating must be taken into account. The indicated typical voltage must not be used to select a constant voltage power supply but is intended to be used to select a constant current power supply that is able to cover that typical voltage.
- Take appropriate ESD measures. Avoid touching bare conductors.
- Leds or led luminaires that require a current controlled power supply must never be connected in parallel.
- Leds can be damaged by the contact with certain chemicals or chemical gasses. Therefore led domes or led engines should never be cleaned with chemical substances.
- The following substances have proven to have a negative influence on the performance and must not be used in the direct environment of a led luminaire.
  - Methyl acetate or ethyl acetate (i.e., nail polish remover)
  - Cyanoacrylates (i.e., "Superglue")
  - Glycol ethers (including Radio Shack® Precision Electronics Cleaner - dipropylene glycol monomethyl ether)
  - Formaldehyde or butadiene (including Ashland PLIOBOND® adhesive)
  - Dymax 984-LVUF conformal coating
  - Loctite Sumo Glue
  - Gorilla Glue
  - Bleach, Bleach-containing cleaners, sprays
  - Loctite 384 adhesive
  - Loctite 7387 activator
  - Loctite 242 threadlocker
- Remove insulation and/or provide sufficient ventilation so that the indicated max Tc is not surpassed.
- Leds are susceptible to switching transients. Therefore switching must be done in the primary circuit of the power supply.
- DELTA LIGHT recommends to use the power supplies that are indicated in the Lighting Bible.
- Respect polarity
- Don't test LED luminaires one by one on a powersupply that is switched on.

