



SMART KUP 82 LED GE

Smart kup is one of the 3 forms of the Smart family. The cone of the Smart kup ends in a fine trim. A trim particular Modular. The same subtle trim is used in several other Modular luminaires. The Smart family's styling is based on our most popular designs. Concretely this means that the luminaires consist of a light source (LED or halogen) which can be combined with one of three trims to suit your needs. The new spotlights can be combined with Smart mask, Smart surface box or surface tubed to form the perfect solution for any interior. Choose a white, black or gold finishing. Also available in different sizes, fix and adjustable, IP version, ...

Art. Nr. 12471809

SPECIFICATIONS

Lamp	1x LED Array	
Gear / Transfo	LED gear not incl.	
Cut-out size	ø 70 h 60	
Weight	0.36kg	
Min. Distance	0.1 m	
IP	IP20	
Glow Wire Test	960°	
Source lifetime	50000 hrs	
CRI	90	
Power supply	500mA	350mA
	18.4Vf	17.8Vf
Connected load	9.2W	6.2W
Lumen	792lm	630lm
Efficacy	86lm/W	102lm/W
UGR	18	17
Adjustability	Not Applicable	
Remark	! 3500K on request ! can be combined with Smart mask ! can be combined with Smart surface box & surface tubed (surface/suspension)	

	WARM WHITE 2700K / CRI 90+			NEUTRAL WHITE 4000K / CRI 90+			WARM WHITE 3000K / CRI 90+		
	MEDIUM 25°	FLOOD 40°	SPOT 15°	MEDIUM 25°	FLOOD 40°	SPOT 15°	MEDIUM 25°	FLOOD 40°	SPOT 15°
black struc	12471032	12471232	12471632	12471132	12471332	12471832	12471432	12471532	12471732
gold	12471046	12471246	12471646	12471146	12471346	12471846	12471446	12471546	12471746
white struc	12471009	12471209	12471609	12471109	12471309	12471809	12471409	12471509	12471709



This label is available in other languages:
<http://supermodular.com/assets/TYPE2.pdf>



SMART KUP 82 LED GE

ACCESSORIES

GYPKIT

12290130	GYPKIT 190X190 - Ø70
12291030	GYPKIT 210X190-2XØ70

CONBOX

10889830	CONBOX 190X192X130X256
----------	------------------------

SURFACE-TUBED

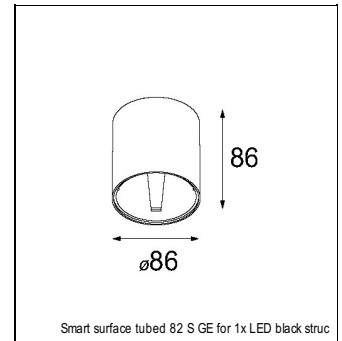
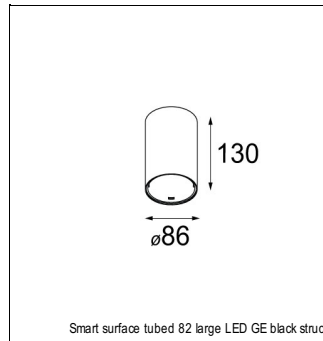
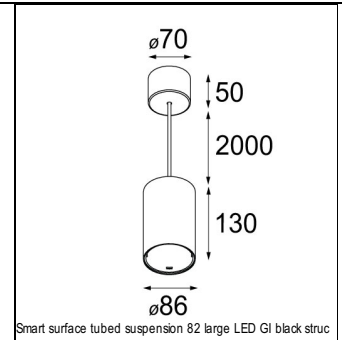
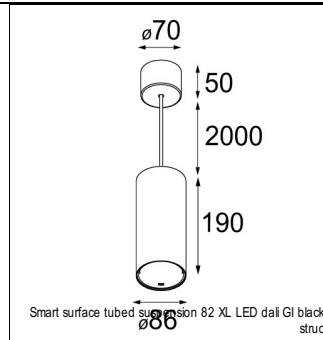
12842432	SMART SURFACE TUBED SUSPENSION 82 XL LED DALI GI BLACK STRUC
12842424	SMART SURFACE TUBED SUSPENSION 82 XL LED DALI GI BRUSHED ALU
12842409	SMART SURFACE TUBED SUSPENSION 82 XL LED DALI GI WHITE STRUC
12842232	SMART SURFACE TUBED SUSPENSION 82 XL LED TRE DIM GI BLACK STRUC
12842224	SMART SURFACE TUBED SUSPENSION 82 XL LED TRE DIM GI BRUSHED ALU
12842209	SMART SURFACE TUBED SUSPENSION 82 XL LED TRE DIM GI WHITE STRUC
12842032	SMART SURFACE TUBED SUSPENSION 82 LARGE LED GI BLACK STRUC
12842024	SMART SURFACE TUBED SUSPENSION 82 LARGE LED GI BRUSHED ALU
12842009	SMART SURFACE TUBED SUSPENSION 82 LARGE LED GI WHITE STRUC
12842332	SMART SURFACE TUBED SUSPENSION 82 XL LED 1-10V/PUSHDIM GI BLACK STRUC
12842324	SMART SURFACE TUBED SUSPENSION 82 XL LED 1-10V/PUSHDIM GI BRUSHED ALU
12842309	SMART SURFACE TUBED SUSPENSION 82 XL LED 1-10V/PUSHDIM GI WHITE STRUC
12845032	SMART SURFACE TUBED 82 LARGE LED GE BLACK STRUC
12845024	SMART SURFACE TUBED 82 LARGE LED GE BRUSHED ALU
12845009	SMART SURFACE TUBED 82 LARGE LED GE WHITE STRUC
12844032	SMART SURFACE TUBED 82 LARGE LED GI BLACK STRUC
12844024	SMART SURFACE TUBED 82 LARGE LED GI BRUSHED ALU
12844009	SMART SURFACE TUBED 82 LARGE LED GI WHITE STRUC
12841032	SMART SURFACE TUBED 82 S GE FOR 1X LED BLACK STRUC
12841009	SMART SURFACE TUBED 82 S GE FOR 1X LED WHITE STRUC

RECESSED-FRAME

12500230	RECESSED RING Ø70 H100
----------	------------------------

MASK

12500132	SMART MASK 82 2X BLACK STRUC
12500146	SMART MASK 82 2X GOLD
12500160	SMART MASK 82 2X WHITE STRUC



ACCESSORIES

SURFACE-BOX

12515132	SMART SURFACE BOX 82 1-10V/PUSHDIM GI FOR 2X LED GE BLACK STRUC
----------	---

12515109	SMART SURFACE BOX 82 1-10V/PUSHDIM GI FOR 2X LED GE WHITE STRUC
12515032	SMART SURFACE BOX 82 GI FOR 2X LED GE BLACK STRUC
12515009	SMART SURFACE BOX 82 GI FOR 2X LED GE WHITE STRUC
12514132	SMART SURFACE BOX 82 1-10V/PUSHDIM GI FOR 1X LED GE BLACK STRUC
12514109	SMART SURFACE BOX 82 1-10V/PUSHDIM GI FOR 1X LED GE WHITE STRUC
12514032	SMART SURFACE BOX 82 GI FOR 1X LED GE BLACK STRUC
12514009	SMART SURFACE BOX 82 GI FOR 1X LED GE WHITE STRUC

