

PRODUCT DATA SHEET

Part number 678306

EAN 4015609025169

Manufacturer WALTHER-WERKE

WEEE-Reg.-Number: DE 22131895

Product description

Waterproof wall appliance inlet for internal fixing
 125A 3P 6h with two cable entries both top and
 bottom with terminal set and pilot contact



Product image



Detailed product description

WALTHER Wall appliance inlet 125A 3P 230V 6h IP67
 made from PA6 material
 with 1xM50 and 1xM20 top cable entries
 with 2xM40 bottom cable entries
 with terminal set 3x50 qmm
 and pilot contact
 for internal fixing

Ordering Information

Order unit	Piece
Customs number	85366990
Net weight	2,7 kg
Packing quantity (VPE)	1
Length of the packaging	0,408 m
Width of the packaging	0,244 m
Depth of the packaging	0,186 m
Gross weight(VPE)	2,99 kg

Certificates

VDE certification	123030	
EAC certification	BY112.02.01.020 06091	

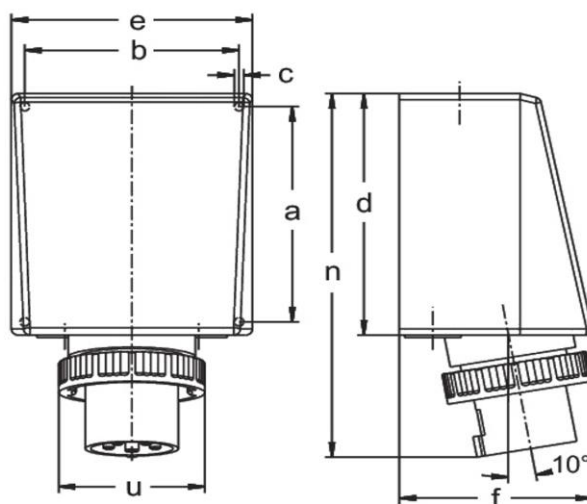
Classification system

Classification system	ETIM_6.0
ETIM Class	EC001319

Technical product data

IEC-amperage	125 A
Amperage acc. UL/CSA (for UL-version)	100 A
Number of poles	3
Voltage acc. EN 60309-2	230 V (50+60 Hz) blue
Clock hour position	6 h
Identification colour	Blue
RAL-number	5002
Degree of protection (IP)	IP67
Connection system	Screwed terminal
Connection type	Wall mounted plug
Angle of plug	Angled
Material	Plastic

Dimension sheet



Amp.	125		
Pole	3	4	5
a	240	240	240
b	200	200	200
c	7	7	7
d	263	263	263
e	220	220	220
f	175	175	175
n	390	390	390
u	130	130	130
M1	50/20	50/20	50/20
M2	40	40	40