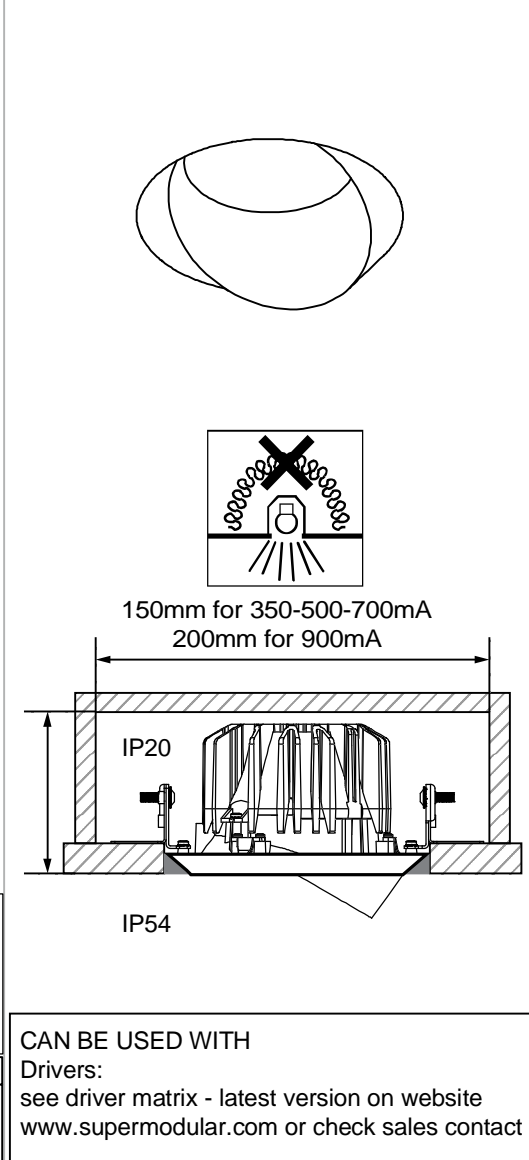
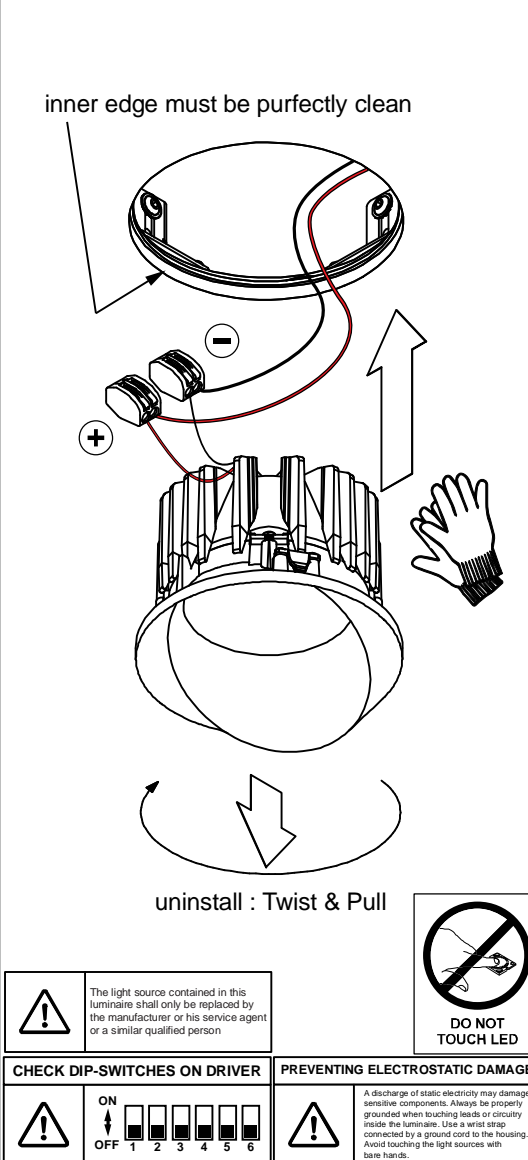
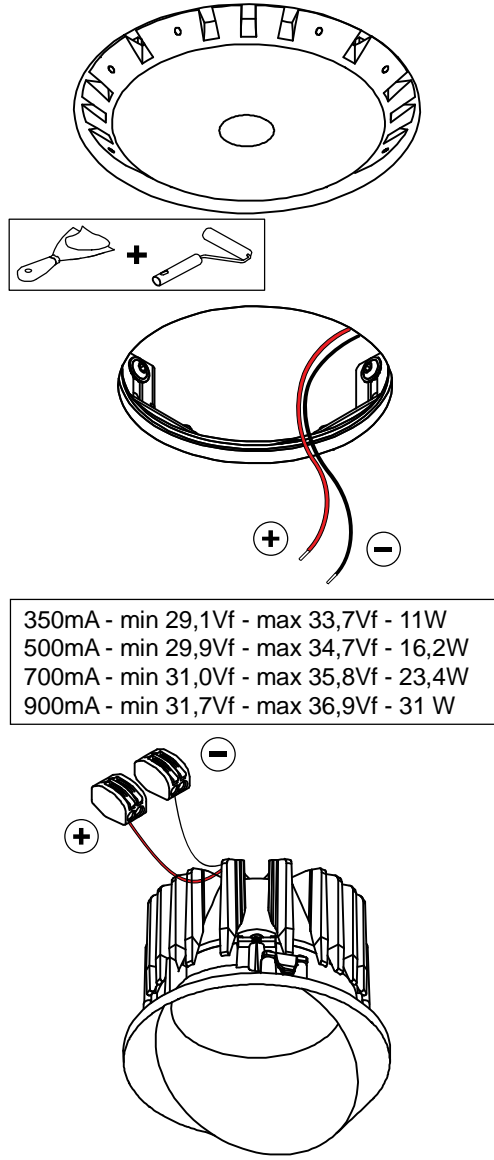
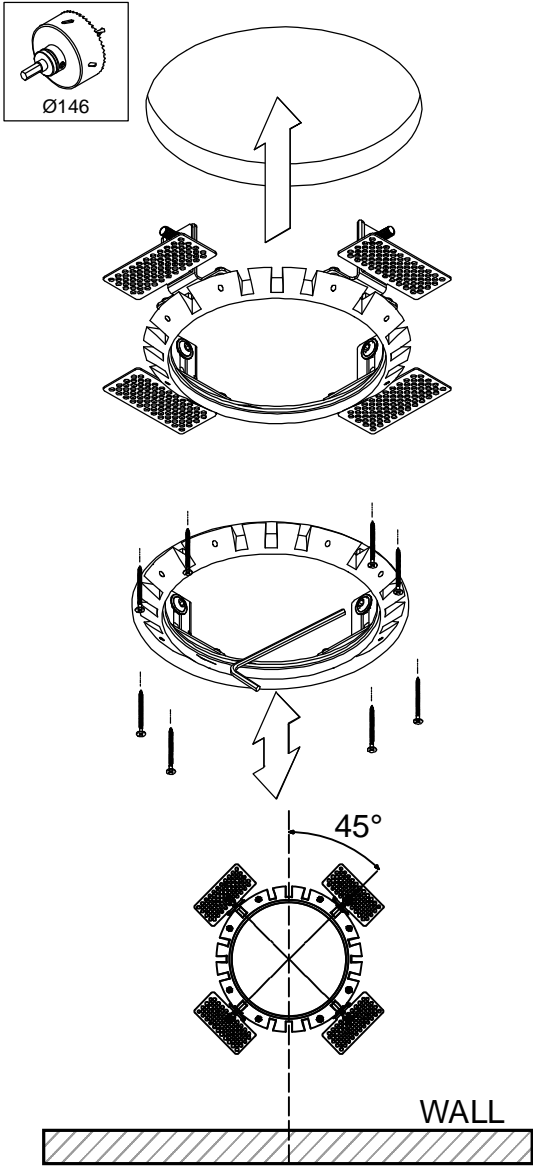


# WINK 115 LED GE

130700XX 130701XX 130702XX 130703XX 130704XX 130705XX 130706XX 130707XX 130708XX



	The light source contained in this luminaire shall only be replaced by the manufacturer or his service agent or a similar qualified person		DO NOT TOUCH LED
<b>CHECK DIP-SWITCHES ON DRIVER</b>		<b>PREVENTING ELECTROSTATIC DAMAGE</b>	
	ON OFF 1 2 3 4 5 6		A discharge of static electricity may damage sensitive components. Always be properly grounded when touching leads or circuitry inside the luminaire. Use a wrist strap connected by a ground cord to the housing. Avoid touching the light sources with bare hands.

