

PRODUCT DATA SHEET

Part number	230PHNI
EAN	4015609038497
Manufacturer	WALTHER-WERKE
WEEE-Reg.-Nr:	DE 22131895

Product description

Phase inverter Plug 32A 5P 6h with grommet for harsh environments



Product Image

Detailed product description

WALTHER Plug 32A 5P 400V 6h IP44
 as phase inverter
 made from PA6 material
 with screw terminal
 and grommet
 for harsh environments

Ordering information

order unit	Piece
customs number	85366990
net weight	0.264 kg
packing quantity (VPE)	10
length of the packaging	0.31 m
width of the packaging	0.195 m
depth of the packaging	0.14 m
gross weight(VPE)	2.788 kg

Conformities

CE conformity	√
RoHS directive	2011/65/EU
RoHS directive	2015/863/EU
REACH regulation	1907/2006

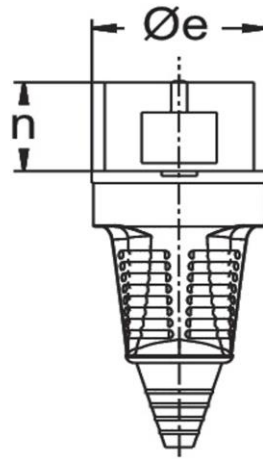
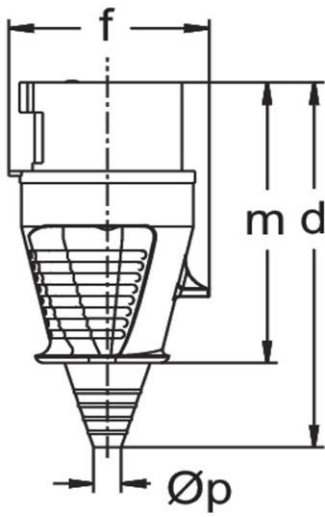
Classification system

classification system	ETIM_7.0
ETIM Class	EC000140

Technical product data

IEC-ampereage	32 A
Number of poles	5
Voltage according to EN 60309-2	400 V (50+60 Hz) red
Clock hour position	6 h
Identification colour	Red
Conductor cross-section	2.5 - 6 mm ²
Cable diameter	10 - 22.5 mm
Cable strip length	45 mm +/- 2.5 mm
Cable ferrules length	10 mm +/- 1 mm
Maximum torque terminal screw	0.8 Nm
Maximum torque cable gland	4 Nm
Phase inverter	✓
Degree of protection (IP)	IP44
Connection system	Screwed terminal
Contact material	Nickel-plated brass
Cable entry	Anti-kink sleeve
Angle of plug	Straight
Material	Plastic
Inflammability class of insulation material according to with UL94	V2

Dimension sheet



Amp.	16	32
Pole	5	5
d	153	181
Øe	65	72
f	75	88
m	117	138
n	37	46
Øp	8/21	11/24