

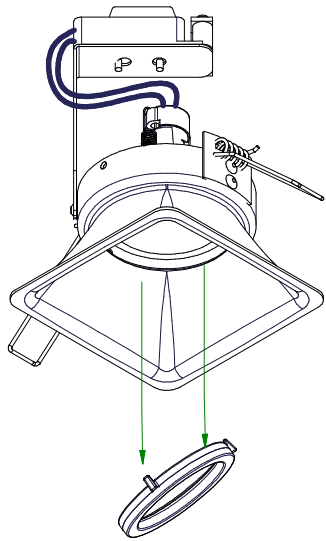
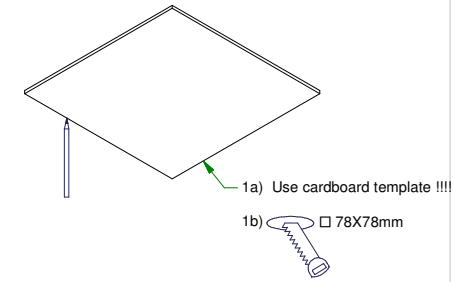
Lotis Square MR16

126110XX

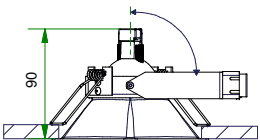
Lamptype : QR-C 51 max.50W

Fitting : Gx5.3

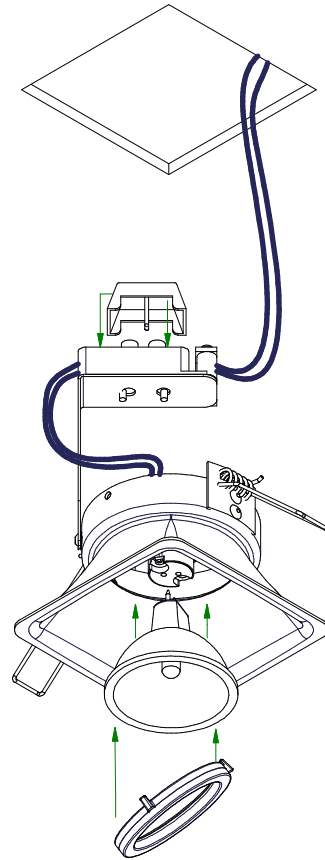
1



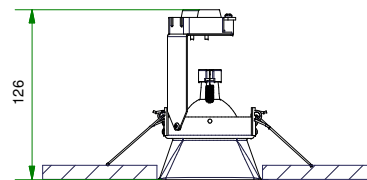
H=100



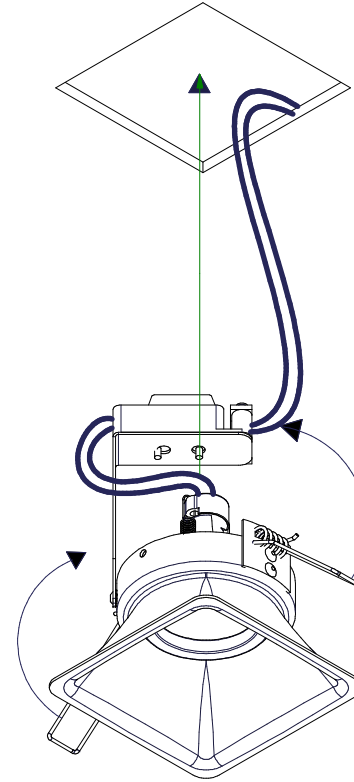
2



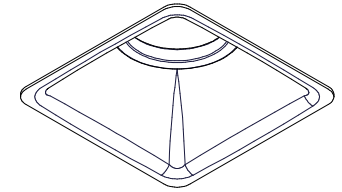
H=130



3



4



CAN BE USED WITH

10280102
BL Ring High 26mm for K0/K1/K2/K3 BI
10889830
Conbox outer dimension 190x190x130
12290XXX
Gypkit 190x190x78X78

