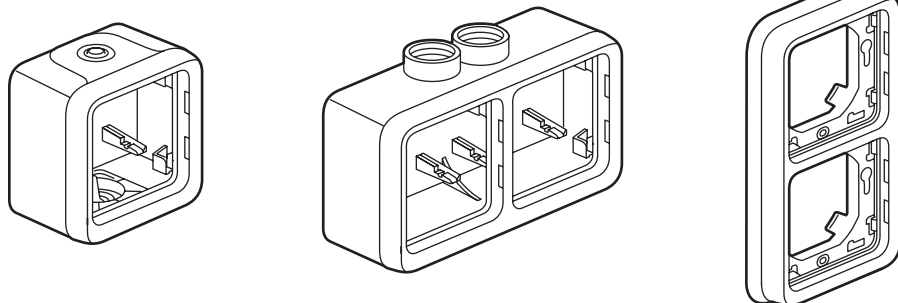


Plexo composable plate supports and boxes

Cat. No(s) : 696 51/56/61/68/72/78/79/80/81/83/85/87/89
696 90/91/92/94/96/98

CONTENTS Page

1. Technical characteristics	1
2. Range	1
3. Installation	1-2-3
4. Dimensions	3
5. General characteristics	4
6. Maintenance	4
7. Specific uses	5
8. Equipment and accessories	5
9. Compliance and approvals	5



1. TECHNICAL CHARACTERISTICS

Weatherproof wiring device system designed for residential and professional technical locations (garages, cellars, car parks, workshops and industrial kitchens, etc) as well as for outdoor applications (patios, gardens, camp sites, etc).

Boxes with entry glands or cable glands and supports supplied with plate. Can take composable mechanisms. Boxes supplied with Nylbloc auto 2 conductor connection terminals, for future tap connections.

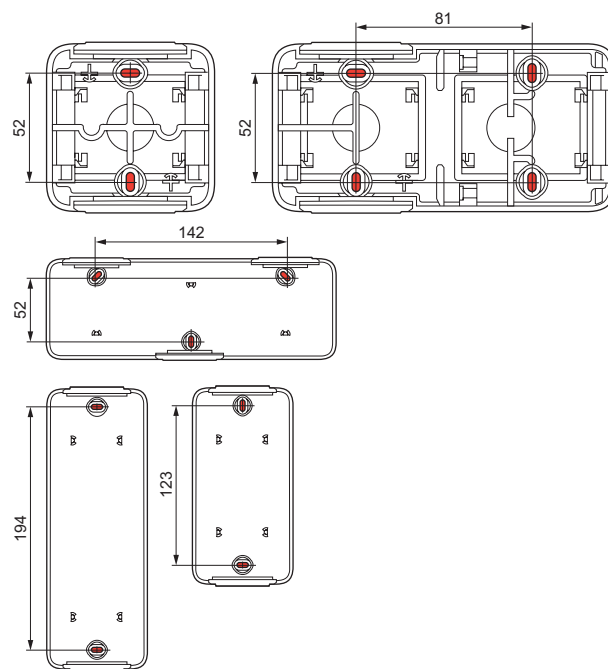
2. RANGE

	Description	Commercial Cat. No.	Weight	Cat. Nos.	2 versions : grey and white
COMPOSABLE SURFACE MOUNTING	1 gang 2 entries	696 51 696 89	80 g	695 xx 696 xx	Composable
	2 gang horizontal 2 entries	696 72 696 90	132 g	697 xx	Complete surface mounting Complete flush mounting
	2 gang vertical 2 entries	696 61 696 91	132 g		
	3 gang horizontal 3 entries	696 80	192 g		
	3 gang vertical 2 entries	696 79 AVAILABLE JAN 2008	192 g		
COMPOSABLE FLUSH MOUNTING	1 gang	696 81 696 92	42 g		
	2 gang horizontal	696 83 696 94	70 g		
	2 gang vertical	696 85 696 96	70 g		
	3 gang horizontal	696 87 696 98	96 g		
CABLE GLAND BLOXES	1 gang 1 entry	696 56	56 g		
	2 gang horizontal 2 entries	696 78	140 g		
	2 gang vertical 2 entries	696 68	140 g		

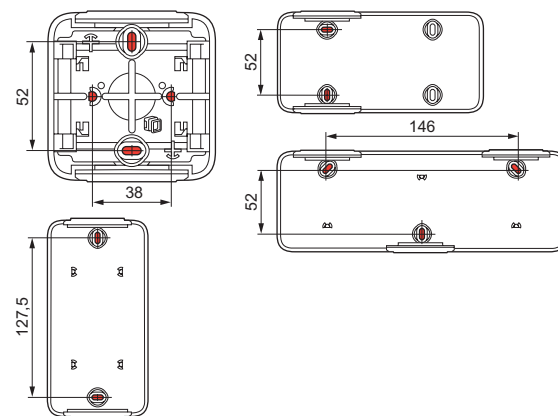
3. INSTALLATION

3.1 Surface mounting

- By screwing back box onto support using \varnothing 3 mm - \varnothing 4 mm max. screws.
- Drilling template available, Cat. No. 695 97 (see page 5).



- Replacing former Plexo 55 series.



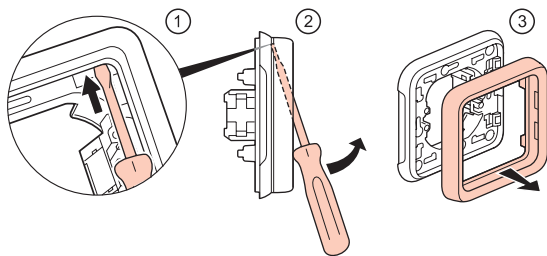
Plexo composable plate supports and boxes

Cat. No(s) : 696 51/56/61/68/72/78/79/80/81/83/85/87/89
696 90/91/92/94/96/98

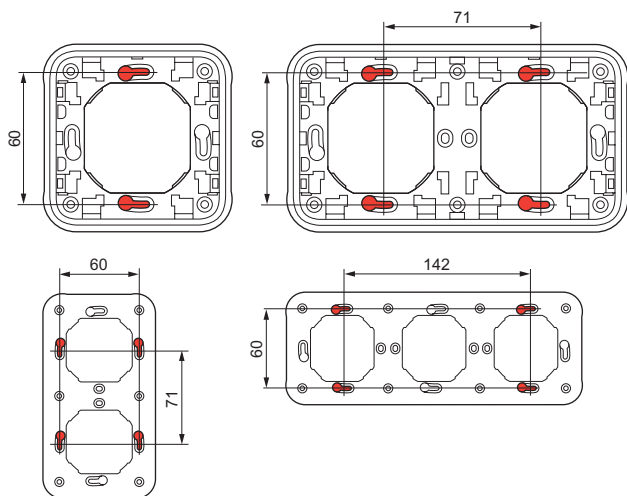
3. INSTALLATION (continued)

3.2 Flush mounting

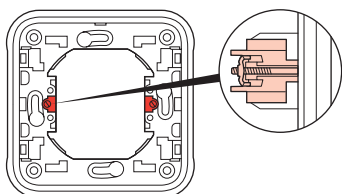
- Unclip plate



- With screws on flush mounting box
Use of Batibox™ flush mounting boxes (centre distance 71 mm for multi-gang supports).

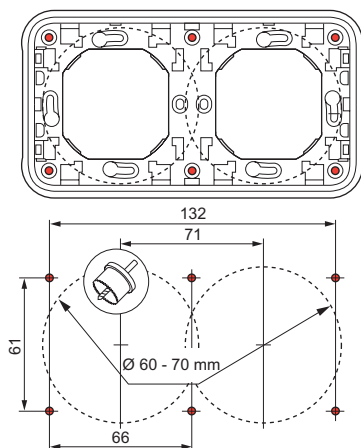


- With claws on flush mounting box



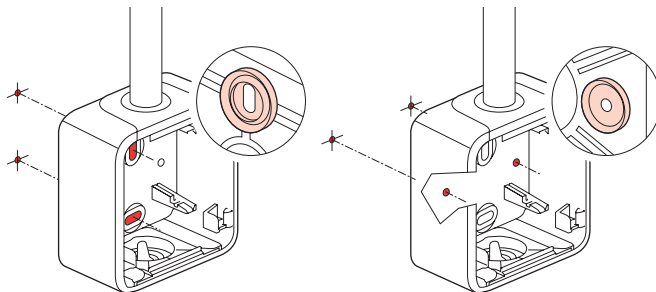
Claws can be fitted :
Cat. No. 849 00
or
Cat. No. 849 01 (long claws)

- On solid faceplate using Ø 4 mm screws. Drill support material (diameter 60 - 70 mm) using hole saw or hole punch.

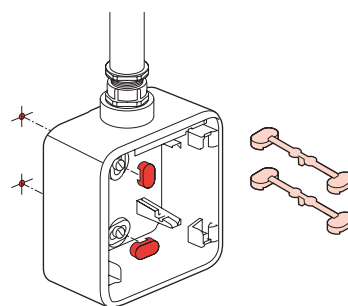


3.3 Mounting and sealing

- 2 visible mounting points, centre distance maintained (Plexo 55) except three-gang boxes.
- Fixings are sealed by a gasket overmoulded onto the back of the boxes (except cable gland boxes).
- 2 centre distances maintained :



- For cable gland boxes, the covers supplied must be fitted as the boxes have no gasket on the back.



3.4 Conduit connection

Type of conduit :

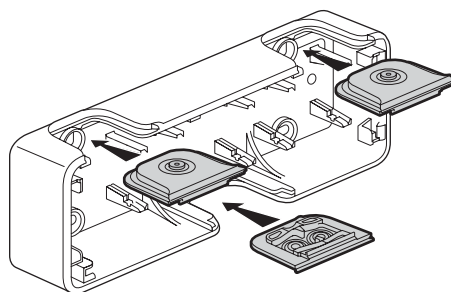
- IRL : formerly IRO, insulating rigid smooth tube
 - ICA : insulating flexible bendable corrugated tube
 - ICTA : insulating flexible transversally bendable elastic corrugated conduit
 - ICTL : insulating flexible transversally bendable elastic smooth conduit
- } Ø 16 - 25 mm

Cables (examples) :

- rigid conductors : U - 1000R2V 3G2.5
- flexible conductors : H07 RN - F 3G2.5

Type of entry gland : flexible with membrane, 2 removable types.

- entry gland with 1 entry supplied with 2 gang and 3 gang boxes (top).
- entry gland with 2 entries supplied with 2 gang and 3 gang boxes (bottom).

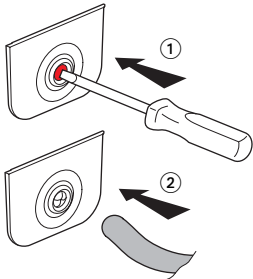


Plexo composable plate supports and boxes

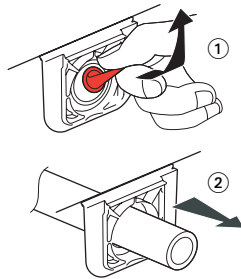
Cat. No(s) : 696 51/56/61/68/72/78/79/80/81/83/85/87/89
696 90/91/92/94/96/98

3. INSTALLATION (continued)

Ø 4 - Ø 15 mm



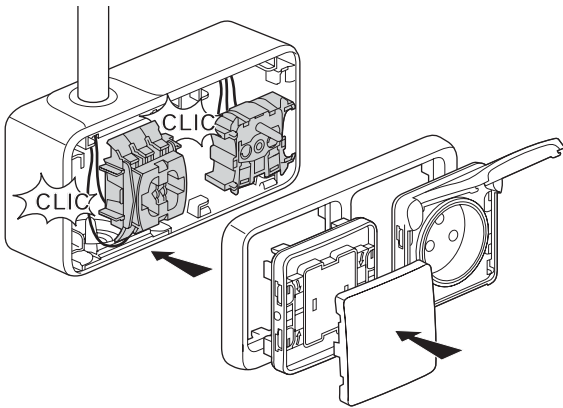
Ø 16/20/25 mm



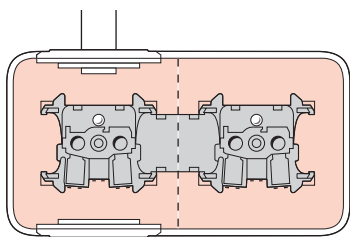
Also available as accessories :
- 695 96 grey entry gland 1 entry
- 695 99 grey entry gland 2 entries
- 696 46 white entry gland 1 entry
- 696 49 white entry gland 2 entries

3.5 Assembly

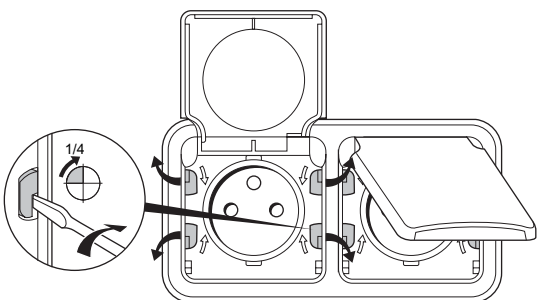
- Composable motors mounted by clipping into the back of the box.



- Removing the partitions from two and three gang boxes facilitates access and allows two and three gang prewired socket mechanisms to be fitted.

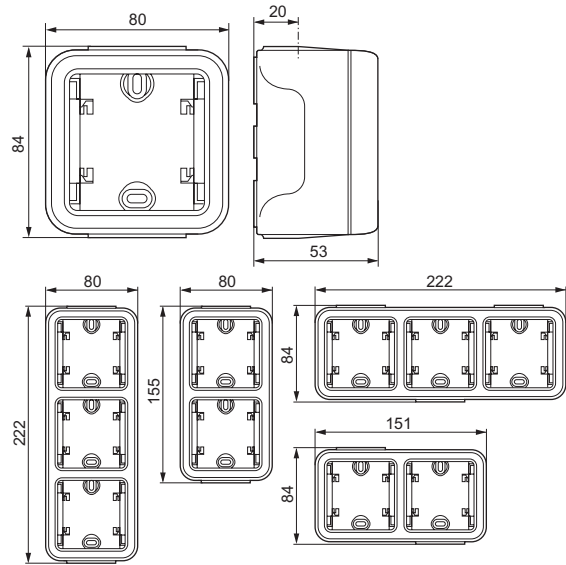


IP55 sealing on front part (cover) on the box is ensured by rotating four 1/4 turn fixings.
The direction of rotation of each 1/4 turn fixing is shown by an arrow on the cover.

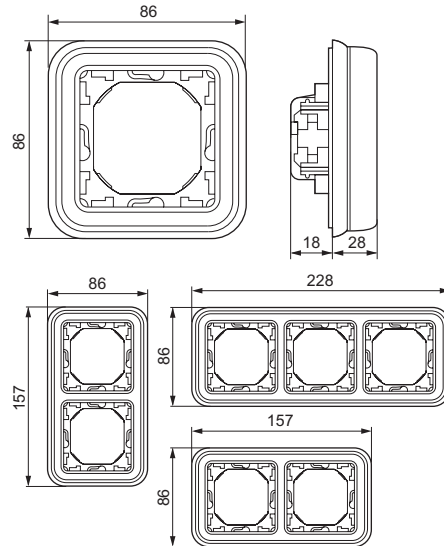


4. DIMENSIONS

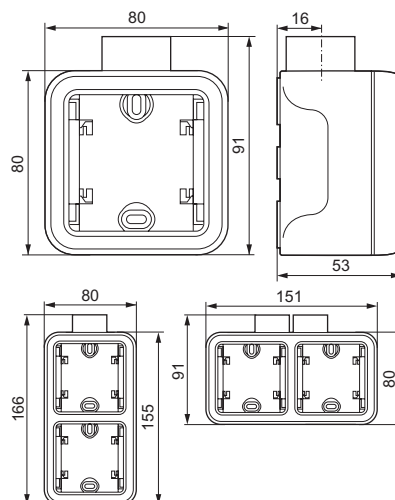
Surface mounting



Flush mounting



Surface mounting + cable gland



Plexo composable plate supports and boxes

Cat. No(s) : 696 51/56/61/68/72/78/79/80/81/83/85/87/89
696 90/91/92/94/96/98

5. GENERAL CHARACTERISTICS

5.1 Mechanical characteristics

Protection rating :
- IP 55 IK 07

5.2 Material characteristics

Materials

Box, support : PP (filled Polypropylene)
Plate : ABS (Acrylonitrile-Butadiene-Styrene)
Entry gland : PP + SEBS (Styrene-Ethylene-Butadiene-Styrene)

5.3 Resistance to chemicals

	Behaviour
Acetone	-
Acetic acid (10%)	+
Acetic acid \geq 30 %	+
Aminosulphonic acid	-
Boric acid *	+
Hydrobromic acid (47%)	-
Hydrochloric acid *	-
Chromic acid	+
Citric acid *	+
Hydrofluoric acid *	-
Formic acid	-
Lactic acid *	+
Linoleic acid	-
Maleic acid	+
Nitric acid (30%)	-
Nitric acid (50%)	-
Perchloric acid (10%)	+
Benzenesulphonic acid	-
Phosphoric acid *	-
Sulphuric acid	+
Tannic acid *	-
Tartaric acid *	+
Ethanol	+
Alcool isopropylique	+
Methyl alcohol (methanol)	-
Phenylethylalcohol (100%)	-
Ammonia	+
Baths for electroplating :	
- Bright silver bath	+
- Bright cadmium bath	+
- Chromium plating bath (50°C)	+
- Copper bath (with potassium cyanide)	+
- Copper bath (acid)	+
- Pickling bath with chemical copper plating	+
- Brass bath	+
- Bright nickel bath	+
Barium	
- Barium chloride *	+
- Barium hydroxide *	+
- Barium nitrate *	-
Benzene	-
Beer	+
Calcium hypochlorite *	+
Cobalt chloride *	-
Cupric chloride *	-
Ferrous chloride *	-
Manganese chloride	-
Mercuric chloride *	-
Methylene chloride	-
Chlorine water (wet gaseous chlorine)	-
Sea water	+
Fertiliser	+
Epichlorohydrin	-
Heavy gasoline	-
White spirit	-
Turpentine	-
Essential oils	+
Linseed oil	+
Lubricating oil	+

Machine oil	+
Mineral oil	+
Paraffin oil	+
Fish oil	+
Castor oil	+
Silicon oil	+
Humus	+
Aqueous hydrogen sulphide	+
Hypochlorite of soda (10%)	+
Fruit juice	+
Milk	+
Chlorinated lye	+
Margarine	+
Fuel oil	+
Mercury	+
Methyl methacrylate	-
Silver nitrate*	+
Cobalt nitrate*	+
Manganese nitrate *	+
Mercuric nitrate *	+
Nickel nitrate*	+
Lead nitrate *	+
Petroleum, petroleum ether	-
Silicate (Potassium, Sodium)	+
Syrup (beetroot)	+
Sodium	
- Sodium acetate*	+
- Sodium bromate*	+
- Sodium chloride* (salt)	+
Caustic soda \leq 40 %	+
Monomer styrene	-
Sugar	+
Trichlorethylene	-
Urine	+
Wine	+

* all concentrations in aqueous solution

Key : + resistant - unstable

This information is given as a guide only and can not be construed as an undertaking on the part of the manufacturer.

Please contact us for specific uses.

5.4 Resistance to ultraviolet radiation

No notable alteration following the 7 day test with 550 W/m² power lighting (Colorimetric measurement using lab method).

5.5 Resistance to salt spray : 7 days (168 hrs)

5.6 Electrical characteristics

- Self-extinguishing in accordance with IEC 60695-2-11 :
components (or parts) required to secure live parts : 850°C
components (or parts) not required to secure live parts : 650°C

- Voltage - Current - Frequency
16 A 250 V~ 50 Hz in accordance with NF C 61-314, NBN C 61-112 and IEC 60884-1.

5.7 Climatic characteristics

Storage and operating temperature : - 25° C to 60° C

6. MAINTENANCE

Clean surface with dry cloth or cloth soaked in soapy water. Do not use acetone, tar remover or trichlorethylene.

Warning : a prior test is required before using specific cleaning products.

Plexo composable plate supports and boxes

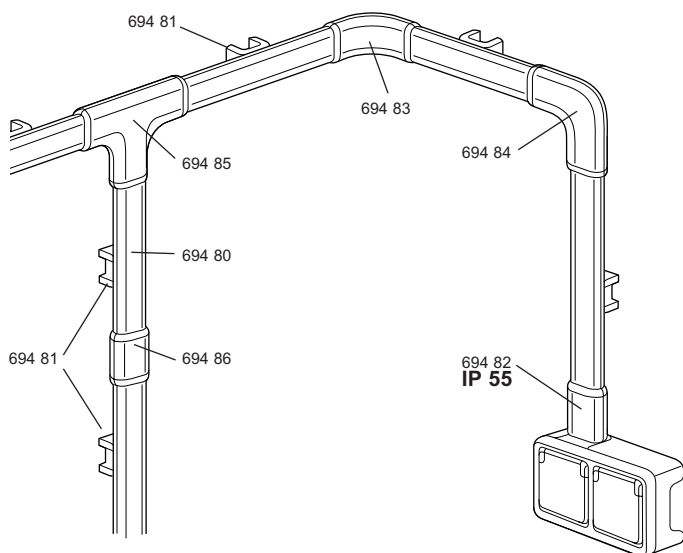
Cat. No(s) : 696 51/56/61/68/72/78/79/80/81/83/85/87/89
696 90/91/92/94/96/98

7. SPECIFIC USES

Installations with profile.

The Plexo profile distribution system provides :



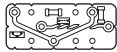
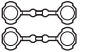
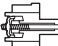


- Distribution, protection and branch connection of various wires and cables in an electrical installation.
- A profile, finishing and routing accessories (profile joint, weatherproof universal junction, flat angle, internal angle, external angle, branch connection, bracket).
- A new solution for installing weatherproof surface mounting switch-gear installations in domestic and occasionally tertiary technical situations.
- Optimum safety and reliability due to compliance with standard NFC 68-104 (IP 42, IK 07).



Cat. Nos.	Description
694 80	Plexo profile, length 2.00 m capacity equivalent to a Ø 25 mm IRL
694 81	Plexo profile bracket
694 82	IP55 weatherproof universal connection
694 83	Plexo profile internal/external angle
694 84	Plexo profile flat angle
694 85	Plexo profile tee
694 86	Plexo universal junction



- Refer to the specific technical sheet for Plexo profile, technical sheet : F00386FR/00.

8. EQUIPMENT AND ACCESSORIES

Description	Uses	Cat. Nos.	Colour
Entry gland 1 entry 	Used to provide an aesthetic connection between boxes and cables up to Ø 16 mm inclusive	695 96	Grey
Entry gland 2 entries 		696 46	White
Drilling template 	Used for fast identification of mounting centre distances of all boxes	695 99 696 49	Grey White
Set of 4 covers 	Used to blank mounting holes at bottom of boxes	695 97	-
Standard claw 	Clips on to all flush mounting supports	695 98	Grey
Long claw 		849 00 849 01	
Branch connection terminal block 	Direct connection after simply stripping rigid conductors. Terminal capacity : 0.75 - 2.5 mm ²	343 22	

9. COMPLIANCE AND APPROVALS

- Products manufactured in accordance with the following standards :
 - French NF C 61-314
 - Belgian NBN C 61-112
 - International IEC 60884-1

Quality marks	Standards	Date
	NF C 61-314	03/10/2006
	IEC 60884-1	09/03/2007