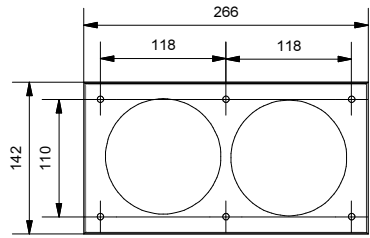


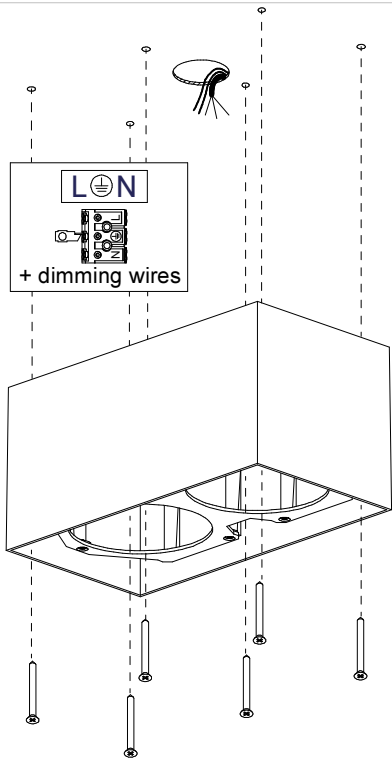
# Smart Surface Box 115 GI for 2L

12801XXX

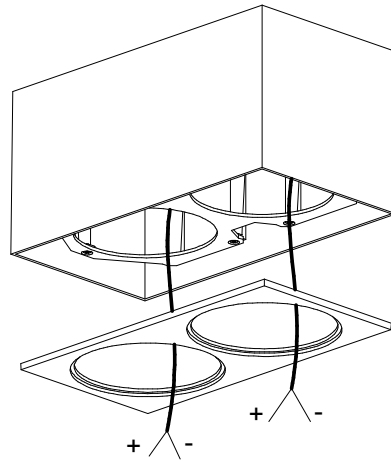
1



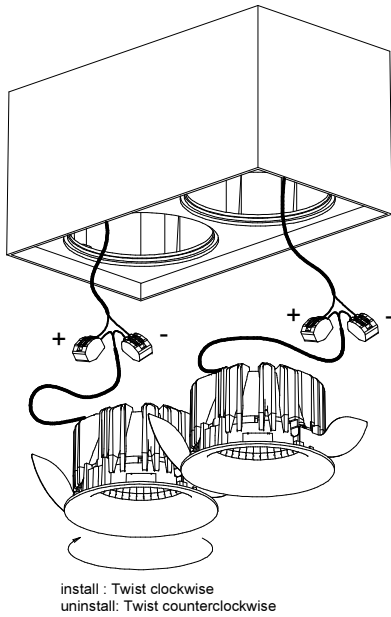
2



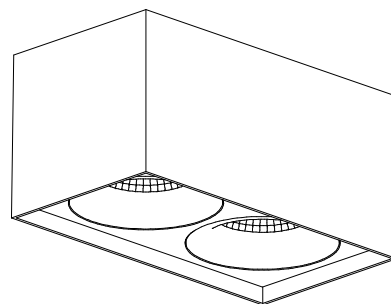
3



4

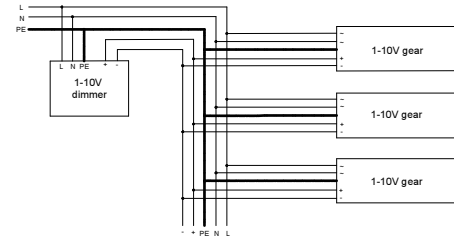


5

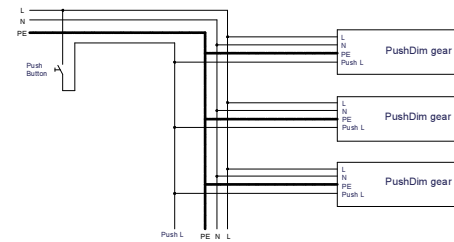


SMART 115 GE and MASK not included

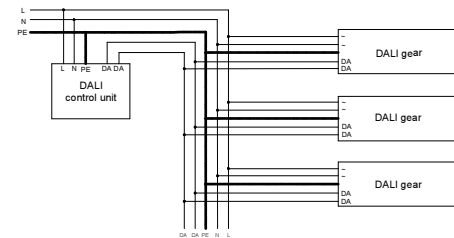
## Sample 1-10V wiring diagram:



## Sample PushDim wiring diagram:



## Sample DALI wiring diagram:



### MUST BE USED WITH

- 128101xx - Smart mask ø115 2x
- 127410xx - Smart Cake Ø115 GE
- 127420xx - Smart Cake Ø115 IP54 GE\*
- 127430xx - Smart Cake Ø115 IP54 DIF GE\*
- 127510xx - Smart Lotis Ø115 GE
- 127520xx - Smart Lotis Ø115 IP54 GE\*
- 127530xx - Smart Lotis Ø115 IP54 DIF GE\*
- 127610xx - Smart Kup Ø115 GE
- 127620xx - Smart Kup Ø115 IP54 GE\*
- 127630xx - Smart Kup Ø115 IP54 DIF GE\*
- 127710xx - Smart Cake adjustable Ø115 LED
- 127810xx - Smart Lotis adjustable Ø115 LED
- 127910xx - Smart Kup adjustable Ø115 LED

	230V / 50-60Hz		

\* in combination with Surface Box = IP20