

DH-PFB210W

Water-proof Wall Mount Bracket



Features

- Neat & Integrated design.
- Wall mount bracket, fast loading structure.
- Material: Aluminum.
- Come with a space at the bottom of the bracket, there are two out-holes (G3/4) designed at the bottom, which is convenient for cable hiding and wiring.
- Safety rope hook attached, secure and reliable.

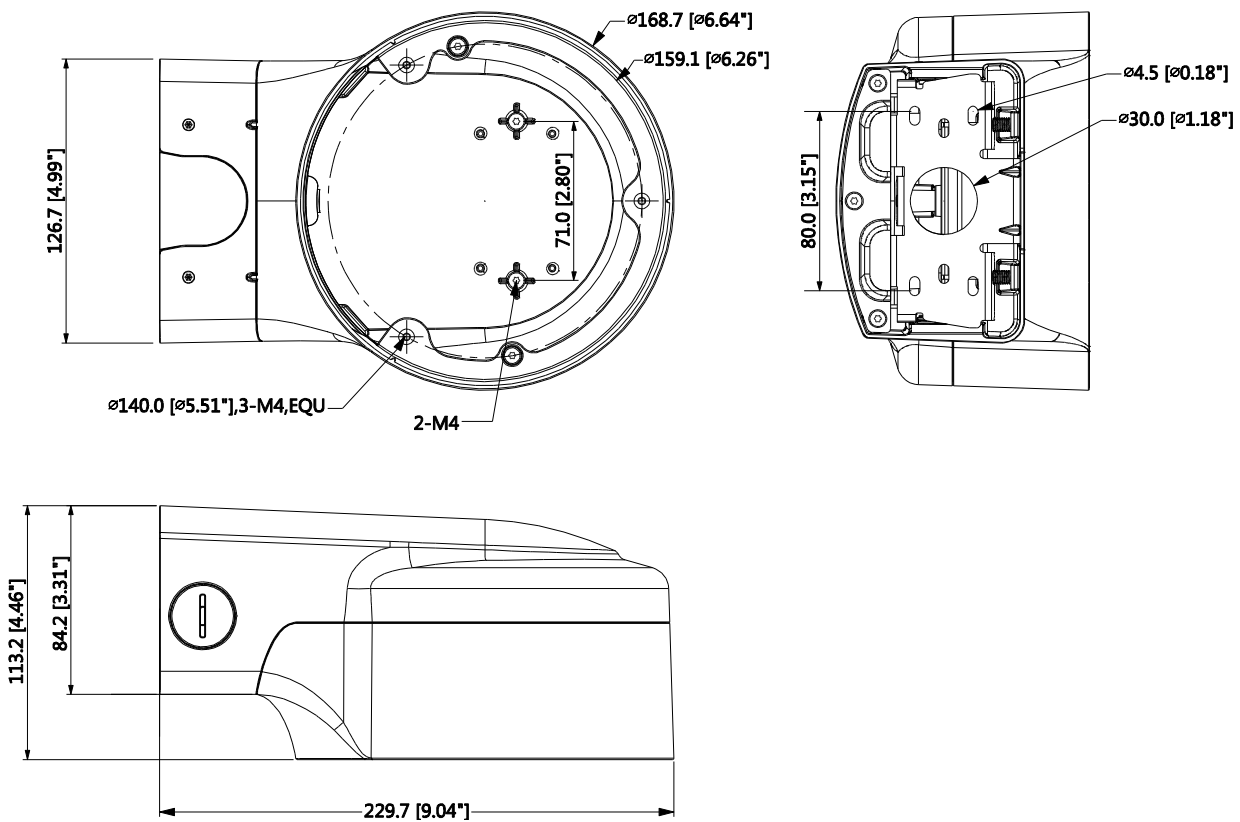
Technical Specifications

Model	DH-PFB210W
General	
Material	Aluminum
Dimension (W x H x D)	229.7mmx168.7mmx113.2mm(9.04"x6.64"x4.46")
Weight	0.93kg(2.05lb)
Load Bearing	3kg(6.61lb)
Color	White
Operating Temperature	-40°C ~60°C(-40°F ~140°F)
Humidity	<90% RH

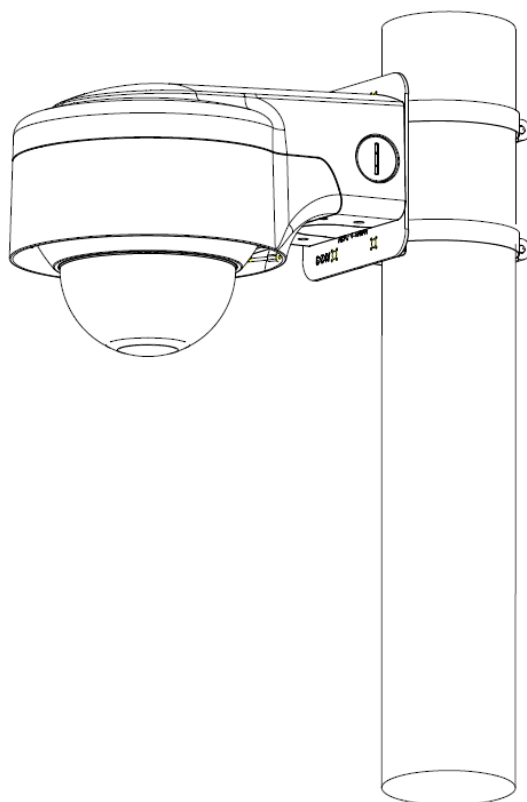
Order Information

Type	Part Number	Description
Camera mount	DH-PFB210W	Wall mount bracket _ Dahua brand
	PFB210W	Wall mount bracket _ Neutral, no brand

Dimensions (mm/inch)



Application



Package Information

- Wall-proof wall mount Bracket *1
- Application manual *1
- ST4x25 screw&anchor *4
- M4x18 *3
- Wrench *1
- Safety rope *1