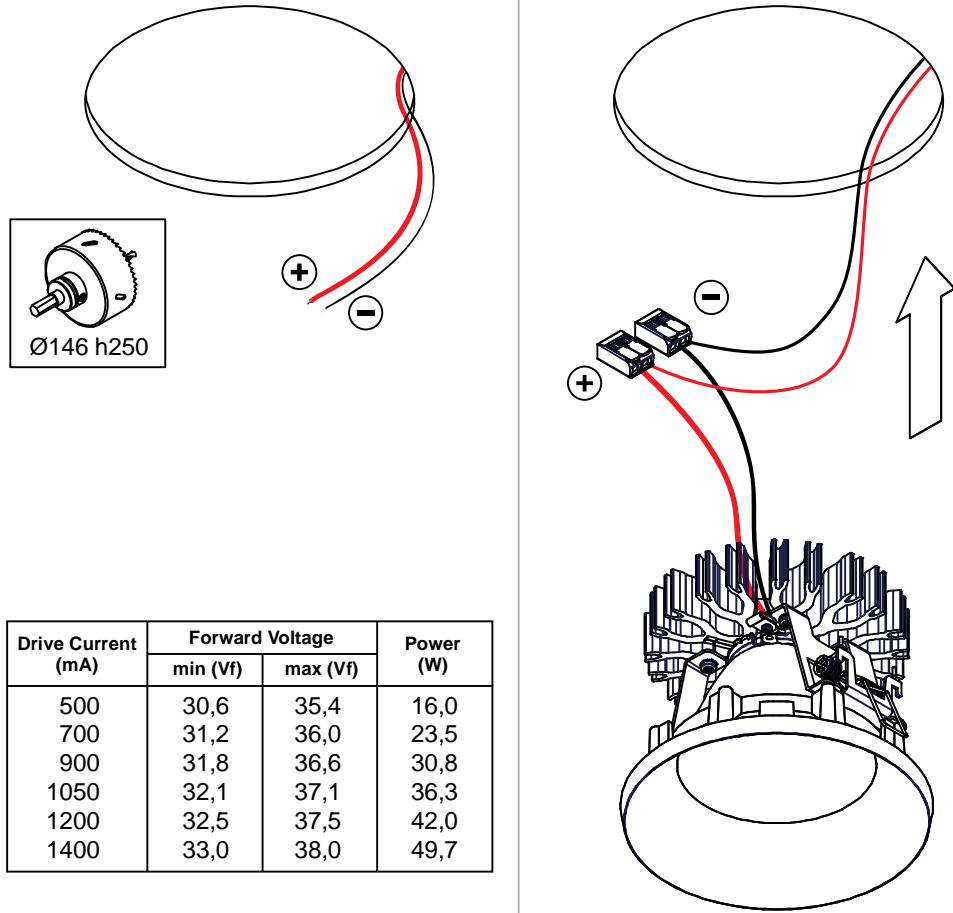
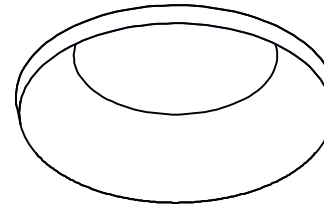


Smart Kup 160 IP GE

130240XX_130241XX_130242XX_130243XX_130244XX_130245XX_130246XX_130247XX_130248XX_130250XX_130251XX_130252XX_130260XX_130261XX_130262XX



Drive Current (mA)	Forward Voltage		Power (W)
	min (Vf)	max (Vf)	
500	30,6	35,4	16,0
700	31,2	36,0	23,5
900	31,8	36,6	30,8
1050	32,1	37,1	36,3
1200	32,5	37,5	42,0
1400	33,0	38,0	49,7



CHECK DIP-SWITCHES ON DRIVER

ON
OFF

check dipswitch settings on driver
Push Dim max 5 drivers on 1 push button

The light source contained in this luminaire shall only be replaced by the manufacturer or his service agent or a similar qualified person

CAN BE USED WITH
drivers:
see driver matrix - latest version on website
www.supermodular.com or check sales contact

Mask:
13040009 Smart Mask 160 Whstr
13040032 Smart Mask 160 Blstr

