

## HALOTRONIC-COMPACT – HTM, HTN

Electronic transformers for low-voltage halogen lamps



### Areas of application

- Effect and accent lighting
- Living rooms
- Object lighting
- Conference rooms
- Restaurants
- Recessed and surface-mounted furniture luminaires
- Shop lighting
- Event rooms

### Product benefits

- Dimmable on the leading edge (without HTN) and trailing edge
- Very low power loss thanks to high efficacy
- Strain relief suitable for different cable types (HTM)
- Suitable for space-critical installation thanks to compact functional design
- Extremely compact transformer for highly space-critical installation conditions (HTN)
- Protective operation throughout the entire partial-load range for long lamp life

### Product features

- Line frequency: 50...60 Hz
- RI suppression: to EN 55015 (A1: 2007)/CISPR 15, EN 55022
- Line harmonics according to EN 61000-3-2
- Immunity according to EN 61547
- Safety: to EN 61347
- Short-circuit protection, overload protection, overtemperature protection: electronically reversible
- Electrical isolation between the primary side and the secondary side
- Switching between electronic transformer and lamp not permitted
- Energy efficiency:  $\geq 91\%$  (according to ErP regulation 2012/1194/EC)

# Product family datasheet

## Technical data

### Electrical data

Product description	Lamp wattage	Line current	Operating frequency	Nominal output voltage
HTM 70/230...240	20...70 W	0.27 A <sup>1)</sup>	52 kHz <sup>2)</sup>	11.2 / 11.2 V <sup>3)</sup>
HTM 105/230...240	35...105 W	0.41 A <sup>1)</sup>	43 kHz <sup>2)</sup>	11.3 / 11.4 V <sup>4)</sup>
HTM 150/230...240	50...150 W	0.57 A <sup>1)</sup>	40 kHz <sup>2)</sup>	11.4 / 11.5 V <sup>5)</sup>
HTN 75/230...240 I	20...75 W	0.32 A <sup>1)</sup>	50 kHz <sup>2)</sup>	11.5 / 11.7 V <sup>6)</sup>

<sup>1)</sup> Effectively

<sup>2)</sup> Approximately

<sup>3)</sup> 70 W

<sup>4)</sup> 105 W

<sup>5)</sup> 150 W

<sup>6)</sup> 75 W

### Dimensions & weight

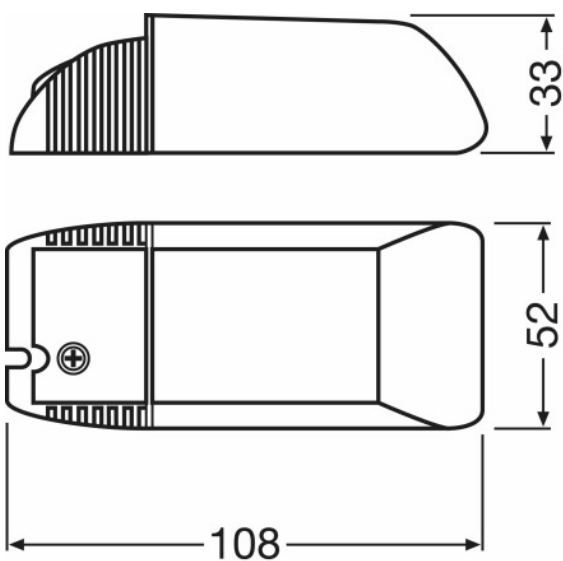
Product description	Length	Width	Height	Mounting hole spacing, length	Mounting hole spacing, width	Cable cross-section, input side
HTM 70/230...240	108.0 mm	52.0 mm	33.0 mm	-	-	2.5 mm <sup>2</sup>
HTM 105/230...240	108.0 mm	52.0 mm	33.0 mm	-	-	2.5 mm <sup>2</sup>
HTM 150/230...240	153.0 mm	54.0 mm	36.0 mm	146.0 mm	15.0 mm	1.5 mm <sup>2</sup>
HTN 75/230...240 I	104.0 mm	33.0 mm	22.0 mm	98.0 mm	-	1.5 mm <sup>2</sup>

Product description	Cable cross-section, output side	Wire preparation length, input side	Wire preparation length, output side	Product weight
HTM 70/230...240	2.5 mm <sup>2</sup>	12 / 7.0 mm <sup>1)</sup>	12 / 7.0 mm <sup>1)</sup>	110.00 g
HTM 105/230...240	2.5 mm <sup>2</sup>	12 / 7.0 mm <sup>1)</sup>	12 / 7.0 mm <sup>1)</sup>	125.00 g
HTM 150/230...240	2.5 mm <sup>2</sup>	12 / 8.0 mm <sup>1)</sup>	12 / 8.0 mm <sup>1)</sup>	185.00 g
HTN 75/230...240 I	1.5 mm <sup>2</sup>	10 / 6.0 mm <sup>1)</sup>	10 / 6.0 mm <sup>1)</sup>	68.00 g

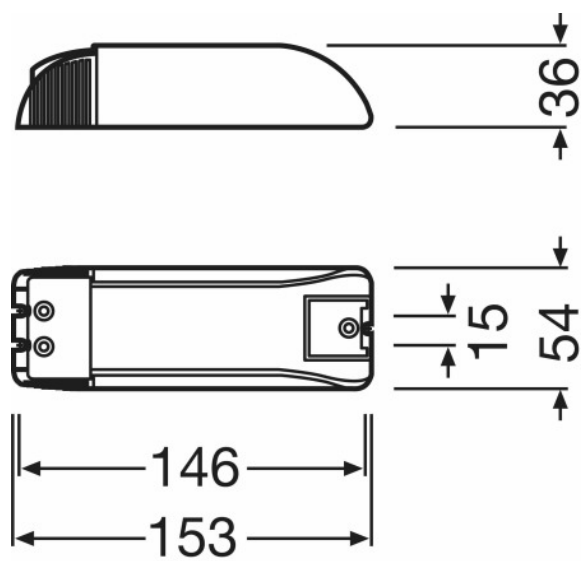
<sup>1)</sup> Cable sheath

# Product family datasheet

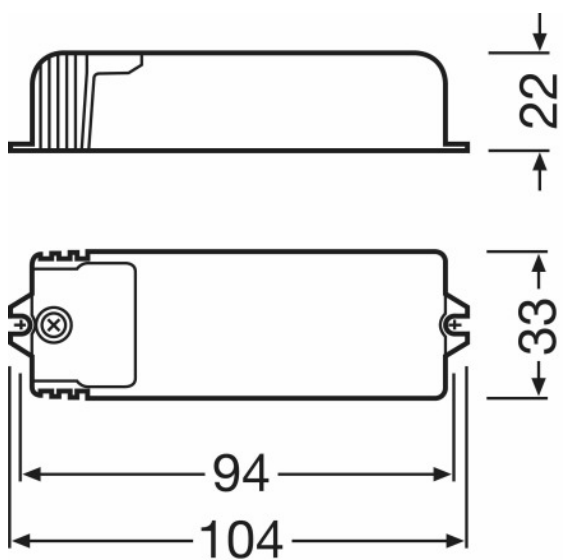
## Product line drawing



HTM 70/230...240, HTM 105/230...240



HTM 150/230...240



HTN 75/230...240 I

# Product family datasheet

## Temperatures

Product description	Ambient temperature range
HTM 70/230...240	0...+50 °C
HTM 105/230...240	0...+45 °C
HTM 150/230...240	0...+45 °C
HTN 75/230...240 I	0...+50 °C

## Additional product data

Product description	Design / version
HTM 70/230...240	Compact with cable clamp
HTM 105/230...240	Compact with cable clamp
HTM 150/230...240	Compact with cable clamp
HTN 75/230...240 I	Very small with cable clamp

## Capabilities

Product description	Dimming method
HTM 70/230...240	Trailing- or leading-edge phase control for inductive load dimmers
HTM 105/230...240	Trailing- or leading-edge phase control for inductive load dimmers
HTM 150/230...240	Trailing- or leading-edge phase control for inductive load dimmers
HTN 75/230...240 I	Trailing-edge phase control

## Certificates & standards

Product description	Approval marks – approval
HTM 70/230...240	VDE / VDE-EMC / E1 approval / EAC
HTM 105/230...240	VDE / VDE-EMC / E1 approval / EAC
HTM 150/230...240	VDE / VDE-EMC / E1 approval / EAC
HTN 75/230...240 I	VDE / VDE-EMC / E1 approval / EAC

Product description	Standards	Type of protection
HTM 70/230...240	Acc. to EN 61347/Acc. to EN 55015/Acc. to EN 61000-3-2/Acc. to EN 61547/Acc. to EN 61047	IP20
HTM 105/230...240	Acc. to EN 61347/Acc. to EN 55015/Acc. to EN 61000-3-2/Acc. to EN 61547/Acc. to EN 61047	IP20

## Product family datasheet

Product description	Standards	Type of protection
HTM 150/230...240	Acc. to EN 61347/Acc. to EN 55015/Acc. to EN 61000-3-2/Acc. to EN 61547/Acc. to EN 61047	IP20
HTN 75/230...240 I	Acc. to EN 61347/Acc. to EN 55015/Acc. to EN 61000-3-2/Acc. to EN 61547/Acc. to EN 61047	IP20

### Application advice

For more detailed application information and graphics please see product datasheet.









### Sales and Technical Support

Sales and Technical Support [www.osram.com](http://www.osram.com)



### Country specific information

Product description	Product code	METEL code	SEG number	STK number	UK Org
HTM_70/230-240	4050300442310	OSRHTM70	5280327	4031017	-
HTM 105/230-240	4050300442334	OSRHTM105	5280330	4031020	-
HTM 150/230-240	4050300581415	OSRHTM150	5280333	4031030	-
HTN 75/230-240 I	4008321073037	OSRHTN75I	5280325	4030201	-

### Download Data

File
 Brochures HALOTRONIC MOUSE HTM
 Certificates EMC-Marks approval
 Certificates ENEC-Marks approval HTi 105 DIM
 Certificates EAC HT family
 Certificates ENEC-Certificate HTL_HTM_HTN_HTi
 Certificates VDE-EMC-Certificate HTM_HTN
 Declarations of conformity Declaration of conformity HTI DALI 150 DIM
 Installation/Operation notice Technical guide - HALOTRONIC for low-voltage halogen lamps

## Product family datasheet

	Installation/Operation notice HALOTRONIC Manual
	Operating instructions EAC - HTL HTM HTN
	CAD data 3-dim 108x52x33 9900021
	CAD data 3-dim 108x52x33 9900021
	CAD data 3-dim 108x52x33 9900021
	CAD data PDF 108x52x33 9900021
	Brochures HALOTRONIC NANO HTN
	Certificates ENEC-Marks approval
	Addon Technical Information ATI HTM 150230-240 (GB)
	CAD data 3-dim HTM 150
	CAD data 3-dim HTM 150
	Addon Technical Information ATI HTN 75230-240 I (GB)
	CAD data 3-dim 98(104)x33x22 9900005
	CAD data 3-dim 98(104)x33x22 9900005
	CAD data 3-dim 98(104)x33x22 9900005
	CAD data PDF 98(104)x33x22 9900005

### Logistical Data

Product code	Product description	Packaging unit (Pieces/Unit)	Dimensions (length x width x height)	Volume	Gross weight
4050300442310	HTM 70/230...240	Shipping carton box 20	270 mm x 94 mm x 229 mm	5.81 dm <sup>3</sup>	2436.00 g
4050300442334	HTM 105/230...240	Shipping carton box 20	270 mm x 94 mm x 229 mm	5.81 dm <sup>3</sup>	2736.00 g
4050300581415	HTM 150/230...240	Shipping carton box 10	276 mm x 98 mm x 166 mm	4.49 dm <sup>3</sup>	2046.50 g
4008321073037	HTN 75/230...240 I	Shipping carton box 20	235 mm x 75 mm x 179 mm	3.15 dm <sup>3</sup>	1692.00 g

## Product family datasheet

Product code	Product description	Packaging unit (Pieces/Unit)	Dimensions (length x width x height)	Volume	Gross weight
--------------	---------------------	------------------------------	--------------------------------------	--------	--------------

The mentioned product code describes the smallest quantity unit which can be ordered. One shipping unit can contain one or more single products. When placing an order, for the quantity please enter single or multiples of a shipping unit.

---

### Disclaimer

Subject to change without notice. Errors and omission excepted. Always make sure to use the most recent release.