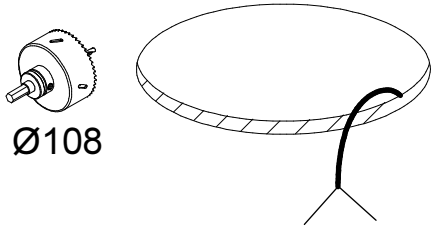


Smart Cake115 (diffuse) IP54 LED GE

127420XX - 127421XX - 127422XX - 127423XX - 127424XX - 127425XX -
 127426XX - 127427XX - 127428XX - 127430XX - 127431XX - 127432XX -
 127433XX - 127434XX - 127435XX - 127436XX - 127437XX - 127438XX

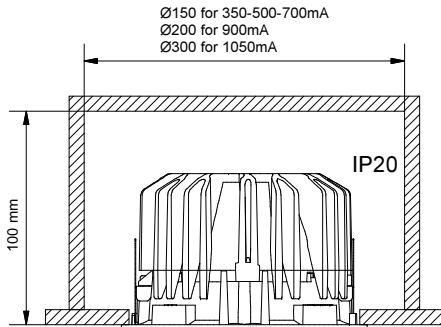
Lamp type : LED array

1



Ø108

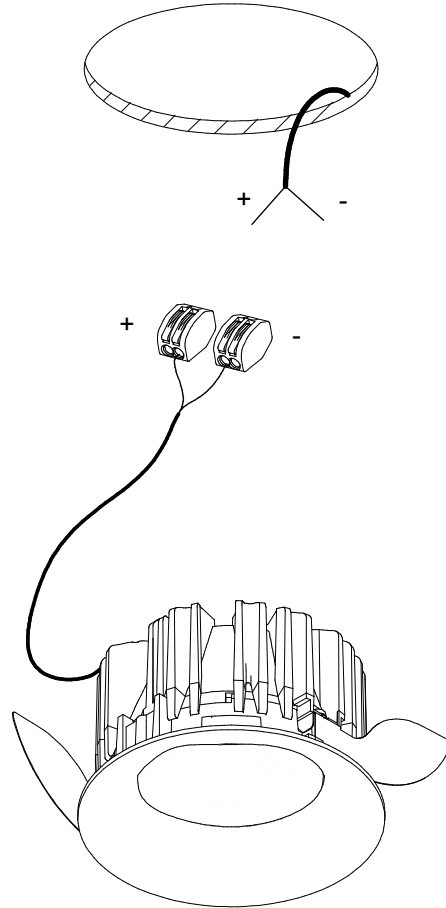
350mA - min 29,1Vf - max 33,7Vf - 11W
 500mA - min 29,9Vf - max 34,7Vf - 16,2W
 700mA - min 31,0Vf - max 35,8Vf - 23,4W
 900mA - min 31,7Vf - max 36,9Vf - 31,2W



Ø150 for 350-500-700mA
 Ø200 for 900mA
 Ø300 for 1050mA

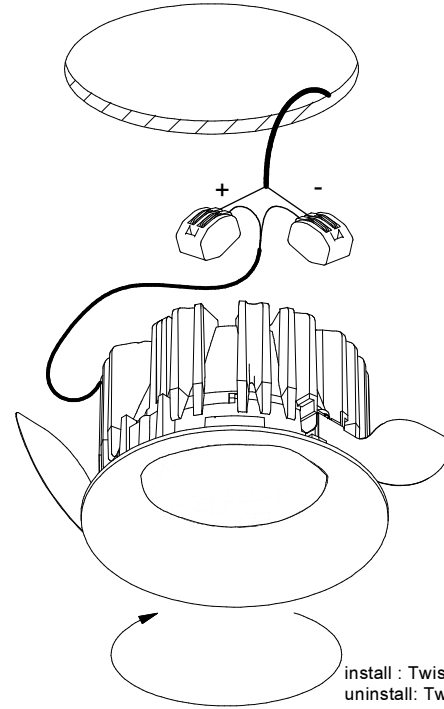
IP54

2



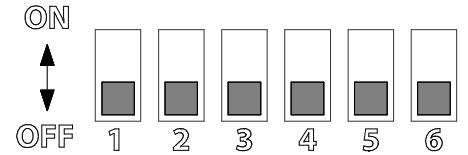
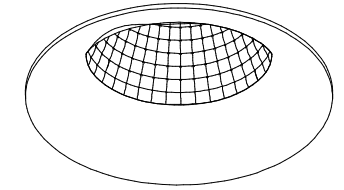
Replace protective shield when broken
 The luminaire shall only be used complete
 with its protective shield
 Reference numbers:
 IP55 glass clear art.1009392
 Diffuse poly. for led art.1009467

3



install : Twist clockwise
 uninstall: Twist counterclockwise

4



check dipswitch settings on driver
 Max 900mA mounted in ceiling
 Max 700mA mounted in Surface Box



Push Dim max 5 drivers on 1 push button

The light source contained in this luminaire shall only be replaced by the manufacturer or his service agent or a similar qualified person

CAN BE USED WITH

drivers
 see driver matrix - latest version on website
www.supermodular.com or check sales contact

Recessed ring
 12810230 Smart recessed ring ø115

Surface box
 128000xx Smart Surface box dia 115 GI for 1 LED GE
 128001xx Smart surface box dia 115 1-10V/pushdim GI for 1 LED GE
 128002xx Smart surface box dia 115 dali/pushdim GI for 1 LED GE
 128010xx Smart surface box dia 115 GI for 2x LED GE
 128011xx Smart surface box dia 115 1-10V/pushdim GI for 2x LED GE
 128012xx Smart surface box dia 115 dali/pushdim GI for 2x LED GE

Gypkit - conbox
 12290530 Gypkit 190X190XDIA108
 10889830 Conbox outer dim. 190x192x130

Mask
 12810009 Smart mask ø115 1x Whstr
 12810032 Smart mask ø115 1x Blstr
 12810046 Smart mask ø115 1x Gold
 12810109 Smart mask ø115 2x Whstr
 12810132 Smart mask ø115 2x Blstr
 12810146 Smart mask ø115 2x Gold

Reflector
 11949930 Reflector DIA 80 LED Spot
 11949730 Reflector DIA 80 LED Flood



IP54

