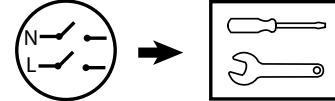
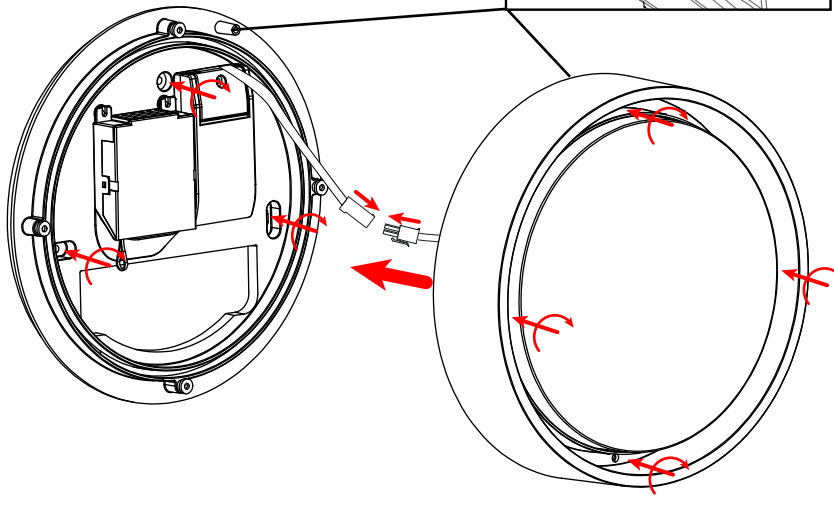
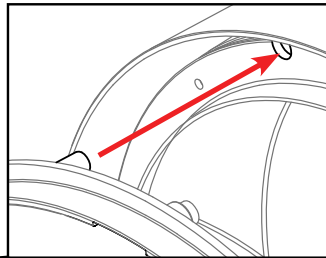
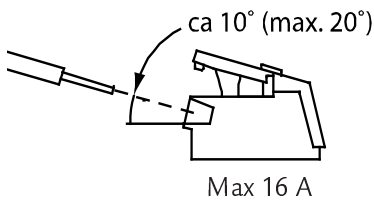
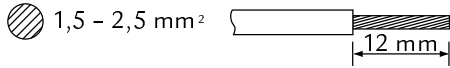
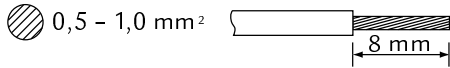


Frame Round/Wall Frame Round Maxi



☐ ⚡ **CE IP66 IK10**

220-240V, 50/60Hz (Sensor 50Hz)

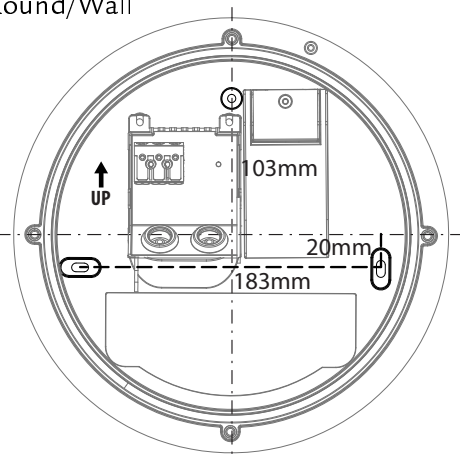


NO: Skru av strømmen før montering
EN: Turn off power before installing
FR: Couper le courant avant l'installation
NL: Stroom uitschakelen voor u het toestel installeert
DE: Vor Installationsarbeiten den Strom abschalten.
FI: Sammuta virta ennen kytkemistä.

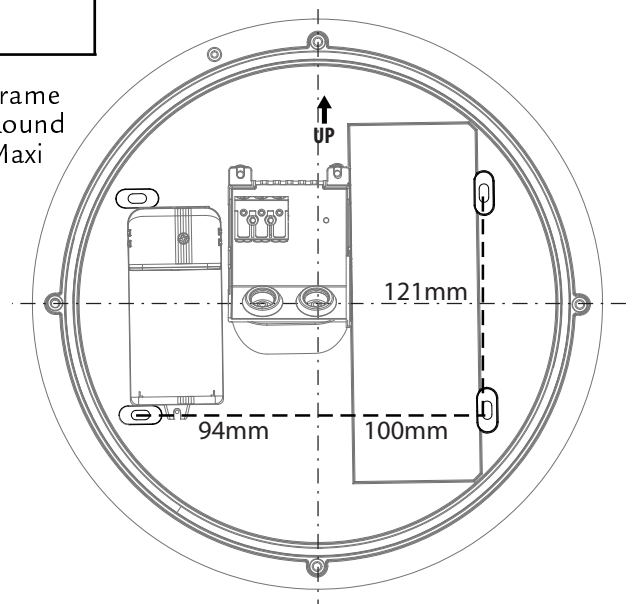


NO: Kan kun installeres av en registrert installasjonsvirksomhet
EN: Only to be installed by an authorized electrician
FR: Doit être installé par un électricien autorisé
NL: Mag alleen geïnstalleerd worden door een bevoegde electricien
DE: Dieses Produkt darf nur durch autorisiertes Personal (z. B. Elektro-Installateur) angeschlossen und in Betrieb genommen werden.
FI: Asentaa saa vain valtuutettu sähköasentaja.

Frame Round/Wall



Frame Round Maxi



CORPORATE OFFICE:
SG Armaturen AS
Skytterheia 25
4790 Lillesand
NORGE

Tlf:+47 37 50 03 00
firmapost@sg-as.no
www.sg-as.no

BRANCH OFFICE:
SG Lighting SA/NV
Blokhuistraat 47
2800 Mechelen Noord I
BELGIQUE/BELGIË

Tlf:+32(0) 15 20 72 71
info.benelux@silighting.net
www.silighting.net

BRANCH OFFICE:
SG Armaturen A/S
Egebakken 19
7400 Herning
DANMARK

Tlf:+45 70 70 72 13
info@sg-as.dk
www.sg-as.dk

BRANCH OFFICE:
SG Lighting SA/NV
73 rue de Saint Mandrier
83140 Six Fours Les Plages
FRANCE

Tlf:+33(0) 4 94 93 00 00
info.france@silighting.fr
www.silighting.net

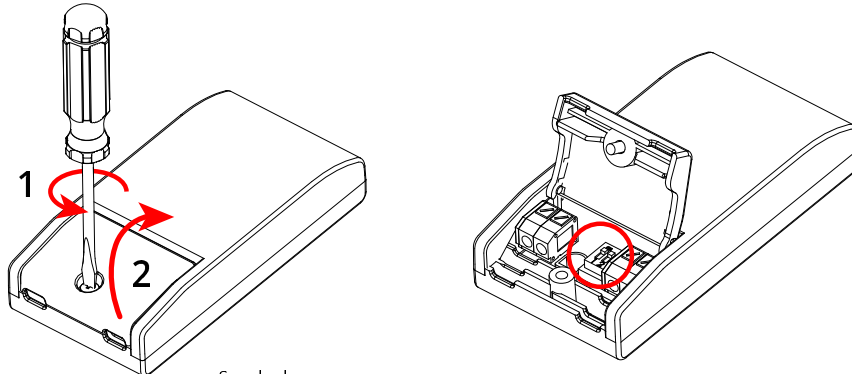
BRANCH OFFICE:
SG Leuchten GmbH
Postfach 67 04 21
22344 Hamburg
GERMANY

Tlf:+49 40 23 99 44 59
info@sg-leuchten.de
www.sg-leuchten.de

BRANCH OFFICE:
SG Armaturen AB
August Barksg. 30B
421 32 Västra Frölunda
SVERIGE

Tlf:+46 31 81 71 10
info@sg-ab.se
www.sg-ab.se

Frame
Round/Wall

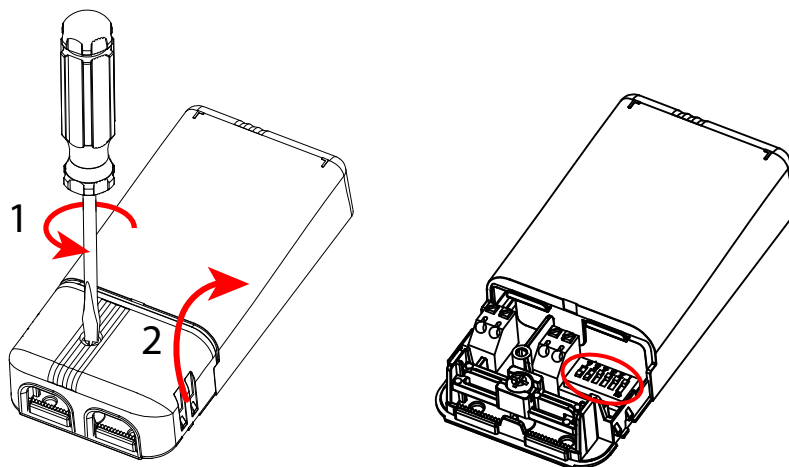


Standard



mA	180	205	230	255
W	7,2	8,2	9,3	10,3
lm	100%	114%	130%	140%

Frame
Round
Maxi



mA	250	300	350	400	450	500
W	8	10	11,5	13	15	16
lm	36%	43%	50%	57%	64%	71%

Standard



mA	550	600	650	700	750-900	12/24/28V
W	18	20	21	23	!	°C
lm	79%	86%	92%	100%	!	!

HC009S sensor



230V, 50Hz

	40-60%	60-80%
	0-10%	80-90%
	0%	80-90%

Standby power		< 0.5W
Microwave frequency		5.8GHz+/-75MHz
Microwave power		< 0.2mW

	1	2	3	
I	●	●	●	100%
II	○	●	●	75%
III	●	○	●	50%
IV	●	●	○	25%
V	○	○	○	10%

	1	2	3	4	
I	●	●	●	●	5s
II	○	●	●	●	30s
III	●	○	●	●	1min
IV	●	●	○	●	5min
V	●	●	●	○	15min
VI	○	○	○	○	30min

	1	2	3	4	
I	●	●	●	●	2 Lux
II	○	●	●	●	5 Lux
III	●	○	●	●	10 Lux
IV	●	●	○	●	30 Lux
V	●	●	●	○	50 Lux
VI	○	○	○	○	Disable

ceiling mounting pattern (m)

wall mounting pattern (m)

Sensor:

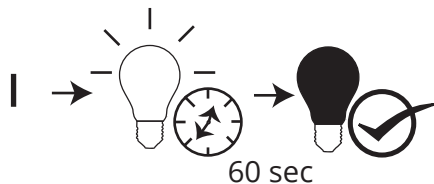
Sensor + Basic light:


CORPORATE OFFICE: SG Armaturen AS Skytterheia 25 4790 Lillesand NORGE Tlf:+47 37 50 03 00 firmapost@sg-as.no www.sg-as.no	BRANCH OFFICE: SG Lighting SA/NV Blokhuisstraat 47 2800 Mechelen Noord I BELGIQUE/BELGIË Tlf:+32(0) 15 20 72 71 info.benelux@sglighting.net www.sglighting.net	BRANCH OFFICE: SG Armaturen A/S Egebakken 19 7400 Herning DANMARK Tlf:+45 70 70 72 13 info@sg-as.dk www.sg-as.dk	BRANCH OFFICE: SG Lighting SA/NV 73 rue de Saint Mandrier 83140 Six Fours Les Plages FRANCE Tlf:+33(0) 4 94 93 00 00 info.france@sglighting.fr www.sglighting.net	BRANCH OFFICE: SG Leuchten GmbH Nordstrasse 53 59399 Olfen GERMANY Tlf:+49 2595 3870 725 info@sg-leuchten.de www.sg-leuchten.de	BRANCH OFFICE: SG Armaturen AB August Barksg. 30B 421 32 Västra Frölunda SVERIGE Tlf:+46 31 81 71 10 info@sg-ab.se www.sg-ab.se
--	--	--	---	---	---


Twilight sensor

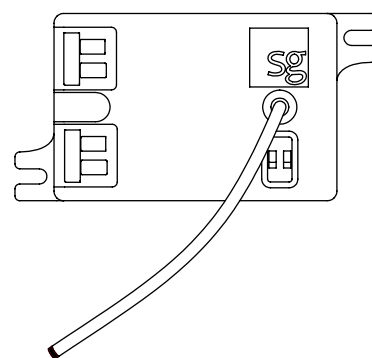
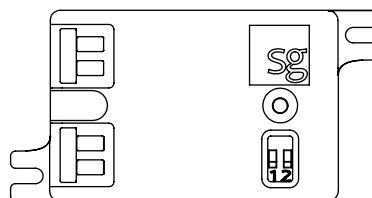







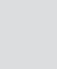


230V, 50/60Hz



	< 0,5 W
Max.	200 W

IR	
IR	LED



	SWITCH		SENSOR		
	S1	S2	Sensor LUX Level	Open (LUX)	Close (LUX)
	ON	ON		100	150
	ON	OFF		80	130
	OFF	ON		70	120
	OFF	OFF		50	100

Standard

NORWAY SG Armaturen AS
Tlf:+47 37 50 03 00
firmapost@sg-as.no
www.sg-as.no

SWEDEN SG Armaturen AB
Tel: +46 31 81 71 10
info@sg-ab.se
www.sg-ab.se

FRANCE SG Lighting SA/NV
Tel: +33(0) 4 94 93 00 00
info.france@sglighting.fr
www.sglighting.net

GERMANY SG Leuchten GmbH
Tel: +49 40 23 99 44 59
info@sg-leuchten.de
www.sg-leuchten.de

DENMARK SG Armaturen A/S
Tel: +45 70 70 72 13
info@sg-as.dk
www.sg-as.dk

FINLAND SG Armaturen Oy
info@sg-oy.fi
www.sg-oy.fi

BENELUX SG Lighting SA/NV
Tel: +32(0) 15 20 72 71
info.benelux@sglighting.net
www.sglighting.net

INTERNATIONAL SG Lighting Co Ltd.
Tel: +86 769 88 49 20 88
cindy@sgdgc.com
www.sg-as.com