



# The new generation of energy saving tube lighting

## MASTER LEDtube Value

The Philips MASTER LEDtube integrates a LED light source into a traditional fluorescent form factor. Its unique design creates a perfectly uniform visual appearance which cannot be distinguished from traditional fluorescent. This product is the ideal solution for up lamping in general lighting applications.

### Benefits

- Reduced operational cost thanks to lower energy consumption
- Lower maintenance cost thanks to 2-3 times longer lifetime than normal fluorescent tubes
- Fastest and easiest way to upgrade existing luminaire to LED technology; 100%- safe installation process

### Features

- Only 50% energy consumption compared to fluorescent tubes
- Extra-long life of 40,000 hours
- Retrofit to existing T8 lamps on EM or HF electronic gear
- Full safety features and EM Protector safety device
- No mercury

### Application

- Car parks
- Warehouses
- Transport and distribution areas
- Front & back of house retail & hospitality

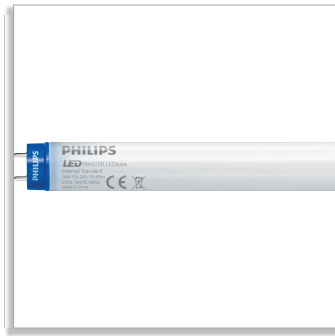


**PHILIPS**

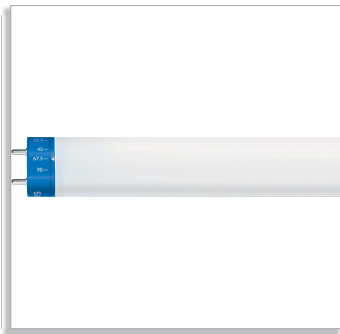
Related products



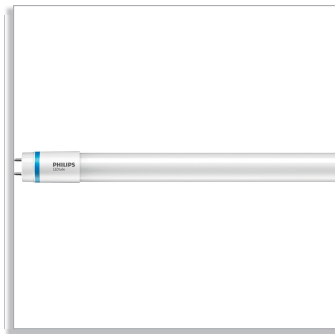
LEDcontrol



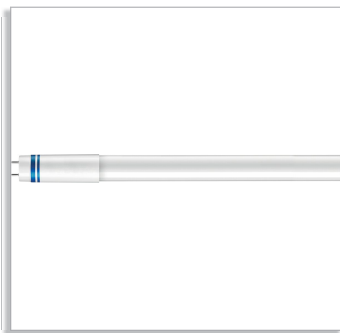
MASTER LEDtube T8 G13



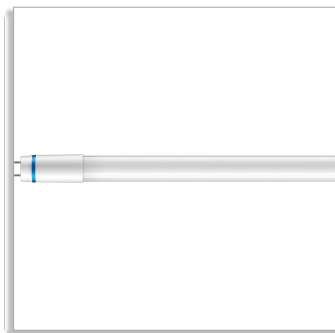
MASTER LEDtube GA 300 & GA110 ROT



MASTER LEDtube VLE 600 mm, 1200 mm, 1500 mm T8 C



LEDtube VLE HF 1500 mm 22 W, 25 W T8C Rot

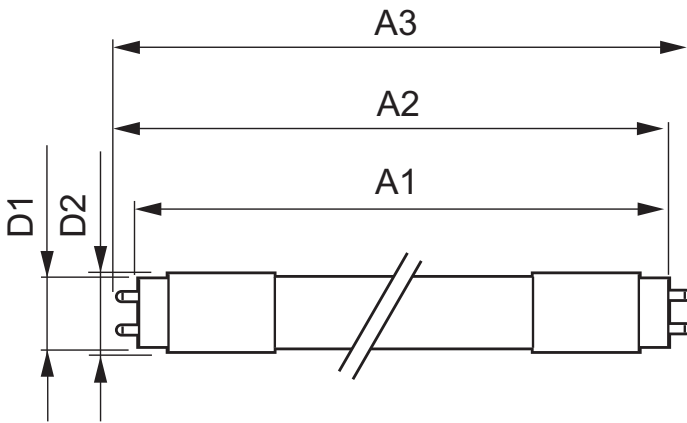


LEDtube VLE 600 mm 10 W, 1200 mm 20 W T8C Rot



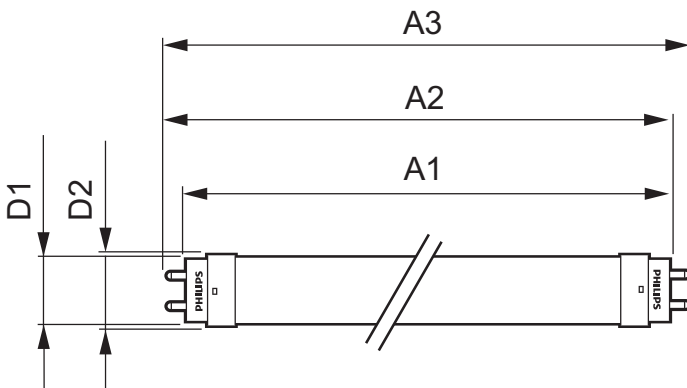
MASTER LEDtube Starter EMP 050 CP

Dimensional drawing



MASTER LEDtube VLE 1200mm 16W/840 T8 C

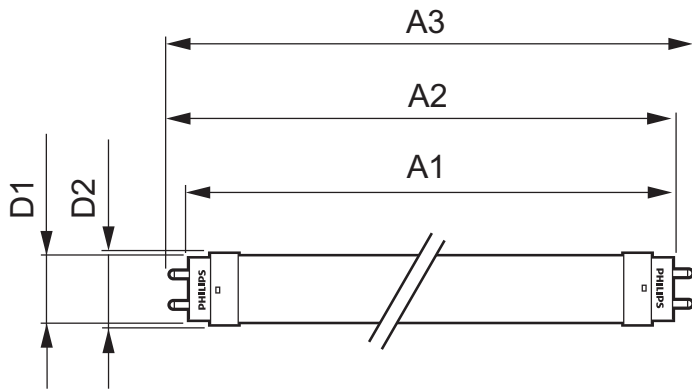
Product	A (Norm)	A1 (Norm)	A2 (Norm)	A3 (Norm)	B (Min)	B (Norm)	B (Max)	D (Min)	D (Norm)	D (Max)	D1 (Norm)	D2 (Norm)
LEDtube VLE 1200mm 16W/840 T8 C	-	1198.0	1205.0	1212.0	-	-	-	-	-	-	25.68	28
LEDtube VLE 1200mm 16W/865 T8 C	-	1198.0	1205.0	1212.0	-	-	-	-	-	-	25.68	28
LEDtube VLE 600mm 10W/840 T8 C	-	588.5	595.5	602.5	-	-	-	-	-	-	25.68	28
LEDtube VLE 600mm 10W/865 T8 C	-	588.5	595.5	602.5	-	-	-	-	-	-	25.68	28
LEDtube VLE 1500mm 20W/840 T8 C	-	1500.0	1507.1	1514.2	-	-	-	-	-	-	25.68	28
LEDtube VLE 1500mm 20W/865 T8 C	-	1500.0	1507.1	1514.2	-	-	-	-	-	-	25.68	28
LEDtube VLE 1500mm 23W G13 ROT/840	-	1498.7	1505.8	1512.9	-	-	-	-	-	-	25.68	28
LEDtube VLE 1500mm 23W G13 ROT/865	-	1498.7	1505.8	1512.9	-	-	-	-	-	-	25.68	28
LEDtube VLE 1200mm 14.5W G13/865	-	1198.0	1205.0	1212.0	-	-	-	-	-	-	25.68	28
LEDtube VLE HF 1500mm 22W/840 T8C Rot	-	1500.0	1507.1	1514.2	-	-	-	-	-	-	25.68	28
LEDtube VLE HF 1500mm 22W/865 T8C Rot	-	1500.0	1507.1	1514.2	-	-	-	-	-	-	25.68	28
LEDtube VLE HF 1500mm 25W/840 T8C Rot	-	1500.0	1507.1	1514.2	-	-	-	-	-	-	25.68	28
LEDtube VLE HF 1500mm 25W/865 T8C Rot	-	1500.0	1507.1	1514.2	-	-	-	-	-	-	25.68	28
LEDtube VLE 1200mm 20W/830 T8C Rot	-	1198.0	1205.0	1212.0	-	-	-	-	-	-	25.68	28
LEDtube VLE 1200mm 20W/840 T8C Rot	-	1198.0	1205.0	1212.0	-	-	-	-	-	-	25.68	28
LEDtube VLE 1200mm 20W/865 T8C Rot	-	1198.0	1205.0	1212.0	-	-	-	-	-	-	25.68	28
LEDtube VLE 600mm 10W/830 T8C Rot	-	588.5	595.5	602.5	-	-	-	-	-	-	25.68	28
LEDtube VLE 600mm 10W/840 T8C Rot	-	588.5	595.5	602.5	-	-	-	-	-	-	25.68	28
LEDtube VLE 600mm 10W/865 T8C Rot	-	588.5	595.5	602.5	-	-	-	-	-	-	25.68	28



MASTER LEDtube GA110 900mm 15W 840 C

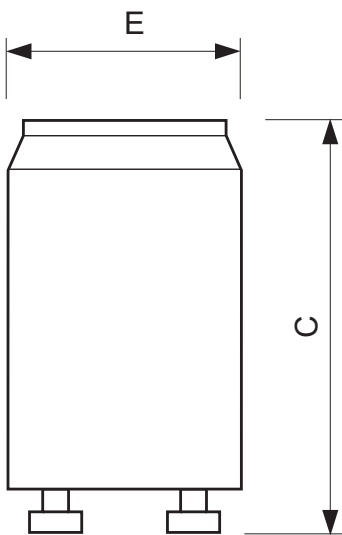
Product	A1 (Norm)	A2 (Norm)	A3 (Norm)	D1 (Norm)	D2 (Norm)
TLED INT STD 900mm 15W/840 T8	893.5	900.5	907.5	25.68	28
TLED INT STD 900mm 15W/865 T8	893.5	900.5	907.5	25.68	28

Dimensional drawing

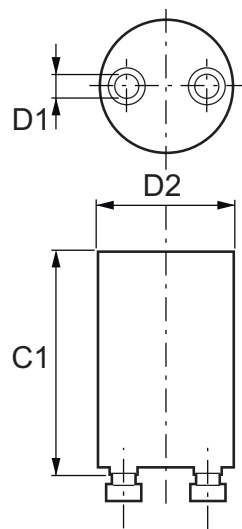


MASTER LEDtube GA110 600mm 10W 840 I ROT

Product	A (Norm)	A1 (Norm)	A2 (Norm)	A3 (Norm)	B (Min)	B (Norm)	B (Max)	D (Min)	D (Norm)	D (Max)	D1 (Norm)	D2 (Norm)
LEDtube GA110 600mm 10W 840 I ROT	-	588.5	595.5	602.5	-	-	-	-	-	-	25.68	28
LEDtube GA110 1200mm 19W 840 I ROT	-	1198.0	1205.0	1212.0	-	-	-	-	-	-	25.68	28
LEDtube GA110 1500mm 24W 840 I ROT	-	1500.0	1507.1	1514.2	-	-	-	-	-	-	25.68	28



LEDcontrol 6-19 GMT+1 su off 20x10



MASTER

Product

MASTER

General Characteristics

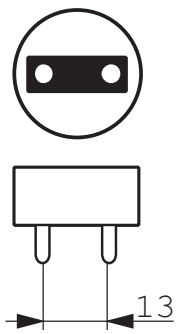
Order code	Full product name	Cap-Base	Rated Life-time
238805 00	MASTER LEDtube GA110 900mm 15W 840 C	G13	40000 hr
238829 00	MASTER LEDtube GA110 900mm 15W 865 C	G13	40000 hr
662334 00	MASTER LEDtube GA110 600mm 10W 840 I ROT	G13 ROT	40000 hr
662358 00	MASTER LEDtube GA110 1200mm 19W 840 I ROT	G13 ROT	40000 hr
662372 00	MASTER LEDtube GA110 1500mm 24W 840 I ROT	G13 ROT	40000 hr
728283 00	MASTER LEDtube VLE 1200mm 16W840 T8 C	G13	40000 hr

Order code	Full product name	Cap-Base	Rated Life-time
728306 00	MASTER LEDtube VLE 1200mm 16W865 T8 C	G13	40000 hr
735298 00	MASTER LEDtube VLE 600mm 10W840 T8C	G13	40000 hr
735311 00	MASTER LEDtube VLE 600mm 10W865 T8C	G13	40000 hr
734512 00	MASTER LEDtube VLE 1500mm 20W840 T8C	G13	40000 hr
734536 00	MASTER LEDtube VLE 1500mm 20W865 T8C	G13	40000 hr
789581 00	MASTER LEDtube VLE 1500mm 23W840 T8 CROT	G13 ROT	40000 hr
789604 00	MASTER LEDtube VLE 1500mm 23W865 T8 CROT	G13 ROT	40000 hr

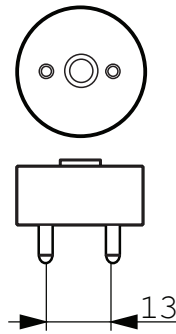
Order code	Full product name	Cap-Base	Rated Life-time
793106 00	MASTER LEDtube VLE 1200mm 14.5W/865 T8 CROT	G13	40000 hr
400784 00	MASTER LEDtube VLE HF 1500mm 22W/840 T8 CROT	G13	40000 hr
400807 00	MASTER LEDtube VLE HF 1500mm 22W/865 T8 CROT	G13	40000 hr
408865 00	MASTER LEDtube VLE HF 1500mm 25W/840 T8 CROT	G13	40000 hr
408889 00	MASTER LEDtube VLE HF 1500mm 25W/865 T8 CROT	G13	40000 hr
421987 00	MASTER LEDtube VLE 1200mm 20W/830 T8C Rot	G13	40000 hr

Order code	Full product name	Cap-Base	Rated Life-time
422007 00	MASTER LEDtube VLE 1200mm 20W/840 T8C Rot	G13	40000 hr
422021 00	MASTER LEDtube VLE 1200mm 20W/865 T8C Rot	G13	40000 hr
422045 00	MASTER LEDtube VLE 600mm 10W/830 T8C Rot	G13	40000 hr
422069 00	MASTER LEDtube VLE 600mm 10W/840 T8C Rot	G13	40000 hr
422083 00	MASTER LEDtube VLE 600mm 10W/865 T8C Rot	G13	40000 hr

Installation diagrams



G13



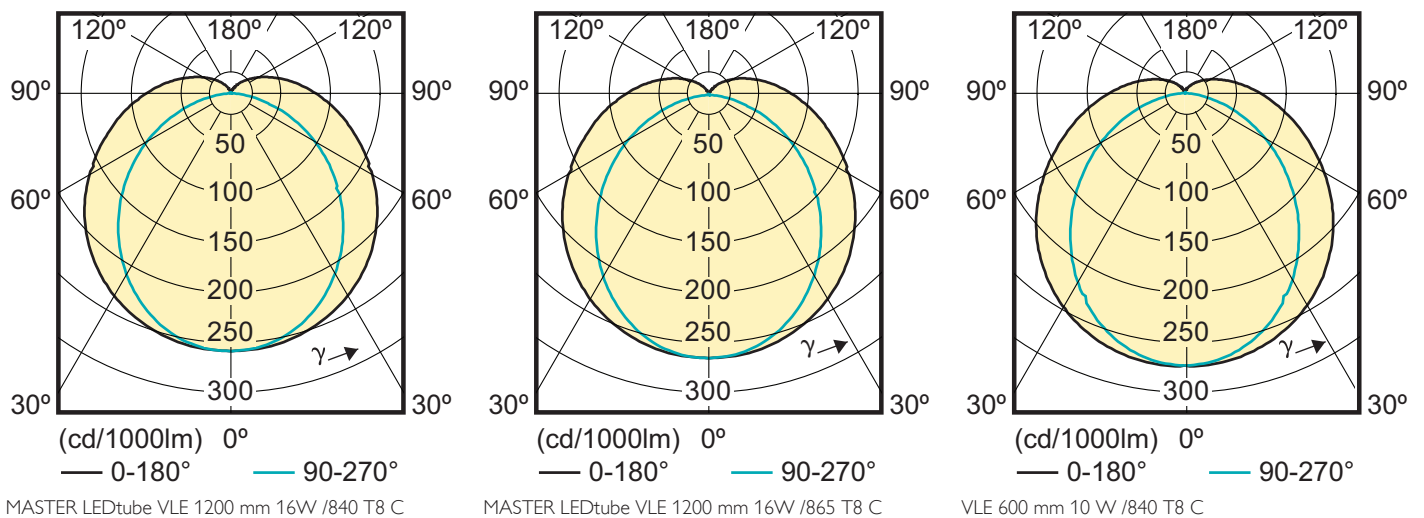
G13 ROT

Light Technical Characteristics

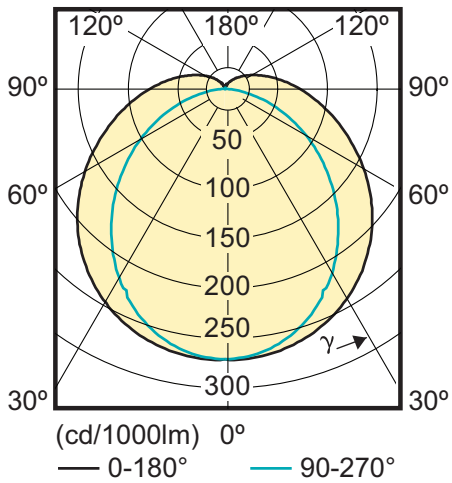
Order code	Full product name	Colour Code	Beam Angle	Luminous Intensity	Colour rendering index	Rated Luminous Flux	LLMF - end nominal life-time	Rated Beam Angle
238805 00	MASTER LEDtube GA110 900mm 15W 840 C	840	140 D	cd	83	1265 Lm	70 %	140 D
238829 00	MASTER LEDtube GA110 900mm 15W 865 C	865	140 D	cd	83	1265 Lm	70 %	140 D
662334 00	MASTER LEDtube GA110 600mm 10W 840 I ROT	840	140 D	cd	83	825 Lm	70 %	140 D
662358 00	MASTER LEDtube GA110 1200mm 19W 840 I ROT	840	140 D	cd	83	1650 Lm	70 %	140 D
662372 00	MASTER LEDtube GA110 1500mm 24W 840 I ROT	840	140 D	cd	83	2065 Lm	70 %	140 D
728283 00	MASTER LEDtube VLE 1200mm 16W/840 T8 C	840	150 D	cd	83	1600 Lm	70 %	150 D
728306 00	MASTER LEDtube VLE 1200mm 16W/865 T8 C	865	150 D	cd	83	1600 Lm	70 %	150 D
735298 00	MASTER LEDtube VLE 600mm 10W/840 T8C	840	150 D	cd	83	1050 Lm	70 %	150 D

Order code	Full product name	Colour Code	Beam Angle	Luminous Intensity	Colour rendering index	Rated Luminous Flux	LLMF - end nominal life-time	Rated Beam Angle
735311 00	MASTER LEDtube VLE 600mm 10W865 T8C	865	150 D	cd	83	1050 Lm	70 %	150 D
734512 00	MASTER LEDtube VLE 1500mm 20W840 T8C	840	150 D	cd	83	2000 Lm	70 %	150 D
734536 00	MASTER LEDtube VLE 1500mm 20W865 T8C	865	150 D	cd	83	2000 Lm	70 %	150 D
789581 00	MASTER LEDtube VLE 1500mm 23W840 T8 CROT	840	150 D	cd	83	3100 Lm	70 %	150 D
789604 00	MASTER LEDtube VLE 1500mm 23W865 T8 CROT	865	150 D	cd	83	3100 Lm	70 %	150 D
793106 00	MASTER LEDtube VLE 1200mm 14.5W865 T8 CROT	865	150 D	cd	83	1600 Lm	70 %	150 D
400784 00	MASTER LEDtube VLE HF 1500mm 22W840 T8 CROT	840	150 D	cd	83	2000 Lm	70 %	150 D
400807 00	MASTER LEDtube VLE HF 1500mm 22W865 T8 CROT	865	150 D	cd	83	2000 Lm	70 %	150 D
408865 00	MASTER LEDtube VLE HF 1500mm 25W840 T8 CROT	840	150 D	cd	83	3100 Lm	70 %	150 D
408889 00	MASTER LEDtube VLE HF 1500mm 25W865 T8 CROT	865	150 D	cd	83	3100 Lm	70 %	150 D
421987 00	MASTER LEDtube VLE 1200mm 20W/830 T8C Rot	830	150 D	cd	83	2000 Lm	70 %	150 D
422007 00	MASTER LEDtube VLE 1200mm 20W/840 T8C Rot	840	150 D	cd	83	2100 Lm	70 %	150 D
422021 00	MASTER LEDtube VLE 1200mm 20W/865 T8C Rot	865	150 D	cd	83	2100 Lm	70 %	150 D
422045 00	MASTER LEDtube VLE 600mm 10W/830 T8C Rot	830	150 D	cd	83	1000 Lm	70 %	150 D
422069 00	MASTER LEDtube VLE 600mm 10W/840 T8C Rot	840	150 D	cd	83	1050 Lm	70 %	150 D
422083 00	MASTER LEDtube VLE 600mm 10W/865 T8C Rot	865	150 D	cd	83	1050 Lm	70 %	150 D

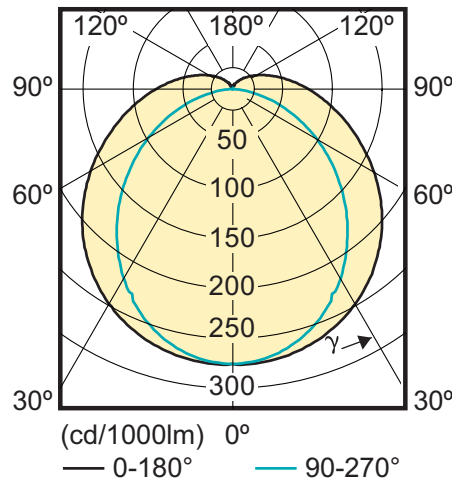
Light technical



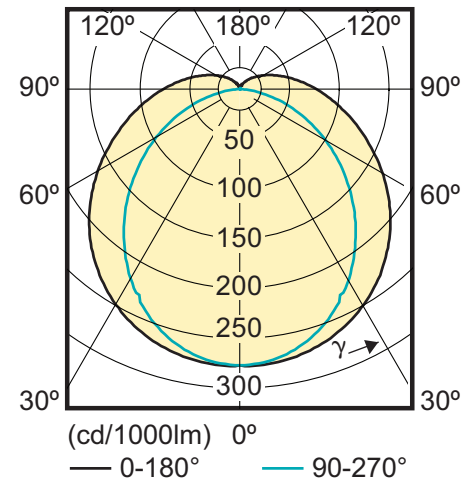
Light technical



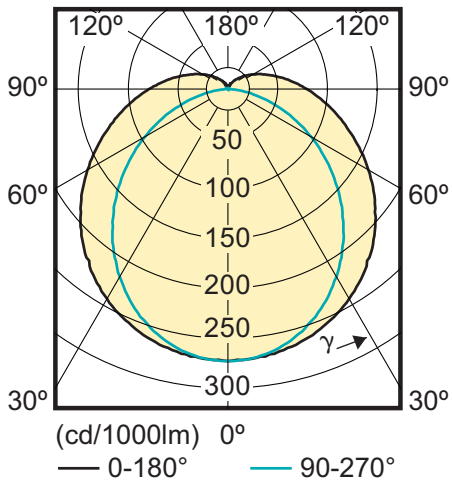
VLE 600 mm 10 W /865 T8 C



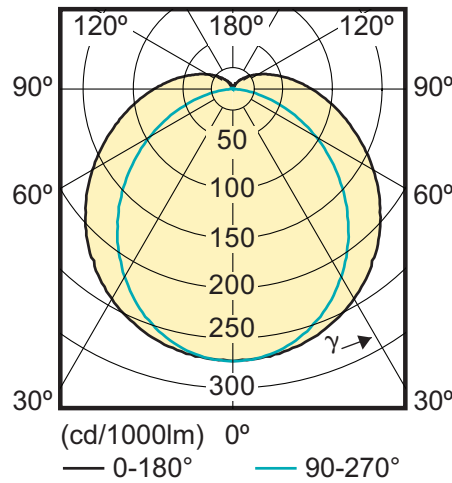
VLE 1500 mm 20 W /840 T8 C



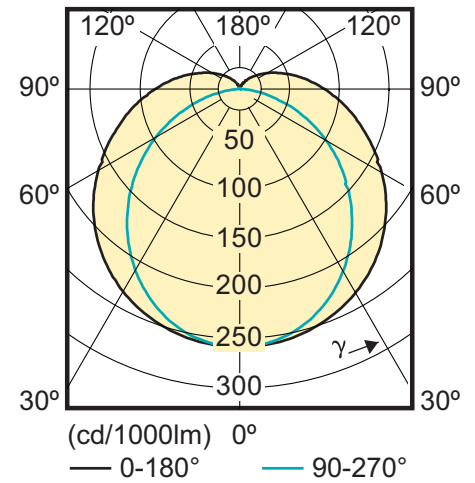
VLE 1500 mm 20 W /865 T8 C



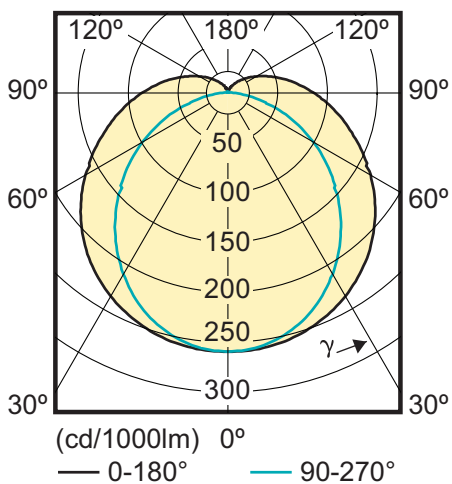
VLE 1500 mm 23 W /840 ROT



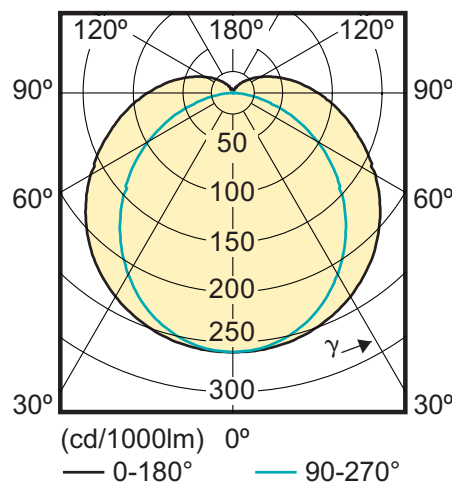
VLE 1500 mm 23 W /865 ROT



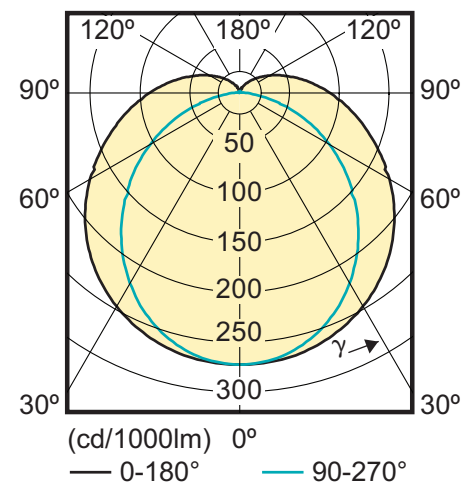
VLE 1200 mm 14.5 W /865



LED tube VLE HF 1500 mm T8C Rot



LED tube VLE 1200 mm 20 W T8C Rot



LED tube VLE 600 mm 10 W T8C Rot

Electrical Characteristics

Order code	Full product name	Wattage	Voltage	Line Frequency	Dimmable	Rated Wattage	Starting Time
238805 00	MASTER LEDtube GA110 900mm 15W 840 C	15 W	100-240 V	50/60 Hz	No	15 W	0.5 (max) s
238829 00	MASTER LEDtube GA110 900mm 15W 865 C	15 W	100-240 V	50/60 Hz	No	15 W	0.5 (max) s
662334 00	MASTER LEDtube GA110 600mm 10W 840 I ROT	10 W	100-240 V	50/60 Hz	No	10 W	0.5 (max) s
662358 00	MASTER LEDtube GA110 1200mm 19W 840 I ROT	19 W	100-240 V	50/60 Hz	No	19 W	0.5 (max) s
662372 00	MASTER LEDtube GA110 1500mm 24W 840 I ROT	24 W	100-240 V	50/60 Hz	No	24 W	0.5 (max) s
728283 00	MASTER LEDtube VLE 1200mm 16W840 T8 C	16 W	220-240 V	50/60 Hz	No	16.0 W	0.5 (max) s
728306 00	MASTER LEDtube VLE 1200mm 16W865 T8 C	16 W	220-240 V	50/60 Hz	No	16.0 W	0.5 (max) s
735298 00	MASTER LEDtube VLE 600mm 10W840 T8C	10 W	220-240 V	50/60 Hz	No	10 W	0.5 (max) s
735311 00	MASTER LEDtube VLE 600mm 10W865 T8C	10 W	220-240 V	50/60 Hz	No	10 W	0.5 (max) s
734512 00	MASTER LEDtube VLE 1500mm 20W840 T8C	20 W	220-240 V	50/60 Hz	No	20 W	0.5 (max) s
734536 00	MASTER LEDtube VLE 1500mm 20W865 T8C	20 W	220-240 V	50/60 Hz	No	20 W	0.5 (max) s
789581 00	MASTER LEDtube VLE 1500mm 23W840 T8 CROT	23 W	220-240 V	50/60 Hz	No	23 W	0.5 (max) s
789604 00	MASTER LEDtube VLE 1500mm 23W865 T8 CROT	23 W	220-240 V	50/60 Hz	No	23 W	0.5 (max) s
793106 00	MASTER LEDtube VLE 1200mm 14.5W865 T8 CROT	14.5 W	220-240 V	50/60 Hz	No	14.5 W	0.5 (max) s
400784 00	MASTER LEDtube VLE HF 1500mm 22W840 T8 CROT	22 W	220-240 V	50/60 Hz	No	22 W	0.5 (max) s
400807 00	MASTER LEDtube VLE HF 1500mm 22W865 T8 CROT	22 W	220-240 V	50/60 Hz	No	22 W	0.5 (max) s
408865 00	MASTER LEDtube VLE HF 1500mm 25W840 T8 CROT	25 W	220-240 V	50/60 Hz	No	25 W	0.5 (max) s
408889 00	MASTER LEDtube VLE HF 1500mm 25W865 T8 CROT	25 W	220-240 V	50/60 Hz	No	25 W	0.5 (max) s
421987 00	MASTER LEDtube VLE 1200mm 20W/830 T8C Rot	20 W	220-240 V	50/60 Hz	No	20 W	0.5 (max) s
422007 00	MASTER LEDtube VLE 1200mm 20W/840 T8C Rot	20 W	220-240 V	50/60 Hz	No	20 W	0.5 (max) s
422021 00	MASTER LEDtube VLE 1200mm 20W/865 T8C Rot	20 W	220-240 V	50/60 Hz	No	20 W	0.5 (max) s
422045 00	MASTER LEDtube VLE 600mm 10W/830 T8C Rot	10 W	220-240 V	50/60 Hz	No	10 W	0.5 (max) s
422069 00	MASTER LEDtube VLE 600mm 10W/840 T8C Rot	10 W	220-240 V	50/60 Hz	No	10 W	0.5 (max) s
422083 00	MASTER LEDtube VLE 600mm 10W/865 T8C Rot	10 W	220-240 V	50/60 Hz	No	10 W	0.5 (max) s
729280 00	MASTER LEDtube Starter EMP	-	-	50/60 Hz	-	-	-

Temperature Characteristics

Order code	Full product name	T-case maximum	Operating temperature	T-Storage	Order code	Full product name	T-case maximum	Operating temperature	T-Storage
238805 00	MASTER LEDtube GA110 900mm 15W 840 C	62 (max) C	-30 (min), 45 (max) C	-40 (min), 65 (max) C	735311 00	MASTER LEDtube VLE 600mm 10W865 T8C	55 (max) C	-20 (min), 45 (max) C	-40 (min), 65 (max) C
238829 00	MASTER LEDtube GA110 900mm 15W 865 C	62 (max) C	-30 (min), 45 (max) C	-40 (min), 65 (max) C	734512 00	MASTER LEDtube VLE 1500mm 20W840 T8C	50 (max) C	-20 (min), 45 (max) C	-40 (min), 65 (max) C
662334 00	MASTER LEDtube GA110 600mm 10W 840 I ROT	62 (max) C	-30 (min), 45 (max) C	-40 (min), 65 (max) C	734536 00	MASTER LEDtube VLE 1500mm 20W865 T8C	50 (max) C	-20 (min), 45 (max) C	-40 (min), 65 (max) C
662358 00	MASTER LEDtube GA110 1200mm 19W 840 I ROT	62 (max) C	-30 (min), 45 (max) C	-40 (min), 65 (max) C	789581 00	MASTER LEDtube VLE 1500mm 23W840 T8 CROT	55 (max) C	-20 (min), 35 (max) C	-40 (min), 65 (max) C
662372 00	MASTER LEDtube GA110 1500mm 24W 840 I ROT	62 (max) C	-30 (min), 45 (max) C	-40 (min), 65 (max) C	789604 00	MASTER LEDtube VLE 1500mm 23W865 T8 CROT	55 (max) C	-20 (min), 35 (max) C	-40 (min), 65 (max) C
728283 00	MASTER LEDtube VLE 1200mm 16W840 T8 C	62 (max) C	-30 (min), 45 (max) C	-40 (min), 65 (max) C	793106 00	MASTER LEDtube VLE 1200mm 14.5W865 T8 CROT	55 (max) C	-20 (min), 35 (max) C	-40 (min), 65 (max) C
728306 00	MASTER LEDtube VLE 1200mm 16W865 T8 C	62 (max) C	-30 (min), 45 (max) C	-40 (min), 65 (max) C	400784 00	MASTER LEDtube VLE HF 1500mm 22W840 T8 CROT	60 (max) C	-20 (min), 45 (max) C	-40 (min), 65 (max) C
735298 00	MASTER LEDtube VLE 600mm 10W840 T8C	55 (max) C	-20 (min), 45 (max) C	-40 (min), 65 (max) C	400807 00	MASTER LEDtube VLE HF 1500mm 22W865 T8 CROT	60 (max) C	-20 (min), 45 (max) C	-40 (min), 65 (max) C



Order code	Full product name	T-case maximum	Operating temperature	T-Storage
408865 00	MASTER LEDtube VLE HF 1500mm 25W840 T8 CROT	60 (max) C	-20 (min), 45 (max) C	-40 (min), 65 (max) C
408889 00	MASTER LEDtube VLE HF 1500mm 25W865 T8 CROT	60 (max) C	-20 (min), 45 (max) C	-40 (min), 65 (max) C
421987 00	MASTER LEDtube VLE 1200mm 20W/830 T8C Rot	50 (max) C	-30 (min), 45 (max) C	-40 (min), 65 (max) C
422007 00	MASTER LEDtube VLE 1200mm 20W/840 T8C Rot	50 (max) C	-30 (min), 45 (max) C	-40 (min), 65 (max) C
422021 00	MASTER LEDtube VLE 1200mm 20W/865 T8C Rot	50 (max) C	-30 (min), 45 (max) C	-40 (min), 65 (max) C
422045 00	MASTER LEDtube VLE 600mm 10W/830 T8C Rot	50 (max) C	-30 (min), 45 (max) C	-40 (min), 65 (max) C
422069 00	MASTER LEDtube VLE 600mm 10W/840 T8C Rot	50 (max) C	-30 (min), 45 (max) C	-40 (min), 65 (max) C
422083 00	MASTER LEDtube VLE 600mm 10W/865 T8C Rot	50 (max) C	-30 (min), 45 (max) C	-40 (min), 65 (max) C

Order code	Full product name	Energy Efficiency Label (EEL)	Energy consumption kWh/1000h
400784 00	MASTER LEDtube VLE HF 1500mm 22W840 T8 CROT	A	27 kWh
400807 00	MASTER LEDtube VLE HF 1500mm 22W865 T8 CROT	A	27 kWh
408865 00	MASTER LEDtube VLE HF 1500mm 25W840 T8 CROT	A+	30 kWh
408889 00	MASTER LEDtube VLE HF 1500mm 25W865 T8 CROT	A+	30 kWh
421987 00	MASTER LEDtube VLE 1200mm 20W/830 T8C Rot	A+	20 kWh
422007 00	MASTER LEDtube VLE 1200mm 20W/840 T8C Rot	A+	20 kWh
422021 00	MASTER LEDtube VLE 1200mm 20W/865 T8C Rot	A+	20 kWh
422045 00	MASTER LEDtube VLE 600mm 10W/830 T8C Rot	A+	10 kWh
422069 00	MASTER LEDtube VLE 600mm 10W/840 T8C Rot	A+	10 kWh
422083 00	MASTER LEDtube VLE 600mm 10W/865 T8C Rot	A+	10 kWh

Environmental characteristics

Order code	Full product name	Energy Efficiency Label (EEL)	Energy consumption kWh/1000h
238805 00	MASTER LEDtube GA110 900mm 15W 840 C	A+	15 kWh
238829 00	MASTER LEDtube GA110 900mm 15W 865 C	A+	15 kWh
662334 00	MASTER LEDtube GA110 600mm 10W 840 I ROT	A+	10 kWh
662358 00	MASTER LEDtube GA110 1200mm 19W 840 I ROT	A+	19 kWh
662372 00	MASTER LEDtube GA110 1500mm 24W 840 I ROT	A+	24 kWh
728283 00	MASTER LEDtube VLE 1200mm 16W840 T8 C	A+	16 kWh
728306 00	MASTER LEDtube VLE 1200mm 16W865 T8 C	A+	16 kWh
735298 00	MASTER LEDtube VLE 600mm 10W840 T8C	A+	10 kWh
735311 00	MASTER LEDtube VLE 600mm 10W865 T8C	A+	10 kWh
734512 00	MASTER LEDtube VLE 1500mm 20W840 T8C	A+	20 kWh
734536 00	MASTER LEDtube VLE 1500mm 20W865 T8C	A+	20 kWh
789581 00	MASTER LEDtube VLE 1500mm 23W840 T8 CROT	A+	23 kWh
789604 00	MASTER LEDtube VLE 1500mm 23W865 T8 CROT	A+	23 kWh
793106 00	MASTER LEDtube VLE 1200mm 14.5W865 T8 CROT	A+	14.5 kWh

Measuring Conditions

Order code	Full product name	Switching cycle
238805 00	MASTER LEDtube GA110 900mm 15W 840 C	50000X
238829 00	MASTER LEDtube GA110 900mm 15W 865 C	50000X
662334 00	MASTER LEDtube GA110 600mm 10W 840 I ROT	50000X
662358 00	MASTER LEDtube GA110 1200mm 19W 840 I ROT	50000X
662372 00	MASTER LEDtube GA110 1500mm 24W 840 I ROT	50000X
728283 00	MASTER LEDtube VLE 1200mm 16W840 T8 C	50000X
728306 00	MASTER LEDtube VLE 1200mm 16W865 T8 C	50000X
735298 00	MASTER LEDtube VLE 600mm 10W840 T8C	50000X
735311 00	MASTER LEDtube VLE 600mm 10W865 T8C	50000X
734512 00	MASTER LEDtube VLE 1500mm 20W840 T8C	50000X
734536 00	MASTER LEDtube VLE 1500mm 20W865 T8C	50000X
789581 00	MASTER LEDtube VLE 1500mm 23W840 T8 CROT	50000X
789604 00	MASTER LEDtube VLE 1500mm 23W865 T8 CROT	50000X
793106 00	MASTER LEDtube VLE 1200mm 14.5W865 T8 CROT	50000X
400784 00	MASTER LEDtube VLE HF 1500mm 22W840 T8 CROT	50000X
400807 00	MASTER LEDtube VLE HF 1500mm 22W865 T8 CROT	50000X
408865 00	MASTER LEDtube VLE HF 1500mm 25W840 T8 CROT	50000X
408889 00	MASTER LEDtube VLE HF 1500mm 25W865 T8 CROT	50000X
421987 00	MASTER LEDtube VLE 1200mm 20W/830 T8C Rot	50000X
422007 00	MASTER LEDtube VLE 1200mm 20W/840 T8C Rot	50000X
422021 00	MASTER LEDtube VLE 1200mm 20W/865 T8C Rot	50000X
422045 00	MASTER LEDtube VLE 600mm 10W/830 T8C Rot	50000X
422069 00	MASTER LEDtube VLE 600mm 10W/840 T8C Rot	50000X
422083 00	MASTER LEDtube VLE 600mm 10W/865 T8C Rot	50000X



© 2015 Koninklijke Philips N.V. (Royal Philips)  
All rights reserved.

Specifications are subject to change without notice. Trademarks are the property of Koninklijke Philips N.V. (Royal Philips) or their respective owners.

[www.philips.com/lighting](http://www.philips.com/lighting)

2015, January 7  
data subject to change