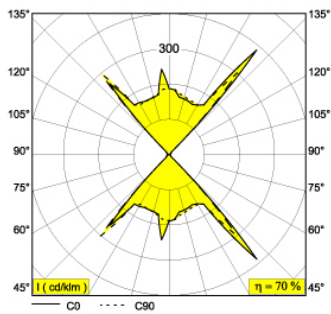
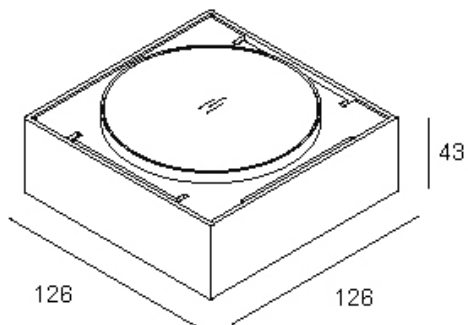


## VISION LED WW

278 25 22





◇ = W / W-C

INCL.2 x LENS

INCL.2 x POWERLED WHITE 2W / 3000K

INCL.LED POWER SUPPLY 500mA-DC

CURRENT CONTROLLED

◇ CE  0.9 IP20 850°C 

For detailed installation instructions, please consult the manual.

 DELTALIGHT®

Headquarters Delta Light nv - Muizelstraat 2 - 8560 Wevelgem (Moorsele)  
Tel +32 56 435 735 Fax +32 56 435 736 Email info@deltalight.com

## VISION LED WW

278 25 22



© Delta Light 2008

 **DELTA**LIGHT®

**Headquarters** Delta Light nv - Muizelstraat 2 - 8560 Wevelgem (Moorsele)  
**Tel** +32 56 435 735 **Fax** +32 56 435 736 **Email** info@deltalight.com