

PRODUCT DATA SHEET

Part number 130406

EAN 4015609010479

Manufacturer WALTHER-WERKE

WEEE-Reg.-Number: DE 22131895

Product description

Wall socket for external fixing 32A 4P 6h with one top cable entry



Product Image

Detailed product description

WALTHER Wall socket 32A 4P 400V 6h IP44
 made from PA6 material
 with screw terminal
 for external fixing
 and with one top cable entry

Ordering Information

Order unit	Piece
Customs number	85366990
Net weight	0,302 kg
Packing quantity (VPE)	10
Length of the packaging	0,31 m
Width of the packaging	0,255 m
Depth of the packaging	0,15 m
Gross weight(VPE)	3,216 kg

Certificates

VDE certification 123021



CQC certification

2004010203136950



EAC certification

BY112.02.01.020 06089



Classification system

Classification system

ETIM_6.0

ETIM Class

EC001321

Technical product data

Model Surface mounted (plaster)

IEC-amperage 32 A

Amperage acc. UL/CSA (for UL-version) 30 A

Number of poles 4

Voltage acc. EN 60309-2 400 V (50+60 Hz) red

Clock hour position 6 h

Identification colour Red

RAL-number 3000

Degree of protection (IP) IP44

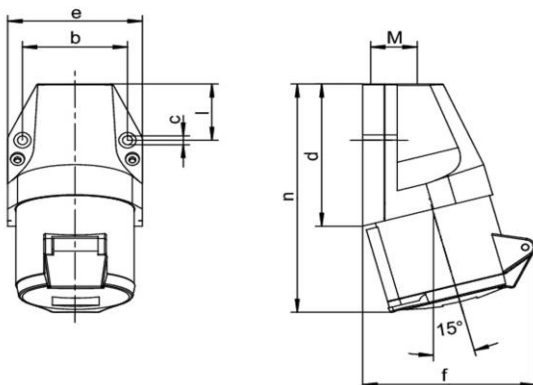
Connection system Screwed terminal

Material Plastic

Type of fastening External mounting

Insulated mounting True

Dimension sheet



Amp.	16			32		
Pole	3	4	5	3	4	5
b	45,5	60	60	60	60	60
c	5,3	5,3	5,3	5,3	5,3	5,3
d	74	80	80	97	97	97
e	60	74	74	82	82	82
f	75	86	90	103	103	105
l	28	31	31	45	45	45
n	120	128	129	154	154	155
M	20	20	20	25	25	25