

▶ Armaduras estanques

▶ Apliques estancos

▶ Luminaire

▶ Apliques étanches



Aceita lâmpadas LED de temperatura < 36 °C
 Accepta lamparas LED de temperatura < 36 °C
 Accepts LED lamps temperature < 36 °C
 Accepte ampoules LED temperature < 36 °C

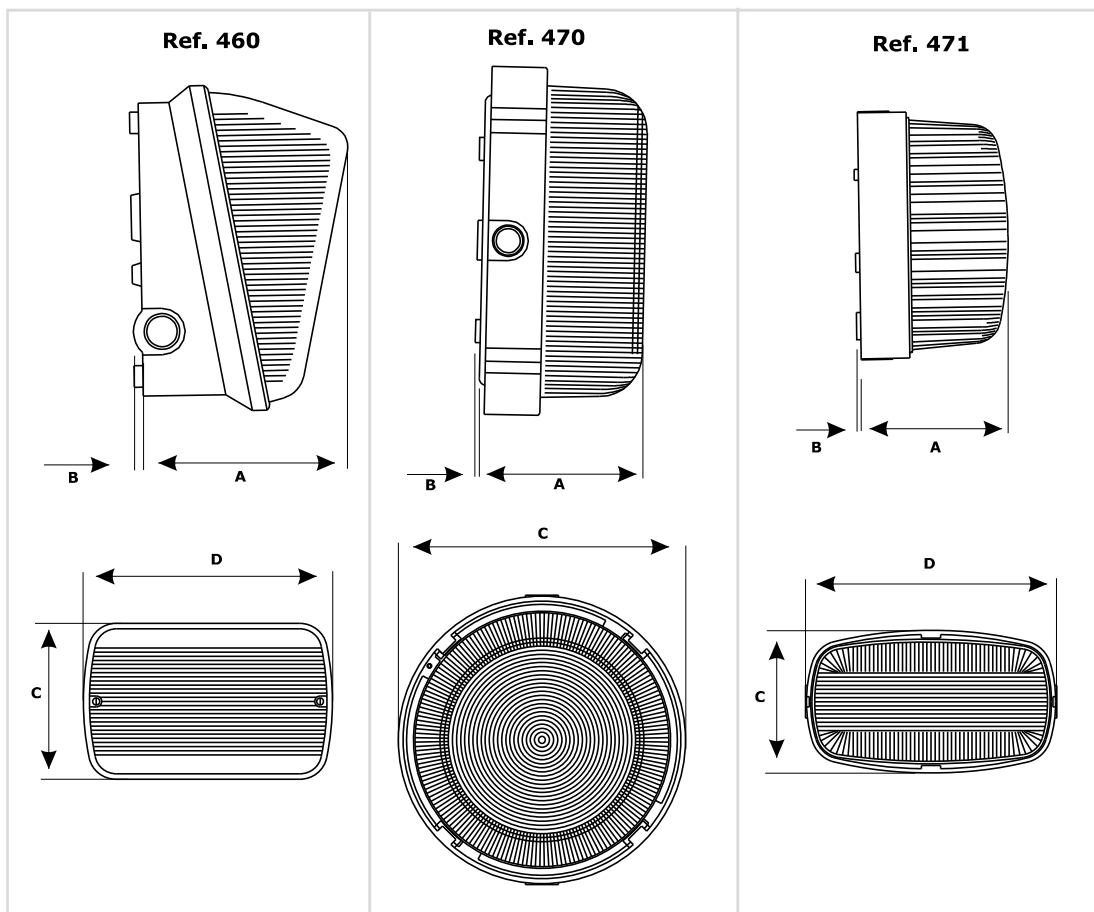
	-5° C +60° C
	Material termoplástico Material termoplastico Thermoplastic material Matériel thermoplastique
	Lâmpada Incandescente Lampara Incandescente Edison Lamp Lampe Incandescent
	Lâmpada LED Lampara LED LED Edison Lamp Lampe LED
	Bucim Prensaestopa Cable Gland Presse-étoupe



Ref.	Sup.	Watt	Max T (°C)		IP	IK	Volt.	
460	E 27	100 W	36		54	09	250 V	1
470	E 27	100 W	45		43	09	250 V	1
471	E 27	60 W	36		43	09	250 V	1



IK09
 Difusor em Policarbonato
 Polycarbonate diffuser
 Diffuseur en polycarbonate



Ref.	A	B	C	D
460	107	3	104	184
470	98	3	∅ 117	-
471	120	5	114	184