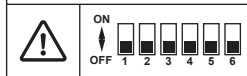


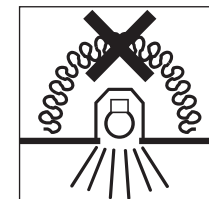
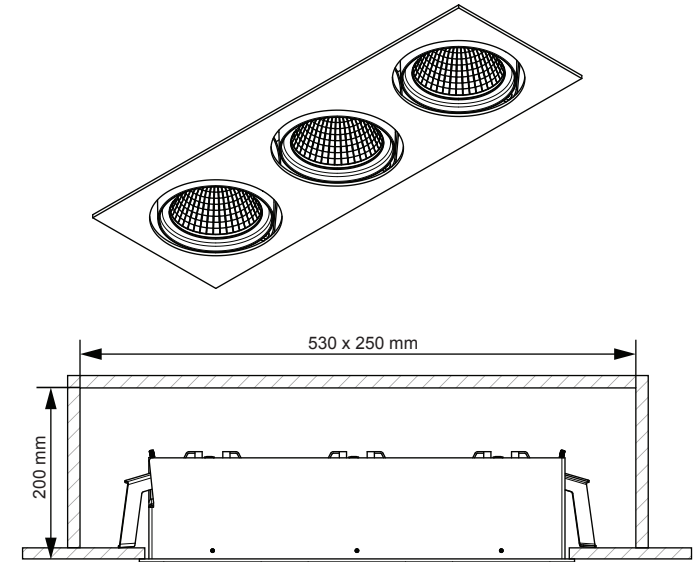
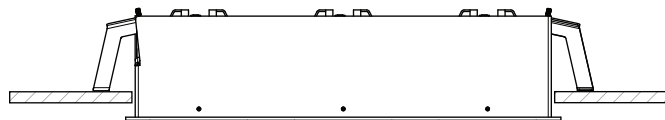
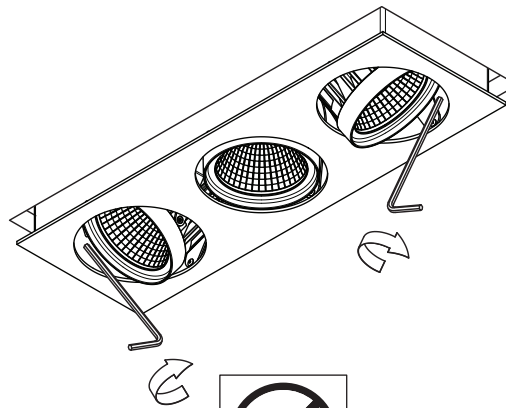
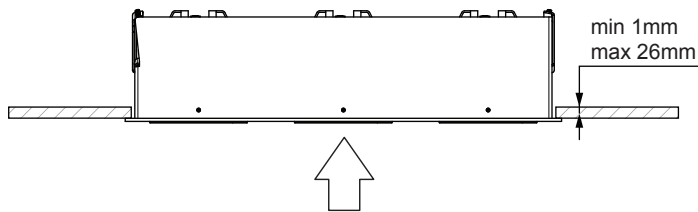
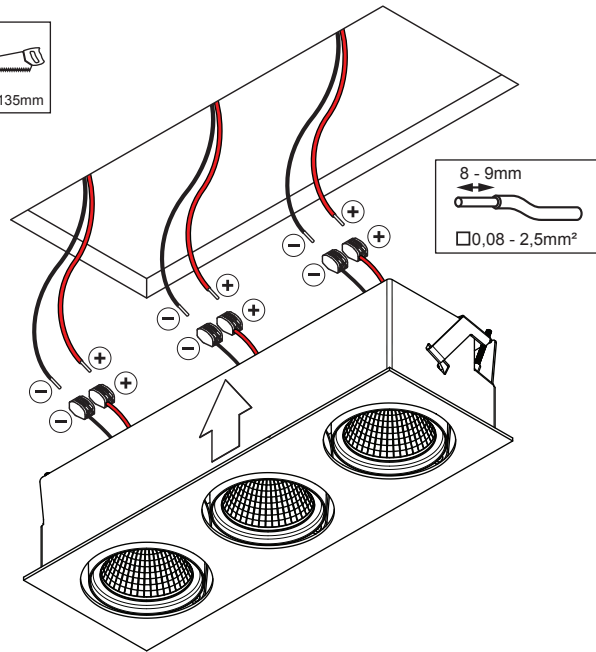
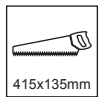
Marcel 3xLED GE

140930XX_140931XX_140932XX_140933XX_140934XX_140935XX

CHECK DIP-SWITCHES ON DRIVER



500mA - min 26Vf - max 30,1Vf - 14,1W
 700mA - min 26,6Vf - max 30,8Vf - 20,1W
 900mA - min 27Vf - max 31,2Vf - 25,5W
 1050mA - min 27,3Vf - max 31,7Vf - 31W



PREVENTING ELECTROSTATIC DAMAGE

A discharge of static electricity may damage sensitive components. Always be properly grounded when touching leads or circuitry inside the luminaire. Use a wrist strap connected by a ground cord to the housing. Avoid touching the light sources with bare hands.

The light source contained in this luminaire shall only be replaced by the manufacturer or his service agent or a similar qualified person

CAN BE USED WITH
 Drivers:
 see driver matrix - latest version on website
www.supermodular.com or check sales contact

