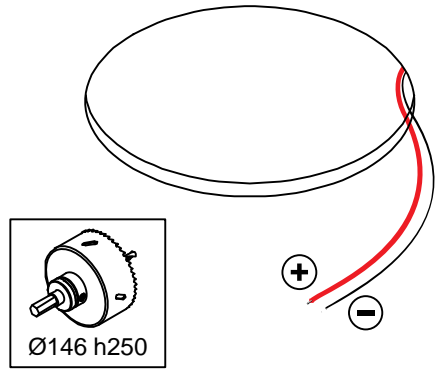
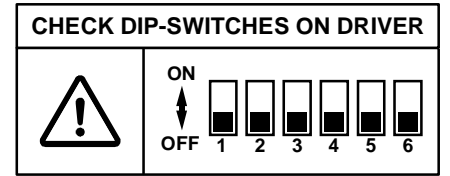
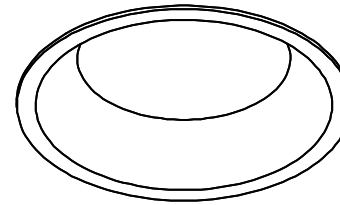
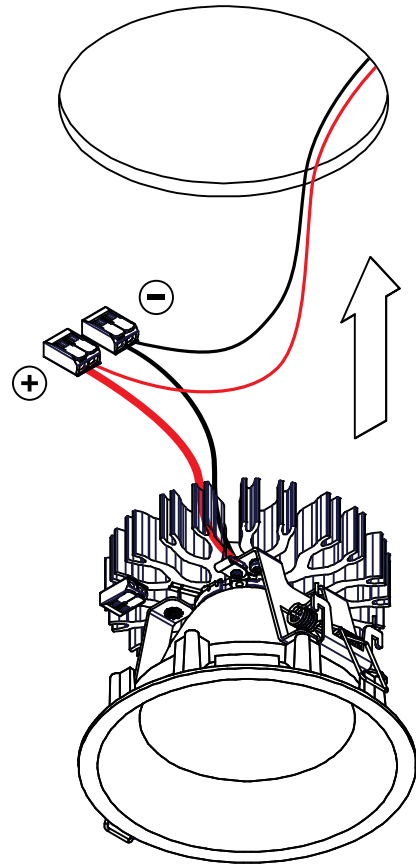


# Smart Lotis 160 IP GE

130140XX\_130141XX\_130142XX\_130143XX\_130144XX\_130145XX\_130146XX\_130147XX\_130148XX\_130150XX\_130151XX\_130152XX\_130160XX\_130161XX\_130162XX



Drive Current (mA)	Forward Voltage		Power (W)
	min (Vf)	max (Vf)	
500	30,6	35,4	16,0
700	31,2	36,0	23,5
900	31,8	36,6	30,8
1050	32,1	37,1	36,3
1200	32,5	37,5	42,0
1400	33,0	38,0	49,7



check dipswitch settings on driver  
Push Dim max 5 drivers on 1 push button

The light source contained in this luminaire shall only be replaced by the manufacturer or his service agent or a similar qualified person

**CAN BE USED WITH**  
drivers:  
see driver matrix - latest version on website  
[www.supermodular.com](http://www.supermodular.com) or check sales contact

Mask:  
13040009 Smart Mask 160 Whstr  
13040032 Smart Mask 160 Blstr

