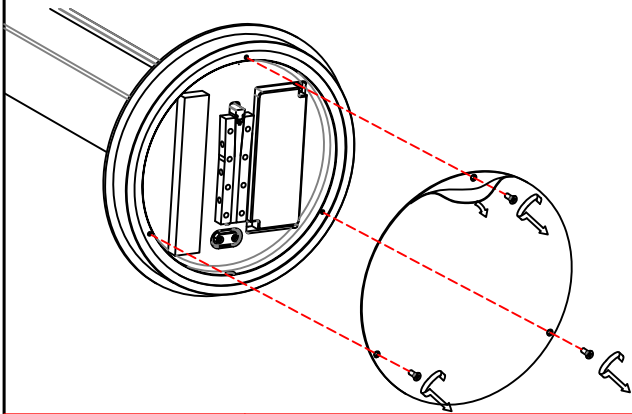
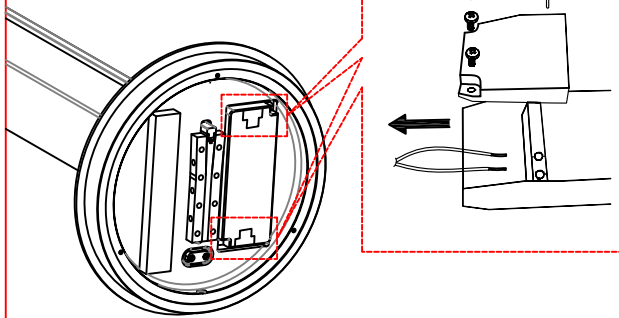


1. Tear off the pad beneath the base. Just expose the screws. It is not necessary to tear off the whole pad.
 2. Loosen the 3* screws on the iron sheet beneath the base and remove the iron sheet.



3. Disassemble the driver cover and loosen the terminal. Then take out the wires.



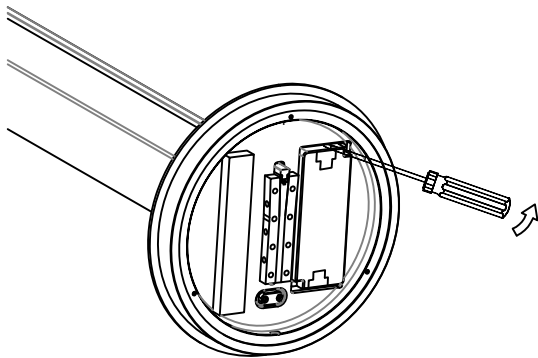
TOOL

Screwdriver

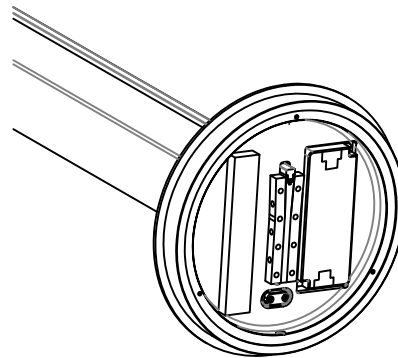
TOOL

Screwdriver

4. Use a flat head screwdriver to pry the driver out. Be careful not to apply too much force.
 5. Clean the glue on the groove of the base.



6. Replace with a new driver and fix it with silicon glue.



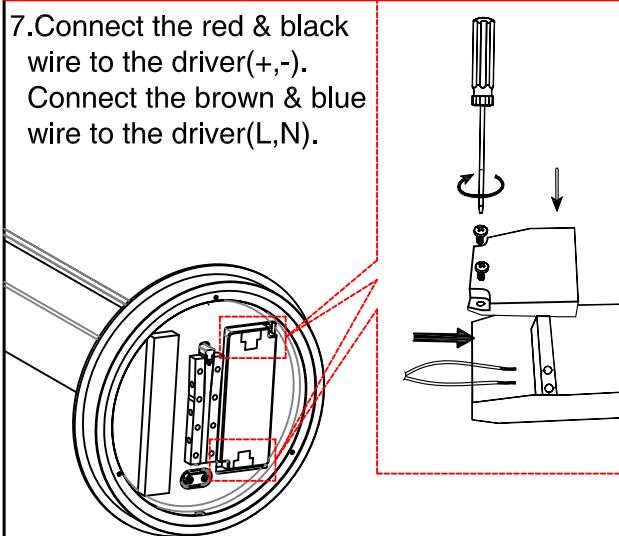
TOOL

Screwdriver

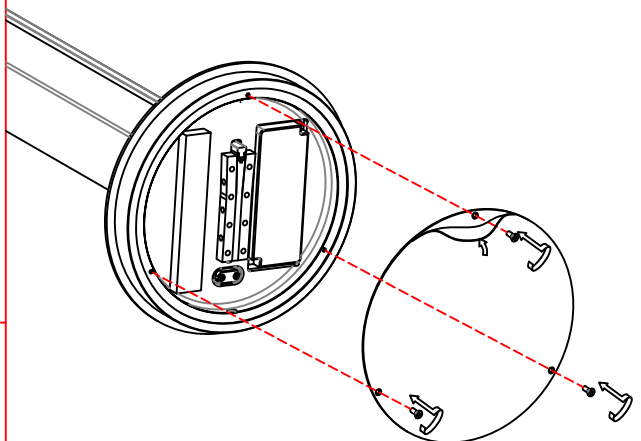
TOOL

Silicon glue

7. Connect the red & black wire to the driver(+,-). Connect the brown & blue wire to the driver(L,N).



8. Fix the iron sheet.
 9. Stick the torn pad to the iron sheet.



TOOL

Screwdriver

TOOL

Screwdriver