

PRODUCT FAMILY DATASHEET

DOWNLIGHT SLIM ALU

Flat downlights with external driver and aluminum housing



AREAS OF APPLICATION

- Direct replacement for luminaires with compact fluorescent lamps
- General illumination
- Public areas
- Stairways
- Corridors
- Foyers
- Shops

PRODUCT BENEFITS

- Very slim housing
- Low installation depth
- High luminous efficacy
- Energy savings up to 60 % (compared to luminaires that use CFL lamps)
- Very homogenous light
- Functional design
- External driver for easy replacement
- 5 years guarantee

PRODUCT FEATURES

- Solid aluminum housing in white
- Small visible bezel
- Light guide made of non-yellowing PMMA for long lifetime



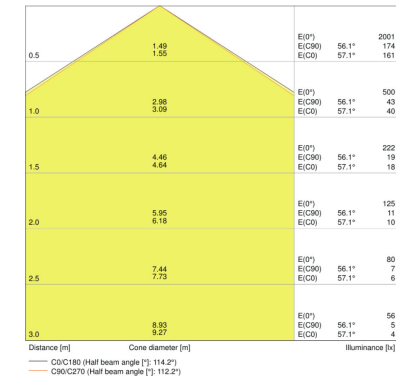
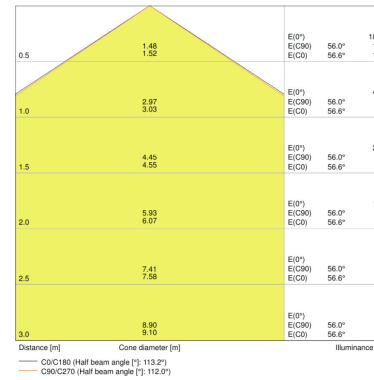
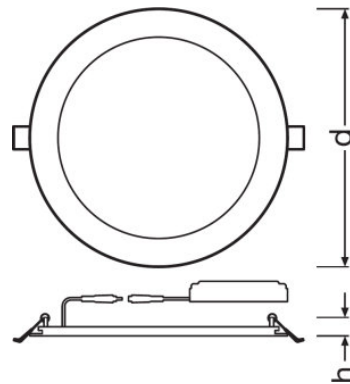
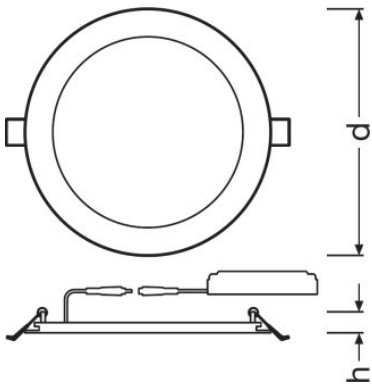
TECHNICAL DATA

Product description	Electrical data			Luminaire control gear data				
	Nominal wattage	Nominal voltage	Mains frequency	Ouput current	ECG - Input voltage AC	Max. no. of lum. on circuit break. B16 A	Max. no. of lum. on circuit break. C10 A	Max. no. of lum. on circuit break. C16 A
DL SLIM ALU DN 180 17 W 3000 K WT	17.00 W	220...240 V	50/60 Hz	330 mA	220...240 V	16	14	23
DL SLIM ALU DN 180 17 W 4000 K WT	17.00 W	220...240 V	50/60 Hz	330 mA		16	14	23
DL SLIM ALU DN 205 22 W 3000 K WT	22.00 W	220...240 V	50/60 Hz	360 mA		11	11	18
DL SLIM ALU DN 205 22 W 4000 K WT	22.00 W	220...240 V	50/60 Hz	360 mA		11	11	18

Product description	Photometrical data			Light technical data	Dimensions & weight				Colors & materials
	Luminous flux	Light color (designation)	Color rendering index Ra	Beam angle	Diameter	Height	Product weight	Mounting diameter	Body material
DL SLIM ALU DN 180 17 W 3000 K WT	1350 lm	Warm White	>80	120 °	192.0 mm	23.0 mm	280.00 g	180.0 mm	Aluminum
DL SLIM ALU DN 180 17 W 4000 K WT	1400 lm	Cool White	>80	120 °	192.0 mm	23.0 mm	280.00 g	180.0 mm	Aluminum
DL SLIM ALU DN 205 22 W 3000 K WT	1850 lm	Warm White	>80	120 °	225.0 mm	23.0 mm	350.00 g	205.0 mm	Aluminum
DL SLIM ALU DN 205 22 W 4000 K WT	1920 lm	Cool White	>80	120 °	225.0 mm	23.0 mm	350.00 g	205.0 mm	Aluminum

Product description	Product color	Cover material	Temperatures & operating conditions	Lifespan			Capabilities	
			Ambient temperature range	Lifespan L70 at 25 °C	Lifespan L80 at 25 °C	Lifespan L90 at 25 °C	Dimmable	Type of connection
DL SLIM ALU DN 180 17 W 3000 K WT	White	Polymethylmethacrylate (PMMA)	-20...40 °C	50000 h	30000 h	15000 h	No	Screwless terminal, 2-Pole
DL SLIM ALU DN 180 17 W 4000 K WT	White	Polymethylmethacrylate (PMMA)	-20...40 °C	50000 h	30000 h	15000 h	No	Screwless terminal, 2-Pole
DL SLIM ALU DN 205 22 W 3000 K WT	White	Polymethylmethacrylate (PMMA)	-20...40 °C	50000 h	30000 h	15000 h	No	Screwless terminal, 2-Pole
DL SLIM ALU DN 205 22 W 4000 K WT	White	Polymethylmethacrylate (PMMA)	-20...40 °C	50000 h	30000 h	15000 h	No	Screwless terminal, 2-Pole

Product description	Certificates & standards		
	Protection class	Type of protection	Luminaire with limited surface temperature, class "D"
DL SLIM ALU DN 180 17 W 3000 K WT	II	IP20	-
DL SLIM ALU DN 180 17 W 4000 K WT	II	IP20	-
DL SLIM ALU DN 205 22 W 3000 K WT	II	IP20	-
DL SLIM ALU DN 205 22 W 4000 K WT	II	IP20	-

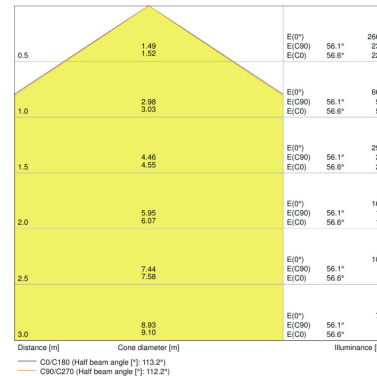
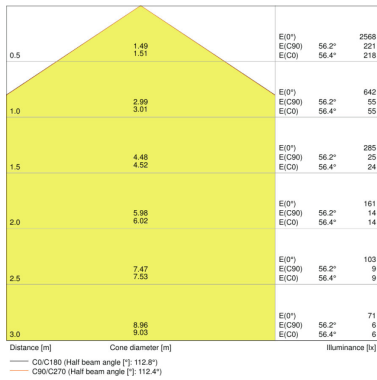


DL SLIM ALU DN 180 17 W 3000 K WT,
DL SLIM ALU DN 180 17 W 4000 K WT

DL SLIM ALU DN 205 22 W 3000 K WT,
DL SLIM ALU DN 205 22 W 4000 K WT

DL SLIM ALU DN 180 17 W 3000 K WT

DL SLIM ALU DN 180 17 W 4000 K WT



DL SLIM ALU DN 205 22 W 3000 K WT

DL SLIM ALU DN 205 22 W 4000 K WT

APPLICATION ADVICE

For more detailed application information and graphics please see product datasheet.

LOGISTICAL DATA

Product code	Packaging unit (Pieces/Unit)	Dimensions (length x width x height)	Gross weight	Volume
4058075063938	Shipping carton box 10	495 mm x 210 mm x 210 mm	3787.00 g	21.83 dm ³
4058075063952	Shipping carton box 10	495 mm x 210 mm x 210 mm	3787.00 g	21.83 dm ³
4058075064010	Shipping carton box 10	495 mm x 245 mm x 245 mm	4766.00 g	29.71 dm ³
4058075064034	Shipping carton box 10	495 mm x 245 mm x 245 mm	4766.00 g	29.71 dm ³

The mentioned product code describes the smallest quantity unit which can be ordered. One shipping unit can contain one or more single products. When placing an order, for the quantity please enter single or multiples of a shipping unit.

REFERENCES / LINKS

For Guarantee see

▶ www.ledvance.com/guarantee

DISCLAIMER

Subject to change without notice. Errors and omission excepted. Always make sure to use the most recent release.