

Date

Name

Client

Project Name

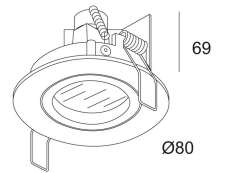
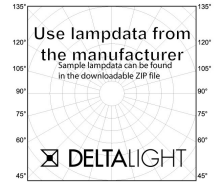
Quote#

Type/Quantity

RINGO S1

202 11 13

[Weblink](#)



Cutout shape/size:	70 mm
Recessed depth:	70 mm
Thickness of mounting surface:	max.15
Available colors:	ALU GREY (202 11 13 A) ALUMINIUM (202 11 13 ALU) WHITE (202 11 13 W)
FIXED	
GX5.3 // 12V // EXCL.TRANSFO	
1 x QR-C51 max.50W	
Class:	III
Weight:	0.1 KG
Protection level:	IP20
Minimum distance:	0,5m
Remarks:	WHITE finish : max. 35W
Options:	TRANSFO
Accessories:	TUBE R

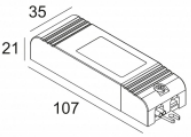
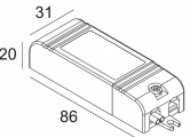
For detailed installation instructions, please consult the manual. [202_11_13_HAND.pdf](#)

RINGO S1

202 11 13

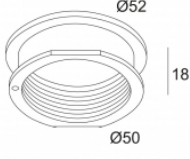
Related references

CONTROL GEAR, BALLAST AND TRANSFORMERS

<p>Weblink / Specs sheet</p>  <p>TRANSFO 100W 200 46 10 220-240V / 50-60Hz</p>	<p>Weblink / Specs sheet</p>  <p>TRANSFO 50W 200 46 06 220-240V / 50-60Hz</p>
---	--

Related references

LIGHT ALTERING DEVICES

<p>Weblink / Specs sheet</p>  <p>TUBE R 202 02 08</p>
--

RINGO S1
202 11 13

Project picture

