

## PRODUCT DATA SHEET

---

Part number 379

---

EAN 4015609000548

Manufacturer WALTHER-WERKE

WEEE-Reg.-Number: DE 22131895

### Product description

---

Waterproof coupler 125A 5P 6h with screw terminal and cable gland



Product Image

### Detailed product description

---

WALTHER Coupler 125A 5P 400V 6h IP67

made from PA6 material

with screw terminal

and cable gland

Increased safety due to injected 2K seal

and two contact screws.





### Ordering Information

---

Order unit	Piece
Customs number	85366990
Net weight	1,644 kg
Packing quantity (VPE)	2
Length of the packaging	0,385 m
Width of the packaging	0,19 m
Depth of the packaging	0,18 m
Gross weight(VPE)	3,49 kg

### Certificates

---

VDE certification	123028	
UL certification	No. E329476	
CQC certification	2004010203136970	
EAC certification	BY112.02.01.020 06101	

## Classification system

---

Classification system	ETIM_6.0
ETIM Class	EC001320

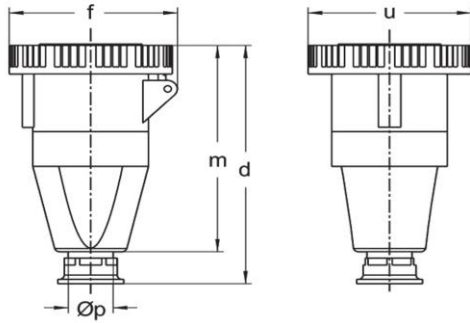
## Technical product data

---

IEC-amperage	125 A
Amperage acc. UL/CSA (for UL-version)	100 A
Number of poles	5
Voltage acc. EN 60309-2	400 V (50+60 Hz) red
Clock hour position	6 h
Identification colour	Red
RAL-number	3000
Degree of protection (IP)	IP67
Connection system	Screwed terminal
Angle of plug	Straight
Cable entry	Swivel
Material	Plastic

## Dimension sheet

---



Amp.	16			63			125		
Pole	3	3	4	5	3	4	5		
d	136	255	255	255	332	332	332		
f	78	117	117	117	130	130	130		
m	121	206	206	206	275	275	275		
u	72	110	110	110	130	130	130		
Øp	7,5-14,5	18-34,5	18-34,5	18-34,5	24-45	24-45	24-45		