

PRODUCT DATA SHEET

Part number 379306SW

EAN 4015609426225

Manufacturer WALTHER-WERKE

WEEE-Reg.-Number: DE 22131895

Product description

Waterproof coupler 125A 3P 6h w.cable glandfor lighting andstage technology



Similar image

Detailed product description

WALTHER Coupler 125A 3P 230V 6h IP67

made from PA6 material

in black

for lighting and stage technology

with screw terminal

with cable gland

and an injected 2K seal

Increased safety due to two contact screws.

Ordering Information

| | |
|-------------------------|----------|
| Order unit | Piece |
| Customs number | 85366990 |
| Net weight | 1,362 kg |
| Packing quantity (VPE) | 2 |
| Length of the packaging | 0,31 m |
| Width of the packaging | 0,255 m |
| Depth of the packaging | 0,15 m |
| Gross weight(VPE) | 2,92 kg |

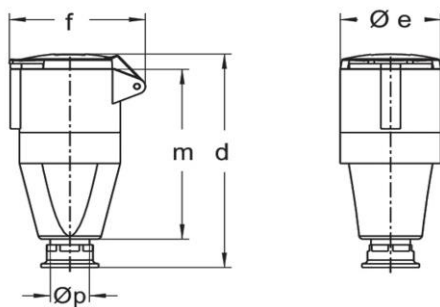
Classification system

| | |
|-----------------------|----------|
| Classification system | ETIM_6.0 |
| ETIM Class | EC001320 |

Technical product data

| | |
|---------------------------------------|-----------------------|
| IEC-amperage | 125 A |
| Amperage acc. UL/CSA (for UL-version) | 100 A |
| Number of poles | 3 |
| Voltage acc. EN 60309-2 | 230 V (50+60 Hz) blue |
| Clock hour position | 6 h |
| Identification colour | Blue |
| Degree of protection (IP) | IP67 |
| Connection system | Screwed terminal |
| Angle of plug | Straight |
| Cable entry | Swivel |
| Material | Plastic |

Dimension sheet



| Amp. | 16 | | | 32 | | | 63 | | |
|------|----------|----------|----------|---------|---------|---------|---------|---------|---------|
| Pole | 3 | 4 | 5 | 3 | 4 | 5 | 3 | 4 | 5 |
| d | 135 | 151 | 151 | 171 | 171 | 171 | 255 | 255 | 255 |
| Øe | 51 | 65 | 65 | 72 | 72 | 72 | 96 | 96 | 96 |
| f | 68 | 85 | 85 | 91 | 91 | 98 | 114 | 114 | 114 |
| m | 110 | 113 | 113 | 136 | 136 | 136 | 194 | 194 | 194 |
| Øp | 7,5-14,5 | 7,5-14,5 | 7,5-14,5 | 10-19,5 | 10-19,5 | 10-19,5 | 18-34,5 | 18-34,5 | 18-34,5 |