

## PRODUCT DATA SHEET

---

Part number	678406
EAN	4015609025206
Manufacturer	WALTHER-WERKE
WEEE-Reg.-Number:	DE 22131895

### Product description

---

Waterproof wall appliance inlet for internal fixing  
 125A 4P 6h with two cable entries both top and  
 bottom with terminal set and pilot contact



Product image

### Detailed product description

---

WALTHER Wall appliance inlet 125A 4P 400V 6h IP67  
 made from PA6 material  
 with 1xM50 and 1xM20 top cable entries  
 with 2xM40 bottom cable entries  
 with terminal set 4x50 qmm  
 and pilot contact  
 for internal fixing



### Ordering Information

---

Order unit	Piece
Customs number	85366990
Net weight	3,005 kg
Packing quantity (VPE)	1
Length of the packaging	0,408 m
Width of the packaging	0,244 m
Depth of the packaging	0,186 m
Gross weight(VPE)	3,295 kg

### Certificates

---

VDE certification	123030	
EAC certification	BY112.02.01.020 06091	

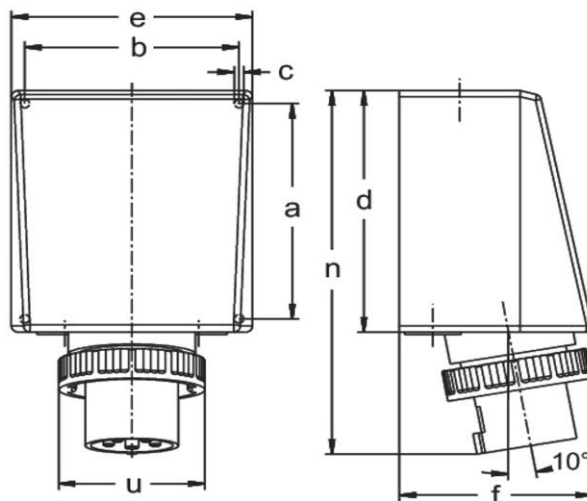
## Classification system

Classification system	ETIM_6.0
ETIM Class	EC001319

## Technical product data

IEC-amperage	125 A
Amperage acc. UL/CSA (for UL-version)	100 A
Number of poles	4
Voltage acc. EN 60309-2	400 V (50+60 Hz) red
Clock hour position	6 h
Identification colour	Red
RAL-number	3000
Degree of protection (IP)	IP67
Connection system	Screwed terminal
Connection type	Wall mounted plug
Angle of plug	Angled
Material	Plastic

## Dimension sheet



Amp.	125		
Pole	3	4	5
a	240	240	240
b	200	200	200
c	7	7	7
d	263	263	263
e	220	220	220
f	175	175	175
n	390	390	390
u	130	130	130
M1	50/20	50/20	50/20
M2	40	40	40