

## PRODUCT DATA SHEET

---

|                   |               |
|-------------------|---------------|
| Part number       | 361306SW      |
| EAN               | 4015609426119 |
| Manufacturer      | WALTHER-WERKE |
| WEEE-Reg.-Number: | DE 22131895   |

### Product description

---

Coupler black 63A 3P 6h with cable gland for lighting and stage technology



Similar image

### Detailed product description

---

WALTHER Coupler 63A 3P 230V 6h IP44  
 made from PA6 material  
 in black  
 for lighting and stage technology  
 with screw terminal  
 with cable gland  
 and an injected 2K seal  
 Increased safety due to two contact screws.

### Ordering Information

---

|                         |          |
|-------------------------|----------|
| Order unit              | Piece    |
| Customs number          | 85366990 |
| Net weight              | 0,656 kg |
| Packing quantity (VPE)  | 5        |
| Length of the packaging | 0,31 m   |
| Width of the packaging  | 0,255 m  |
| Depth of the packaging  | 0,15 m   |
| Gross weight(VPE)       | 3,476 kg |

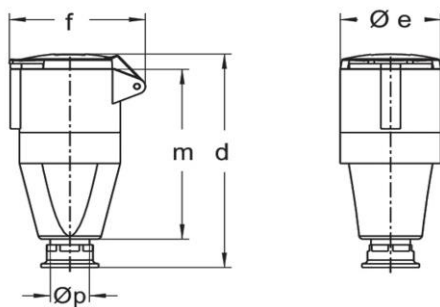
## Classification system

|                       |          |
|-----------------------|----------|
| Classification system | ETIM_6.0 |
| ETIM Class            | EC001320 |

## Technical product data

|                                       |                       |
|---------------------------------------|-----------------------|
| IEC-amperage                          | 63 A                  |
| Amperage acc. UL/CSA (for UL-version) | 60 A                  |
| Number of poles                       | 3                     |
| Voltage acc. EN 60309-2               | 230 V (50+60 Hz) blue |
| Clock hour position                   | 6 h                   |
| Identification colour                 | Blue                  |
| Degree of protection (IP)             | IP44                  |
| Connection system                     | Screwed terminal      |
| Angle of plug                         | Straight              |
| Cable entry                           | Swivel                |
| Material                              | Plastic               |

## Dimension sheet



| Amp. | 16       |          |          | 32      |         |         | 63      |         |         |
|------|----------|----------|----------|---------|---------|---------|---------|---------|---------|
| Pole | 3        | 4        | 5        | 3       | 4       | 5       | 3       | 4       | 5       |
| d    | 135      | 151      | 151      | 171     | 171     | 171     | 255     | 255     | 255     |
| Øe   | 51       | 65       | 65       | 72      | 72      | 72      | 96      | 96      | 96      |
| f    | 68       | 85       | 85       | 91      | 91      | 98      | 114     | 114     | 114     |
| m    | 110      | 113      | 113      | 136     | 136     | 136     | 194     | 194     | 194     |
| Øp   | 7,5-14,5 | 7,5-14,5 | 7,5-14,5 | 10-19,5 | 10-19,5 | 10-19,5 | 18-34,5 | 18-34,5 | 18-34,5 |