

PRODUCT DATA SHEET

Part number 219309

EAN 4015609013111

Manufacturer WALTHER-WERKE

WEEE-Reg.-Number: DE 22131895

Product description

Waterproof plug 16A 3P 9h with cable gland



Similar image

Detailed product description

WALTHER Plug 16A 3P 400V 9h IP67
 made from PA6 material
 with screw terminal and cable gland
 Increased safety due to injected 2K seal
 and two contact screws.




Ordering Information

Order unit	Piece
Customs number	85366990
Net weight	0,133 kg
Packing quantity (VPE)	10
Length of the packaging	
Width of the packaging	
Depth of the packaging	
Gross weight(VPE)	1,33 kg

Certificates

VDE/ENEC certification 40024787



UL certification	No. E329476	
EAC certification	BY112.02.01.020 06090	
CSA certification	70096522	

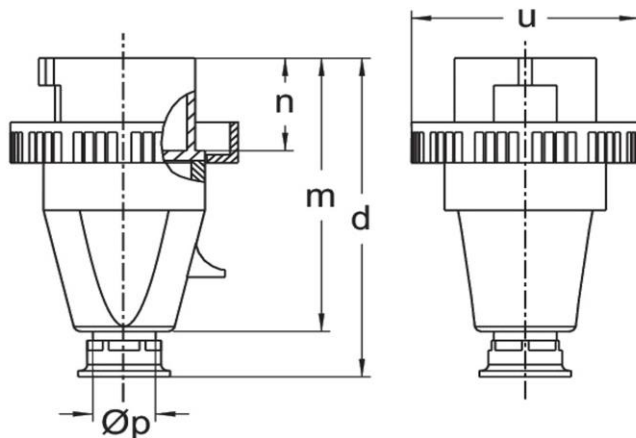
Classification system

Classification system	ETIM_6.0
ETIM Class	EC000140

Technical product data

IEC-amperage	16 A
Amperage acc. UL/CSA (for UL-version)	20 A
Number of poles	3
Voltage acc. EN 60309-2	400 V (50+60 Hz) red
Clock hour position	9 h
Identification colour	Red
RAL-number	3000
Degree of protection (IP)	IP67
Connection system	Screwed terminal
Cable entry	Swivel
Angle of plug	Straight
Material	Plastic

Dimension sheet



Amp.	16	16	32
Pole	3	5	5
d	126	132	156
m	110	114	135
n	37	37	46
u	72	88	103
Øp	7,5-14,5	7,5-14,5	10-19,5