

## PRODUCT DATA SHEET

---

Part number 210409SL

---

EAN 4015609602247

Manufacturer WALTHER-WERKE

WEEE-Reg.-Nr: DE 22131895

### Product description

---

Plug 16A 4P 9h screwless and with external cable gland



Product Image

### Detailed product description

---

WALTHER Plug 16A 4P 230V 9h IP44  
 screwless  
 made from PA6 material  
 with insulation displacement technique  
 and external cable gland  
 Increased safety due to injected 2K seal.

### Ordering information

---

order unit	Piece
customs number	85366990
net weight	0.2 kg
packing quantity (VPE)	10
length of the packaging	0.31 m
width of the packaging	0.163 m
depth of the packaging	0.113 m
gross weight(VPE)	2.112 kg



### Conformities

---

CE conformity	√
RoHS directive	2011/65/EU
RoHS directive	2015/863/EU
REACH regulation	1907/2006

## Certification

---

VDE/ENEC certification	40024787	
EAC certification	BY112.02.01.020 06090	

## Classification system

---

classification system	ETIM_7.0
ETIM Class	EC000140

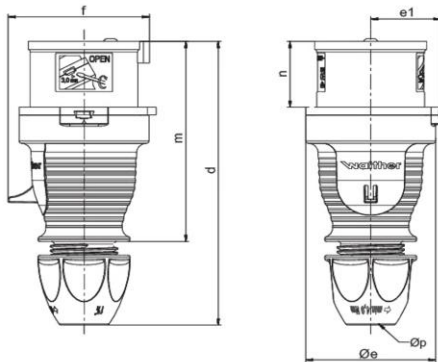
## Technical product data

---

IEC-ampereage	16 A
Number of poles	4
Voltage according to EN 60309-2	230 V (50+60Hz) blue
Clock hour position	9 h
Identification colour	Blue
Conductor cross-section	1 - 2.5 mm <sup>2</sup>
Cable diameter	7.5 - 18.5 mm
Cable strip length	40 mm +/- 5 mm
Maximum torque cable gland	4 Nm
Degree of protection (IP)	IP44
Connection system	Screw less terminal
Contact material	Brass standard
Cable entry	Swivel
Angle of plug	Straight
Material	Plastic
Inflammability class of insulation material according to with UL94	V2

## Dimension sheet

---



Amp.	16	16	32	32	32
Pole	4	5	3	4	5
d	150-161	150-161	173-185	173-185	174-183
Øe	65	65	72	72	72
e1	35	35	38,5	38,5	38,5
f	63	71	75	75	83
m	111	111	128	128	128
n	37	37	45,5	45,5	45,5
Øp	7,5 - 18,5	7,5-18,5	10 - 22,5	10 - 22,5	10 - 22,5