

Colour video entrance panel with wide angle camera and proximity reader

Description

2 WIRE wall-mounted pushbutton panel with zamak front cover, wide angle colour camera and proximity reader. White LEDs for the lighting of the shooting field in low light conditions. Can be configured for one-family or two-family installations. Can open an electrical door lock directly connected between S+ and S- clamps (18 V 4 A impulsive, 250 mA holding current, 30 Ohm max). It can manage a maximum of 20 key cards (125 KHz) for the electric door lock release (including the one for the system management). Nameplate lit by white LED.

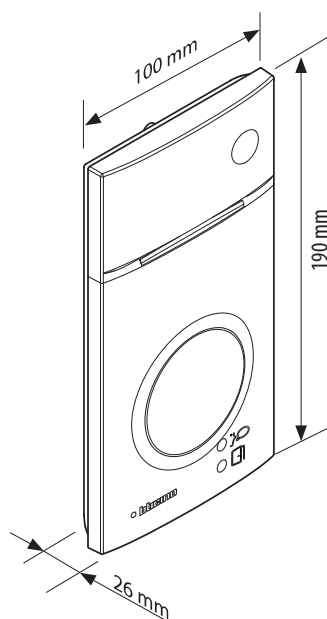
Correlated devices

- BT-343051 - Rainshield
- BT-343061 - Flush mounted accessory
- BT-350020 - 2-module flush mounted box
- BT-348260 - Bag of door lock release key cards
- BT-348261 - Bag of door lock release clear discs

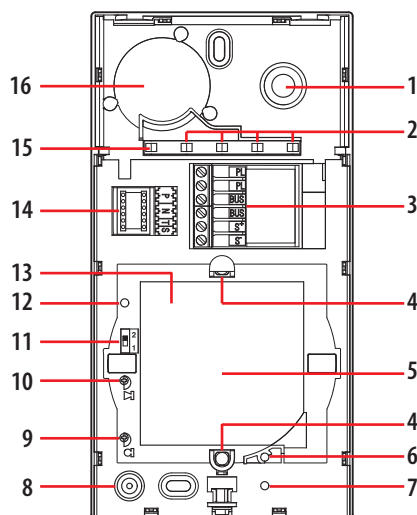
Technical data

Power supply from SCS BUS:	18 – 27 Vdc
Stand by absorption (with backlighting LEDs off):	30 mA
Stand by absorption (with backlighting LEDs on):	40 mA
Max. operating absorption:	265 mA
Colour sensor:	da 1/3"
Lens:	F 2,35 mm f 2,2
Viewing angle:	~ 110° sulla diagonale
Resolution:	330 linee TV (orizzontali)
Viewing field lighting:	LED bianchi
Brightness adjustment:	Automatica
Interface:	2:1
Key card operating frequency	125 KHz
Operating temperature:	(-25) – (+70) °C
Protection index:	IP 54
Protection index against mechanical impact:	IK 10

Dimensional data



Front view without panel



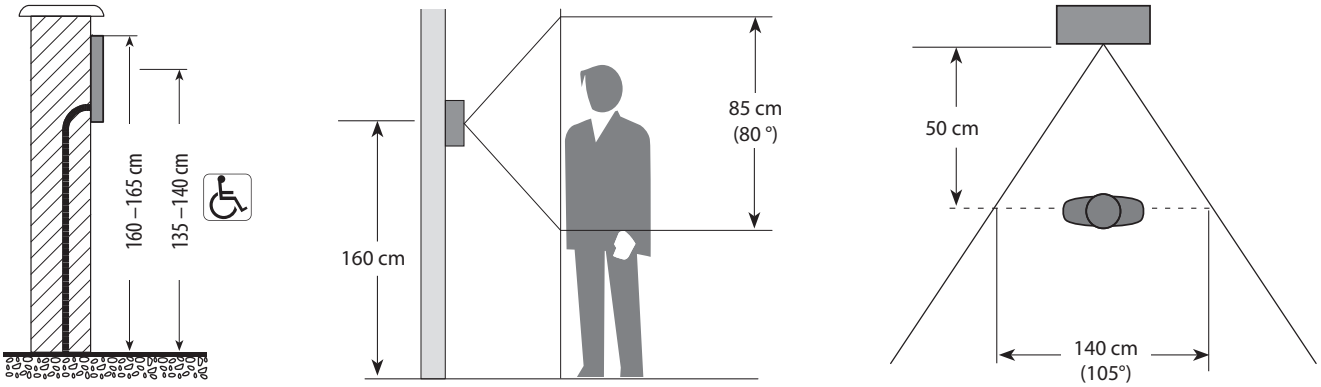
Legend

1. Camera
2. LED for the shooting field lighting
3. BUS connection clamps, door lock and local door release pushbutton
4. Call pushbuttons
5. Key card reader aerial
6. Active connection notification LED
7. Open door notification LED
8. Microphone
9. Microphone volume adjustment
10. Loudspeaker volume adjustment
11. Switch
 - 1=one-family
 - 2=two-family
12. Key card programming pushbutton / Reset
13. LED panel for call pushbutton lighting
14. Configurator socket
15. Brightness sensor for automatic activation of the night lighting
16. Loudspeaker

Colour video entrance panel with wide angle camera and proximity reader

Installation and camera shooting range

The camera must not be installed in front of large light sources, or in places where the subject viewed remains in deep shadow. In poor lighting conditions cameras with colour are less sensitive than black/white cameras. An extra lighting source should be added in poorly lit rooms.



Configuration

The device must be (only physically) configured as follows:

P - entrance panel number

The configurator connected to the P housings of the speaker module assigns to the same an identification number within the system.

The numbering of the entrance panels must always start from P=0.

The entrance panel configured with P=0 must be a common (or main) entrance panel.

N - call number

Assigns the correspondence between the entrance panel pushbuttons and the audio handsets or video handsets. In the common entrance panels made with pushbutton modules, 1 must be inserted in N of the speaker module. The number of the first riser handset must be inserted in the local entrance panels in N.

T - door lock relay timing

configurator number	1	2	3	4*	5	6	7
0= No configurator							
4 sec.	1 sec.	2 sec.	3 sec.	**	6 sec.	8 sec.	10 sec.

* **Operation as pushbutton for 10 sec. max**, after which standby mode is activated. To extend operation time over 10 seconds, use actuator 346210 configured with MOD=5.

** **As pushbutton from Internal Unit or local Pushbutton.**
4Sec. with release using resident Key cards.

S - type of call signal

S configuration sets the internal unit call tone and the enabling/disabling of the door lock release notification tone generated by the entrance panel.

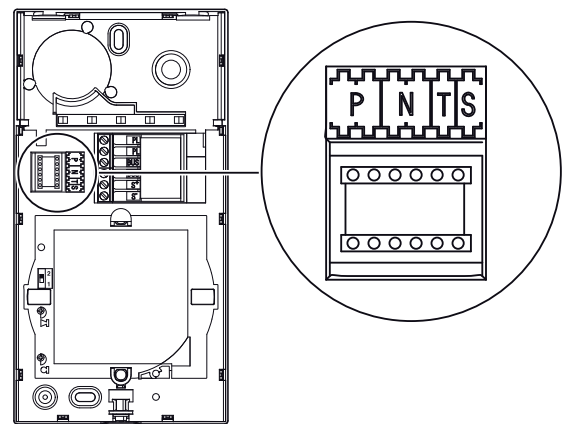
One can thus differentiate the calls from different entrance panels.

Table (with door lock tone enabled) for Sprint L2 internal unit call signal

Configurator	0	1	2	3
Type of bell	2-tone	2-tone	2-tone	One-tone
	1200Hz	1200Hz	1200Hz	1200Hz
	600Hz	0 Hz	2400Hz	

Table (with door lock tone disabled) for Sprint L2 internal unit call signal

Configurator	4	5	6	7
Type of bell	2-tone	2-tone	2-tone	One-tone
	1200Hz	1200Hz	1200Hz	1200Hz
	600Hz	0 Hz	2400Hz	



For the Classe 100 and Classe 300 internal units, the S configurator associates the entrance panel to the bell programmed in the internal unit.

Configurator	0	1	2	3	Door lock tone enabled
Configurator	4	5	6	7	Door lock tone disabled

In one-family systems S= 9 (door lock tone enabled) or S= 8 (door lock tone disabled) configure the General Call and make the internal unit ring, as with S= 0 or S= 4